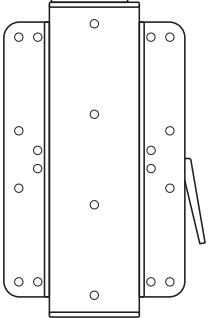
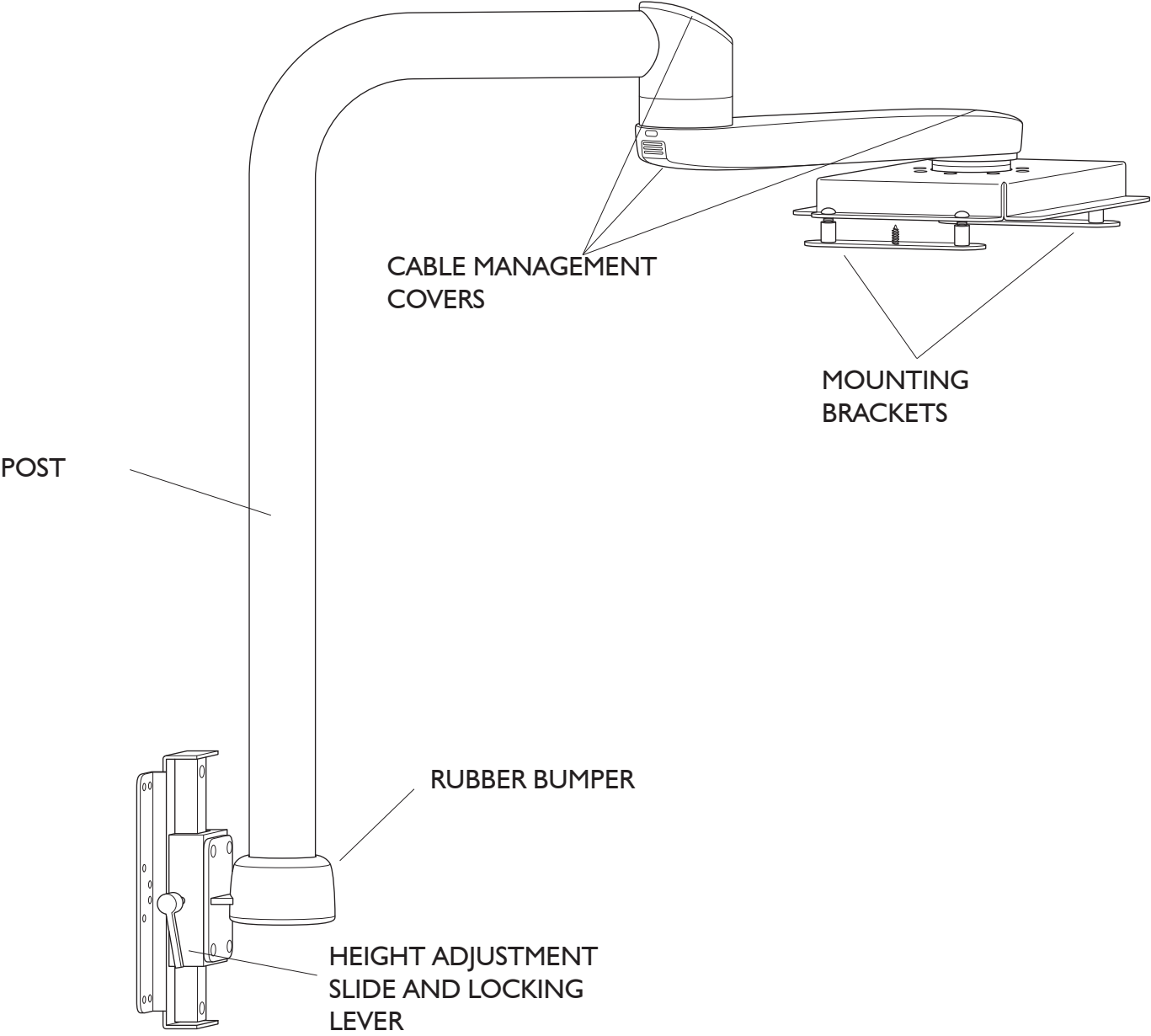


MONITOR MOUNT
Installation and Use
Instructions



OVERVIEW



INTRODUCTION

BEFORE YOU BEGIN

Study the overview and dimensional specifications. Make sure the planned location will have the necessary space available for installation, including room for all of the operatory equipment.

Locate all documentation supplied with the package. Manuals and installation sheets may be found in one or more boxes accompanying their respective components. Set aside the Instructions For Use for the end user to review.

TABLE OF CONTENTS

Overview	2
Introduction	3
Views	4
Installation	5
Cable Routing and Tensioning	6
Cable Management	7

SYMBOLS USED IN THIS MANUAL

The following symbols may be used throughout this product manual:



WARNING: Failure to carefully follow the described procedure may result in damage to the equipment or the operator.



CAUTION: Failure to carefully follow the described procedure may result in damage to the equipment.



NOTE: Take note of additional important information. Not a warning or caution.



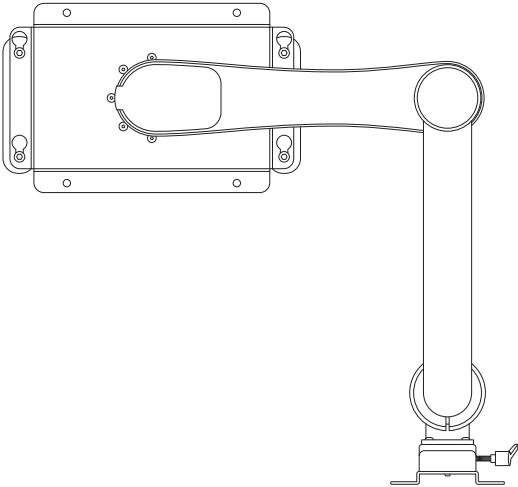
ELECTRICAL HAZARD: Risk of electrical shock present. Ensure that power is disconnected before attempting procedure.

REGULATORY INFORMATION

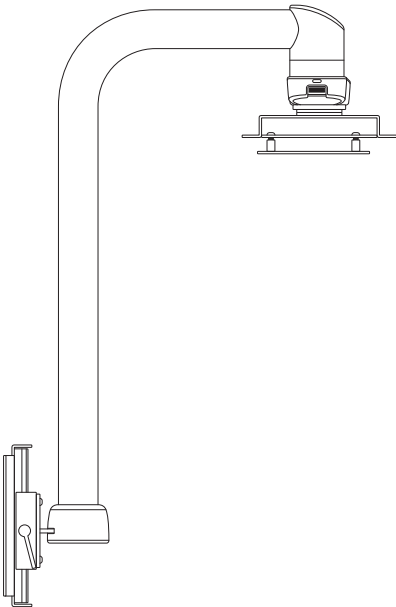
Regulatory information is delivered with DCI Edge dental equipment as mandated by agency requirements and can be found in the accompanying Instructions For Use for this device.

VIEWS

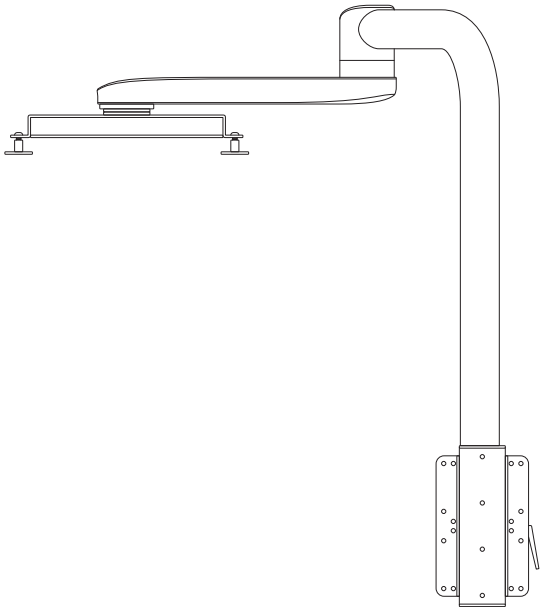
TOP VIEW



SIDE VIEW



FRONT VIEW



INSTALLATION

MOUNTING REQUIREMENTS

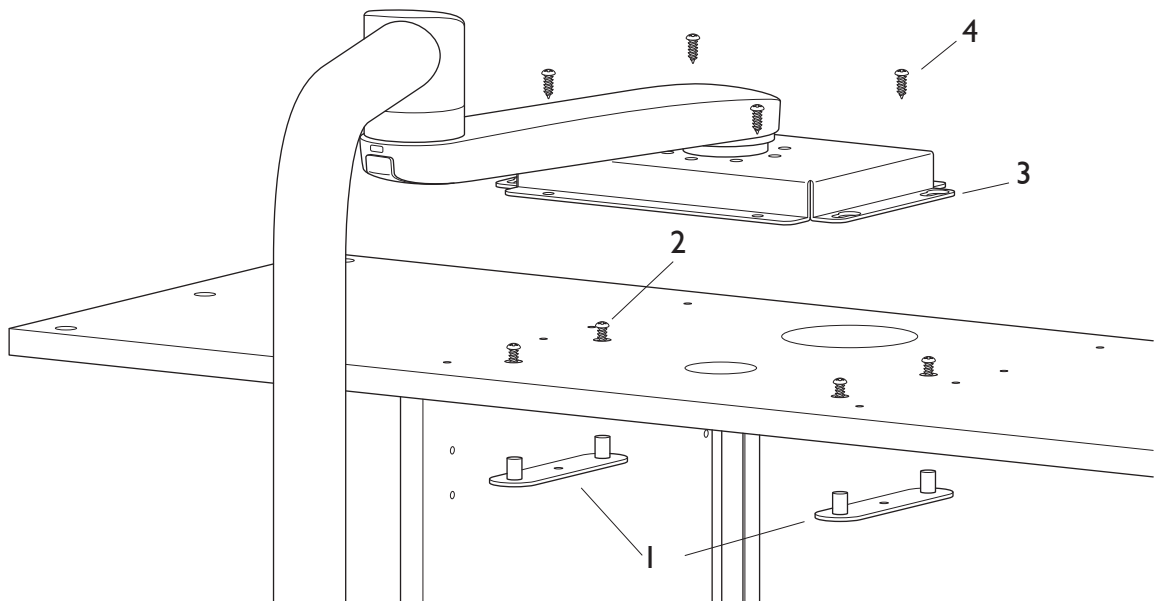
1. This monitor mount can only be mounted to a cabinet structure which can support 105 pounds.
2. The cabinet structure must be securely fastened directly to a wall.
3. Monitor/accessory weight must not exceed 15 lbs.



WARNING: Failure to comply with the above requirements may result in injury and damage to equipment.

ASSEMBLE TO CABINET

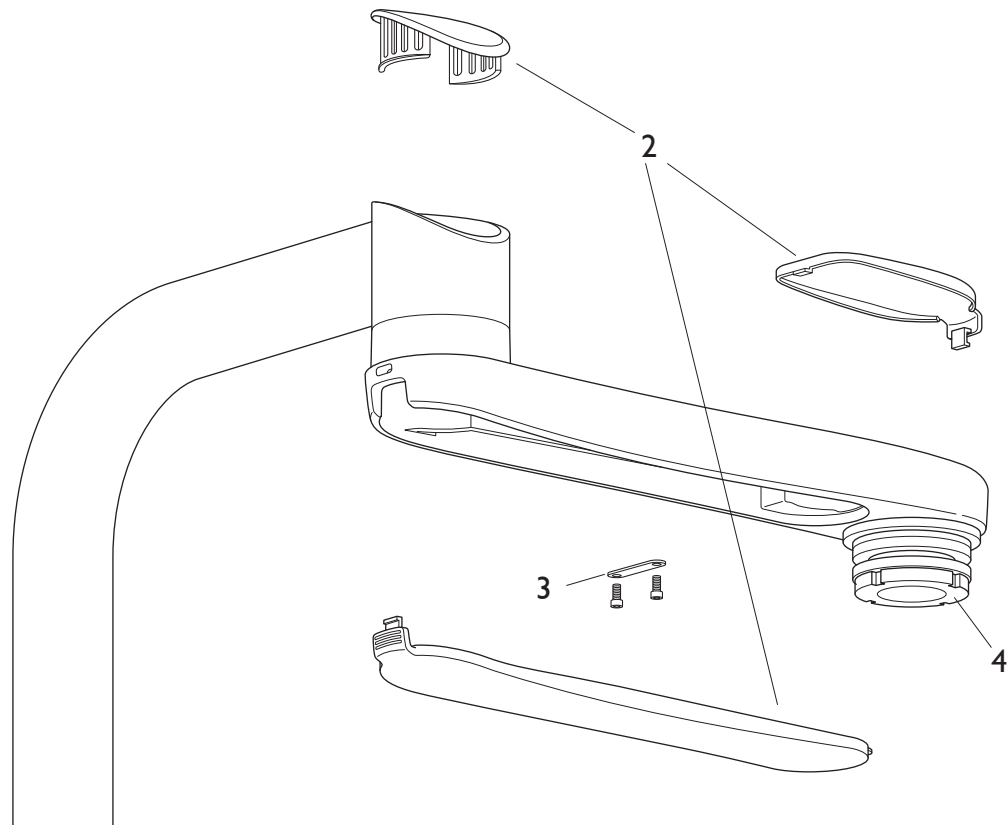
- 1 Attach the mounting brackets with one wood screw each to the underside of the upper cabinet module as shown. The studs of the mounting bracket should insert into holes in the top panel of the cabinet. See drill template pn 67493 if you are not mounting to a CR5500 cabinet structure.
- 2 Add the 4 1/4"-20 screws to the threaded studs, engaging just the first few threads.
- 3 Place the monitor mount on top of the cabinet, aligning the keyhole slots to the 4 screws, and slide until the heads of the screws engage over the slots.
- 4 Tighten the 4 screws done to the flanges and then add the 4 short wood screws to the remaining 4 holes from above.



CABLE ROUTING AND TENSION ADJUSTMENT

FEATURES

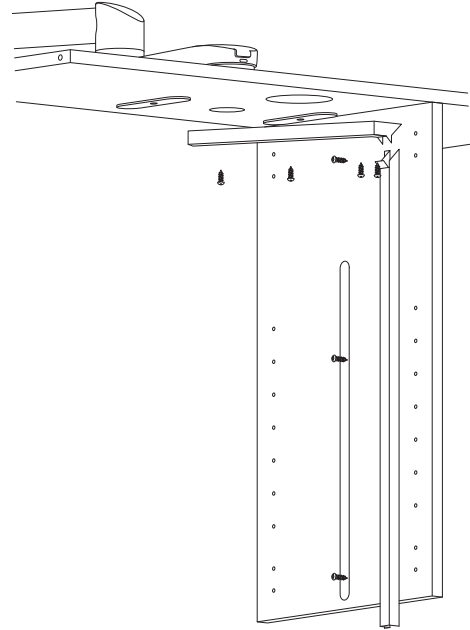
1. The cabinet monitor mount includes plastic covers which allow for cable management through the arms.
2. Remove the plastic covers to route the cables through the hole in the mount and into the upper cabinet module.
3. Use the cable strap to keep the cable managed inside the channel.
4. Tension the pivots by removing the plastic cover, removing the thread locking screw, and then tightening or loosening the nut with a hex wrench inserted into the hex shaped hole. (see right) Once the adjustments are complete, replace the thread locking screw to maintain a consistent tension during use.



CABLE MANAGEMENT

SUPPORT WALL & LOWER CABINET

1 After routing the video and electrical cables into the center section of the upper cabinet, attach the cable management channels to the upper and left side surface as shown using the wood screws provided.



2 Add the shelf with a notch in the corner (provided with the monitor mount assembly).

