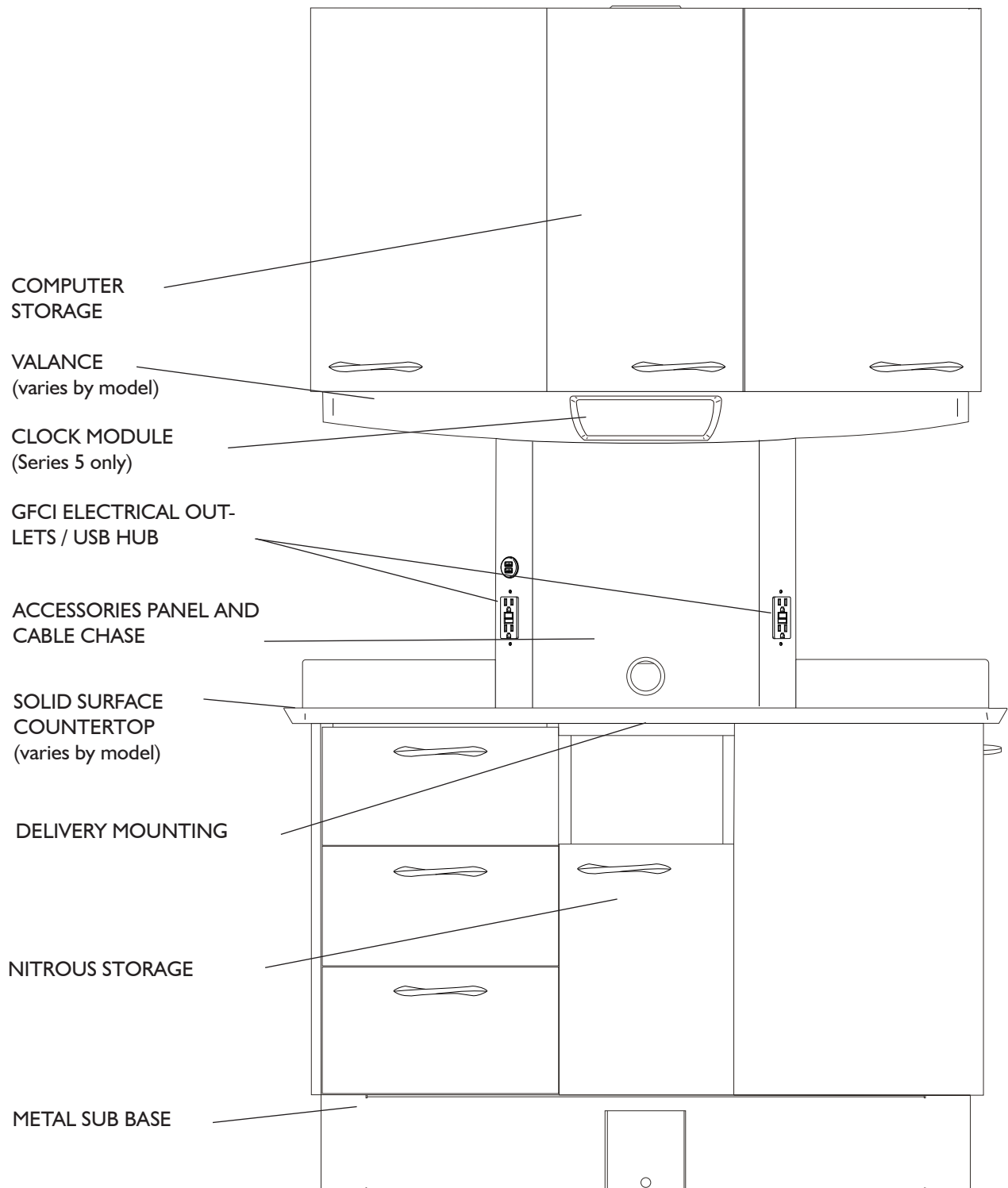


SERIES 4 & SERIES 5 12 O’CLOCK CABINET

OVERVIEW

Models:

CE4-36, CE4-36L, CE4-42, CE4-42L, CE5-36, CE5-36L, CE5-42, CE5-42L, CR4000, CR4001, CR4020, CR4300, CR4301, CR4320, CR5000, CR5001, CR5002, CR5020, CR5100, CR5200, CR5300, CR5301, CR5302, CR5320



INTRODUCTION

BEFORE YOU BEGIN

Study the overview and dimensional specifications. Make sure the planned location will have the necessary space available for installation, including room for all of the operatory equipment.

Open all containers and review the contents. It may be helpful to locate all kits containing components and accessories for installation.

Locate all documentation supplied with the package. Manuals and installation sheets may be found in one or more boxes accompanying their respective components. Set aside the Instructions for Use for the end user to review.

Check local and state codes which pertain to the installation of this product and make adequate preparations for proper conformance to all requirements.

TABLE OF CONTENTS

Overview	2
Introduction	3
Dimensional Specifications	4
Preparation	10
Installation	11
Door and Drawer Alignments	19
Electrical Outlets (Series 5 Only)	20

SYMBOLS USED IN THIS MANUAL

The following symbols may be used throughout this product manual:



WARNING: Failure to carefully follow the described procedure may result in serious damage to the equipment, or serious injury or harm to the operator.



CAUTION: Failure to carefully follow the described procedure may result in damage to the equipment.



NOTE: Take note of additional important information. Not a WARNING or CAUTION.



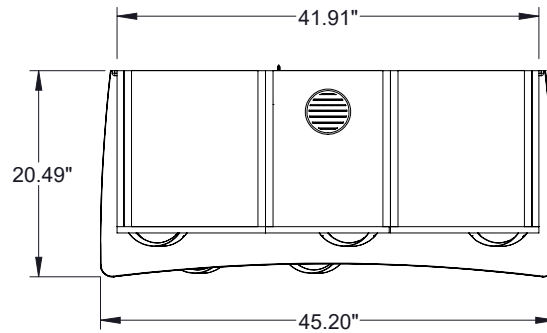
ELECTRICAL HAZARD: Risk of electrical shock present. Ensure that power is disconnected before attempting this procedure.

DIMENSIONAL SPECIFICATIONS

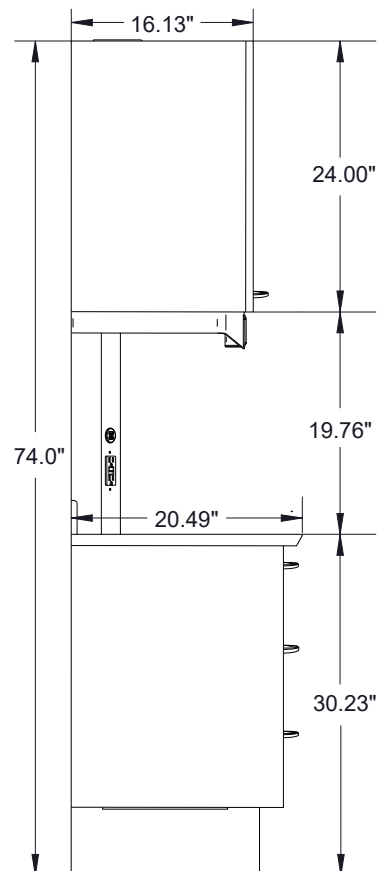
Applicable models: CR5000, CR5001, CR5002, CR5020, CE5-42, CE5-42L

This page takes the example of CR5000 to show top view, side view and front view of corresponding models.

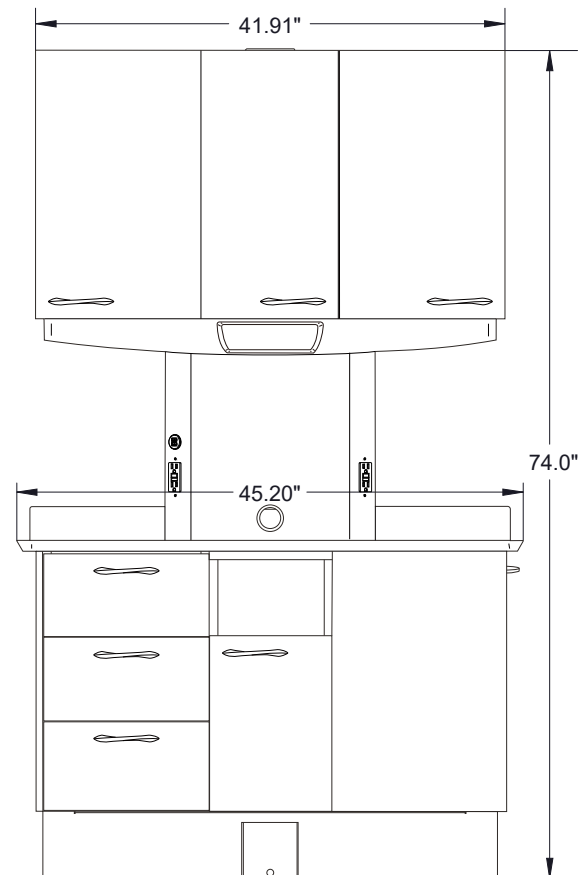
TOP VIEW



SIDE VIEW



FRONT VIEW

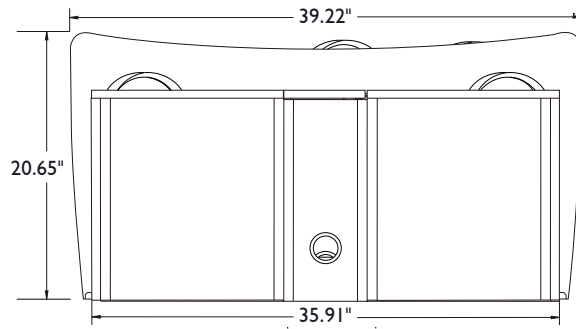


DIMENSIONAL SPECIFICATIONS

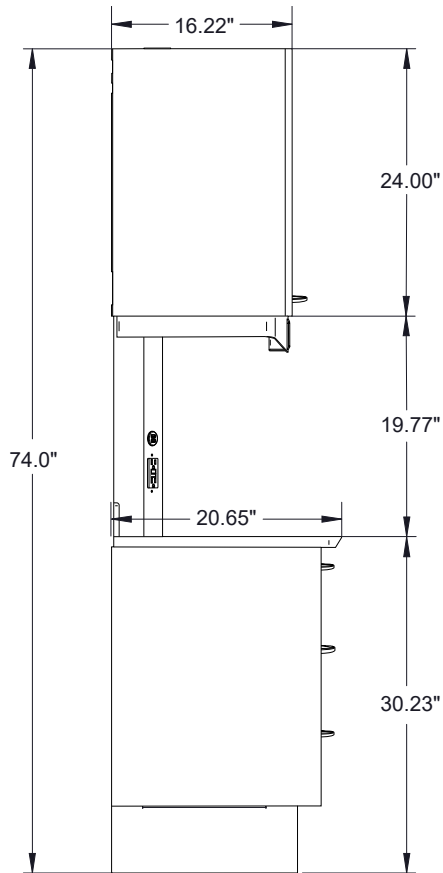
Applicable models: CR5300, CR5301, CR5302, CR5320, CE5-36, CE5-36L

This page takes the example of CR5300 to show top view, side view and front view of corresponding models.

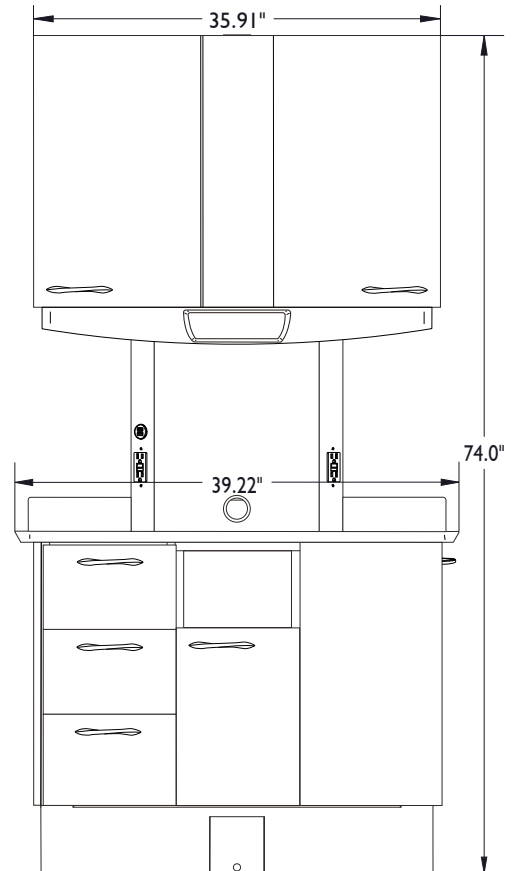
TOP VIEW



SIDE VIEW



FRONT VIEW

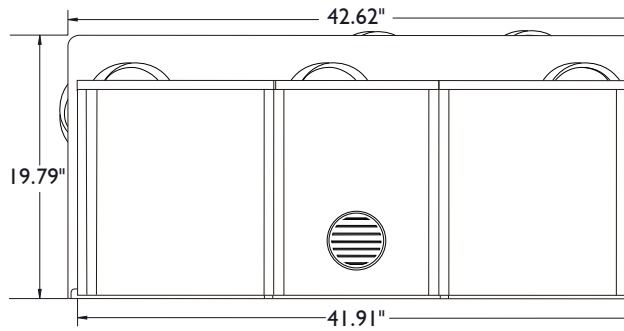


DIMENSIONAL SPECIFICATIONS

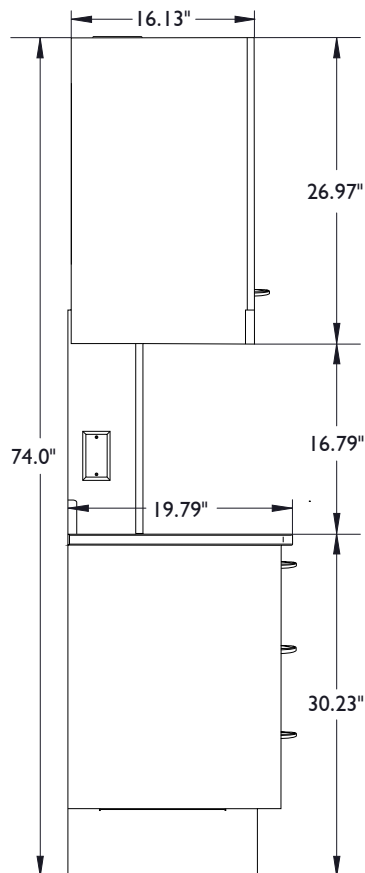
Applicable models: CR4000, CR4001, CR4020, CE4-42, CE4-42L

This page takes the example of CR4000 to show top view, side view and front view of corresponding models.

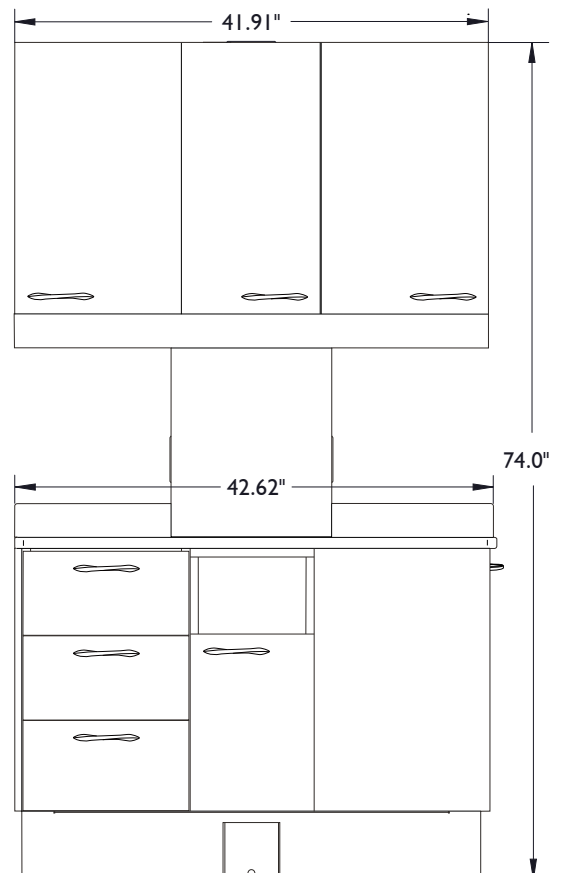
TOP VIEW



SIDE VIEW



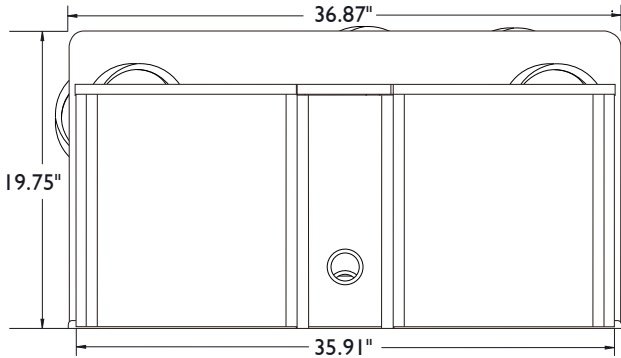
FRONT VIEW



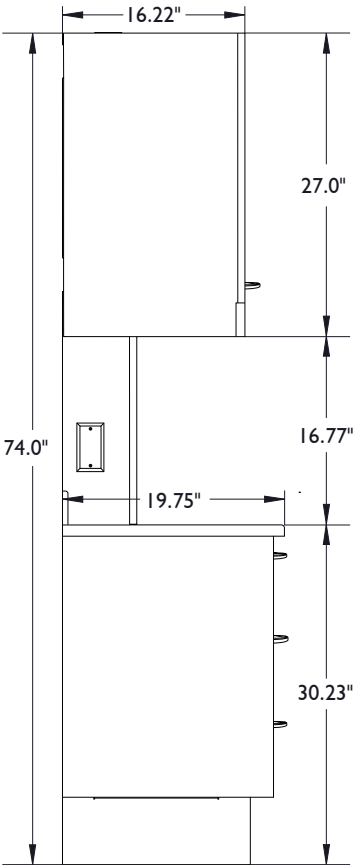
DIMENSIONAL SPECIFICATIONS

Applicable models: CR4300, CR4301, CR4320, CE4-36, CE4-36L
This page takes the example of CR4300 to show top view, side view and front view of corresponding models.

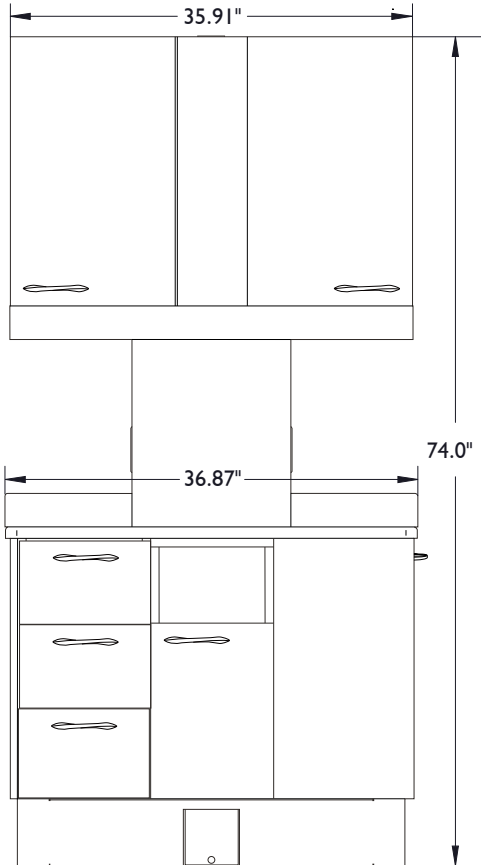
TOP VIEW



SIDE VIEW



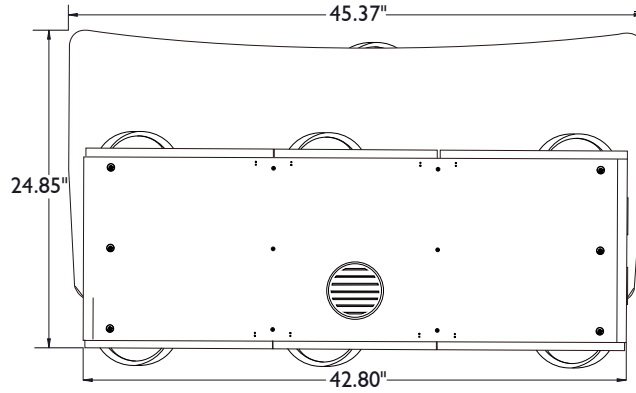
FRONT VIEW



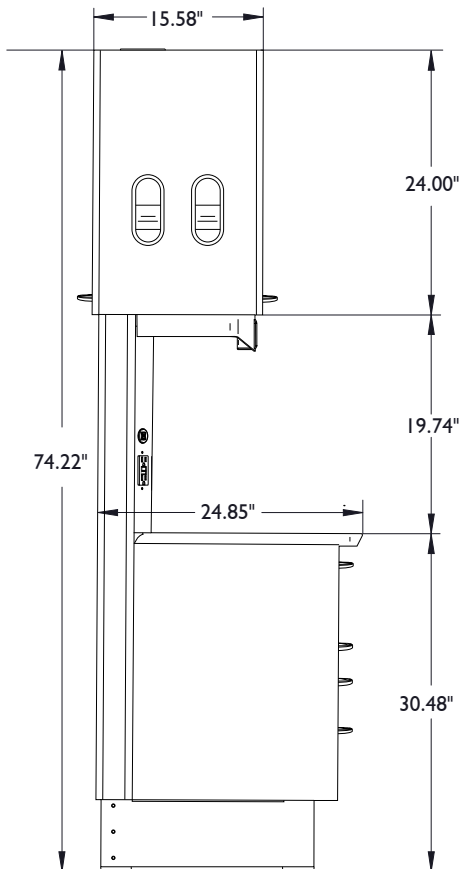
DIMENSIONAL SPECIFICATIONS

Applicable model: CR5100

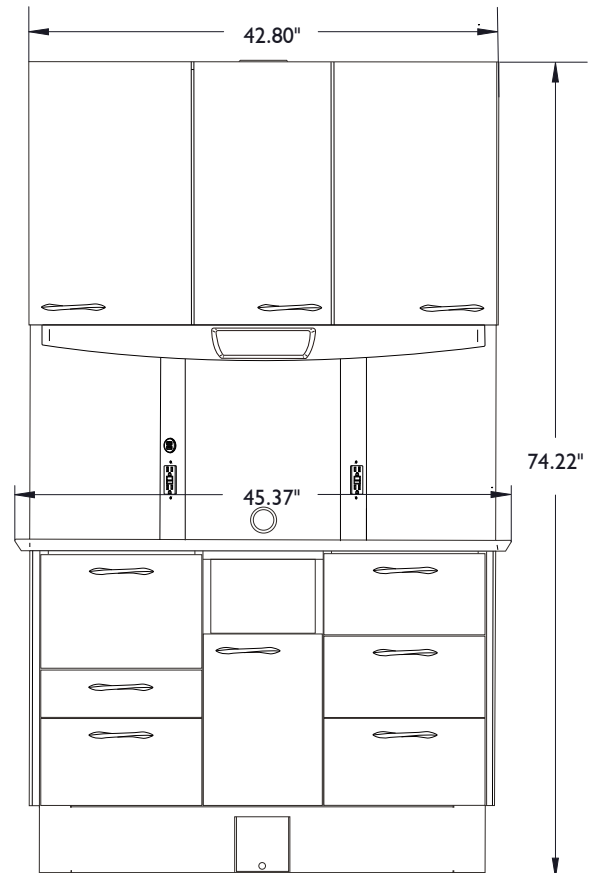
TOP VIEW



SIDE VIEW



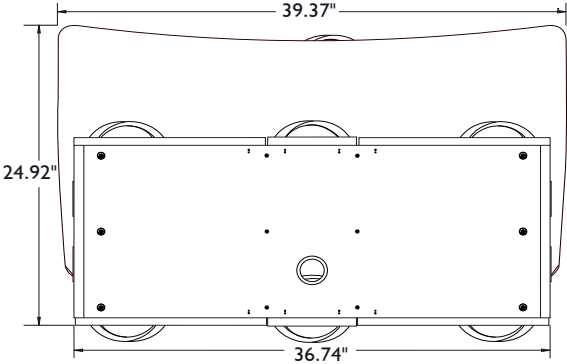
FRONT VIEW



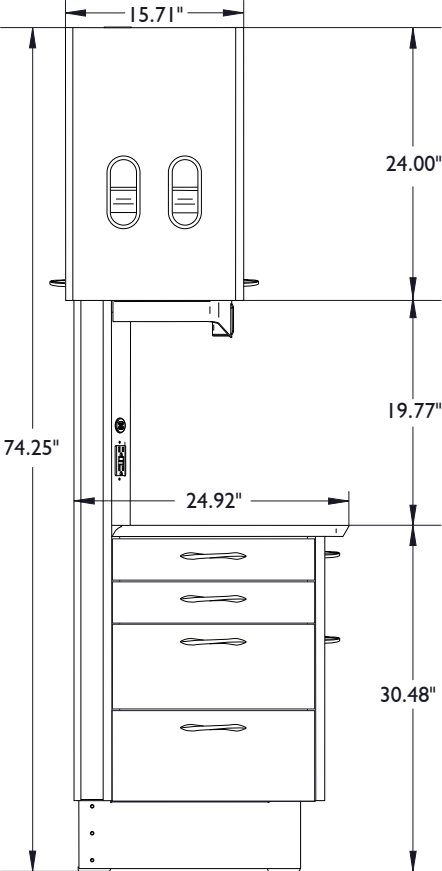
DIMENSIONAL SPECIFICATIONS

Applicable model: CR5200

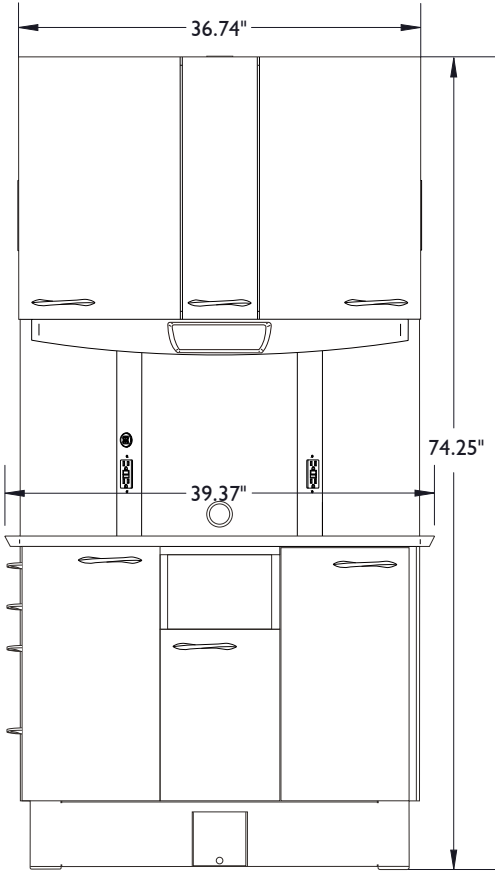
TOP VIEW



SIDE VIEW



FRONT VIEW



PREPARATION

PRE-STEPS

- 1 Lay the installation template over plumbing stub-ups and check the position in the operatory.
- 2 Install air and water shut-off valves (not supplied).
- 3 Install 4" x 4" electrical connection box.
- 4 Mark the cabinet mounting points according to the template.
- 5 Remove cabinet modules from their packaging.
- 6 Identify the hardware kits and provided literature.



WARNING: Always lift cabinets by the bottom edge, being careful to lift with your legs and not your back. Do not lift from the underside of the counter.

AIR

- Pipe: 1/2" n.p.t. Protruding 1" from the floor. Supplied by contractor.
- Air supply: pressure 80-100 psi. Air should be free from contaminants.

WATER

- Pipe: 1/2" n.p.t. Protruding 1" from the floor. Supplied by contractor.
- Water supply: pressure 40-80 psi. Water should be flushed clean before connecting to this equipment.

ELECTRICAL

- Electrical: 4" x 4" x 2-1/8" Electrical Connection Box with 1/2" conduit knockouts.
- Wire box as per local code with top of the box no higher than 4-1/2" above finished floor.
- Voltage: 115 VAC, 3 wire.



CAUTION: Electrical utilities must be installed according to local codes and by a licensed electrician.

See "Electrical Outlets (Series 5 Only)" on page 20.

CENTRAL VACUUM

- Pipe: supplied by contractor. Terminated with 5/8" OD tube protruding 1" from the finished floor.

INSTALLATION

INSTALLING WALL HANGING RAIL



NOTE: For cabinets which include a Support Wall, skip to the next page.

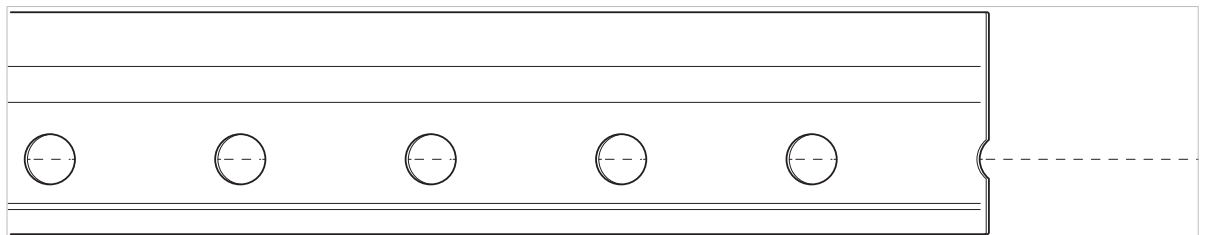
- 1 Identify the location of the wall studs in the wall to which the cabinet will be mounted and make a mark 71-1/2" from the floor at the center of each stud.



NOTE:

- 71-1/2" for the 24" Upper (for 74" Tall Cabinet).
- 77-1/2" for the 30" Upper (for 80" Tall Cabinet).

- 2 Identify the vertical centerline of the cabinet position on the wall, and make a mark on the centerline which is 71-1/2" from the floor (depending on the Upper dimension as stated in the **NOTE** above). Draw a level, horizontal line at the height of your centerline mark.
- 3 Locate the 40" hanging rail for the 42" 12 O'Clock cabinet (or 34" hanging rail for the 36" 12 O'Clock cabinet) and place it against the wall with the hole centers of rail aligned with the horizontal line.
- 4 Find the midpoint on the hanging rail and align it with your centerline mark. Identify the holes in the hanging rail which align to the marks you made for your studs. Keep the rail midpoint as close to the centerline mark as possible.
- 5 Mount the rail to the wall using the lag screws provided. Use toggle bolts between studs to maximize strength as necessary.



INSTALLATION

INSTALLING LOWER CABINET - WALL MOUNTED CABINET



NOTE: The instructions in current section only apply to wall-mounted cabinets.

- 1 Position lower cabinet in its final location in the installation area.
- 2 Level the cabinet with the levelers (right, item 1) included.



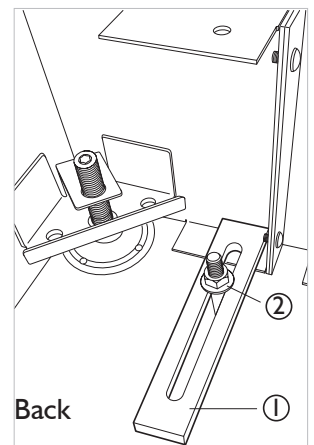
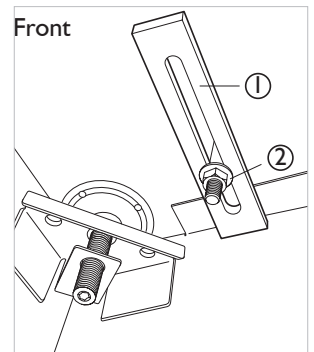
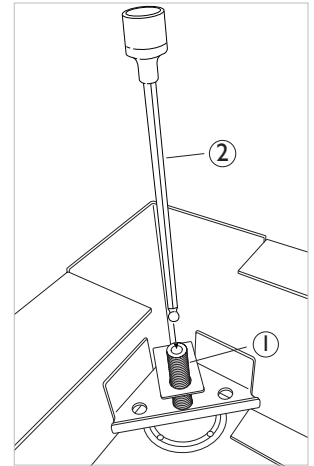
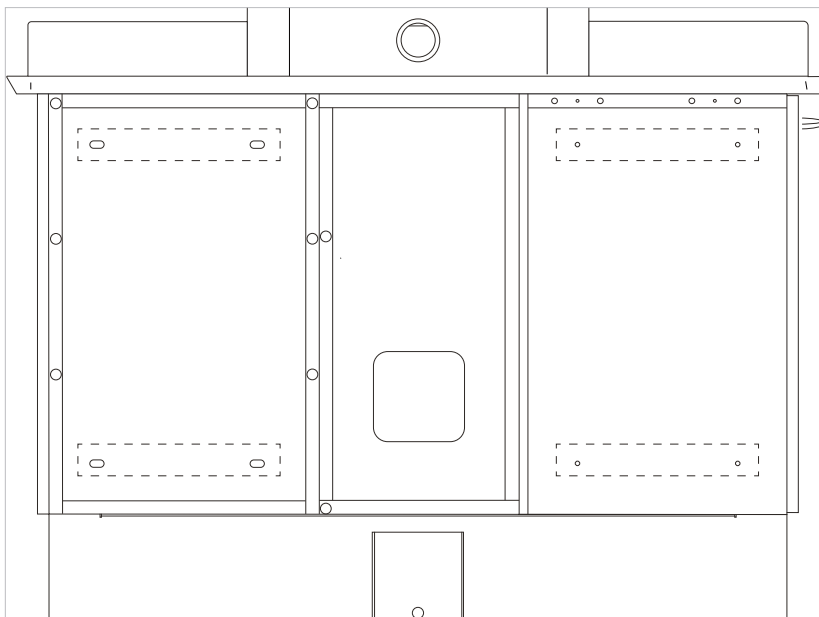
NOTE: There are four levelers (in the four corners of the Metal Sub Base) in total. To access the levelers, open the door and lift the shelf on the bottom (for door module) to see the access cutout, or take out all drawers (for drawer module) to see the access cutout. There are access holes in the bottom panels of the cabinet for the 5mm Hex tool provided (right, item 2).

- 3 Position the provided Floor Mount Bracket (right, item 1) inside the base, overlapping the bottom flange. Insert the 3/8" lag bolt (for wood floor) (right, item 2) or 3/8" anchor (for concrete floor) through the slot in the Floor Mount Bracket and drive the lag bolt into the floor to secure the Metal Sub Base to the floor.



NOTE: Install Floor Mount Brackets at four corners of the Metal Sub Base. Refer to right images for installation at the front corners and back corners.

- 4 Attach the Lower Cabinet to the Wall using the wood screws provided (see image below).



INSTALLATION

INSTALLING THE SUPPORT WALL & LOWER CABINET - WALL MOUNTED CABINET WITH SEPARATE SUPPORT WALL



NOTE: If a wall-mounted cabinet (such as CR4000) is ordered with the support wall to make it a freestanding cabinet, follow the instructions in this section.

- 1 Secure the Support Wall.
 - a. Position the Support Wall in its final location in the installation area.
 - b. With a helper, screw down the 3/8" anchor (for concrete floor) or 3/8" lag bolt (for wood floor) through the 1/2" holes in the bottom of the Support Bracket to mount the Support Wall to the floor (see right).

- 2 Align the back face of the Lower Cabinet to the Support Wall.



NOTE: Be sure the Lower Cabinet is centered against the Support Wall.

- 3 Level the cabinet with the levelers (right, item 1) included.



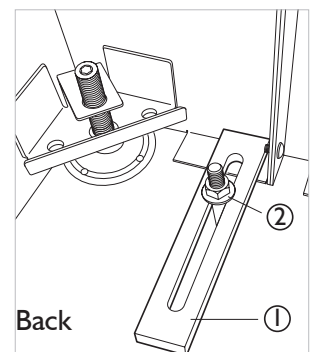
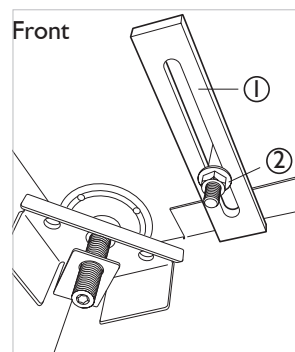
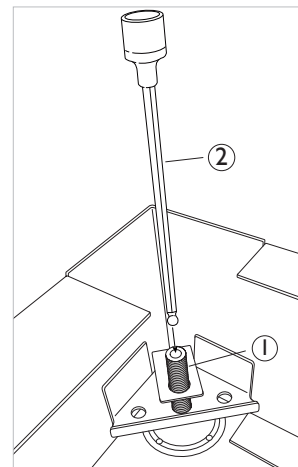
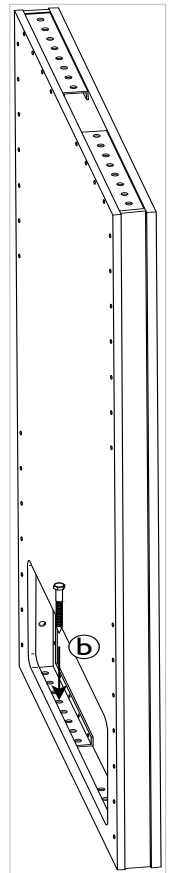
NOTE: There are four levelers (in the four corners of the Metal Sub Base) in total. To access the levelers, open the door and lift the shelf on the bottom (for door module) to see the access cutout, or take out all drawers (for drawer module) to see the access cutout. There are access holes in the bottom panels of the cabinet for the 5mm Hex tool provided (right, item 2).

- 4 Position the provided Floor Mount Bracket (right, item 1) inside the base, overlapping the bottom flange. Insert the 3/8" lag bolt (for wood floor) or 3/8" anchor (for concrete floor) (right, item 2) through the slot in the Floor Mount Bracket and drive the lag bolt into the floor to secure the Metal Sub Base to the floor.



NOTE: Install Floor Mount Brackets at four corners of the Metal Sub Base. Refer to right images for installation at the front corners and back corners.

- 5 Attach the Lower Cabinet to the Support Wall using the wood screws provided (see image in step 4 on page 12).



INSTALLATION

INSTALLING THE SUPPORT WALL & LOWER CABINET - FREESTANDING CABINET



NOTE: This section applies to the freestanding cabinet (such as CR5100 and CR5200), which is delivered with the lower modules already attached to the Support Wall.

- 1** Position lower cabinet with freestanding wall in its final location in the installation area.
- 2** Level the cabinet with the levelers (right, item 1) included.



NOTE: There are four levelers (two in the front corners and two in the back corners of the Metal Sub Base) in total. To access the levelers, open the door and lift the shelf on the bottom (for door module) to see the access cutout, or take out all drawers (for drawer module) to see the access cutout. There are access holes in the bottom panels of the cabinet for the 5mm Hex tool provided (right, item 2).

- 3** Position the provided Floor Mount Bracket (right, item 1) inside the base, overlapping the bottom flange of the Sub Base frame. Insert the 3/8" lag bolt (for wood floor) (right, item 2) or 3/8" anchor (for concrete floor) through the slot in the Floor Mount Bracket and drive the lag bolt into the floor to secure the Metal Sub Base to the floor.

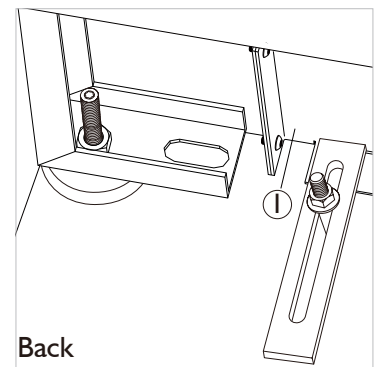
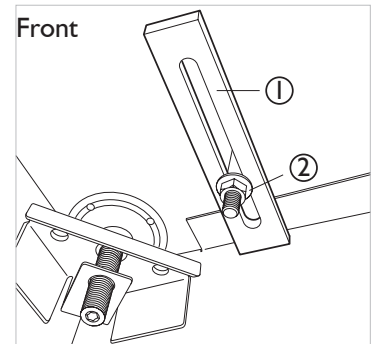
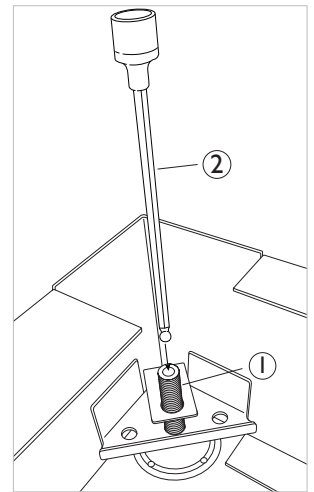


NOTE: This step only applies to the two front corners of the Metal Sub Base.

- 4** Position the Floor Mount Bracket on the lip of the Access Panel (right, item 1) or the foot of the Support Bracket. Insert the 3/8" lag bolt (for wood floor) or 3/8" anchor (for concrete floor) through the slot in the Floor Mount Bracket and drive the lag bolt into the floor to secure the Access Panel to the floor.



NOTE: This step only applies to the two back corners of the Metal Sub Base.

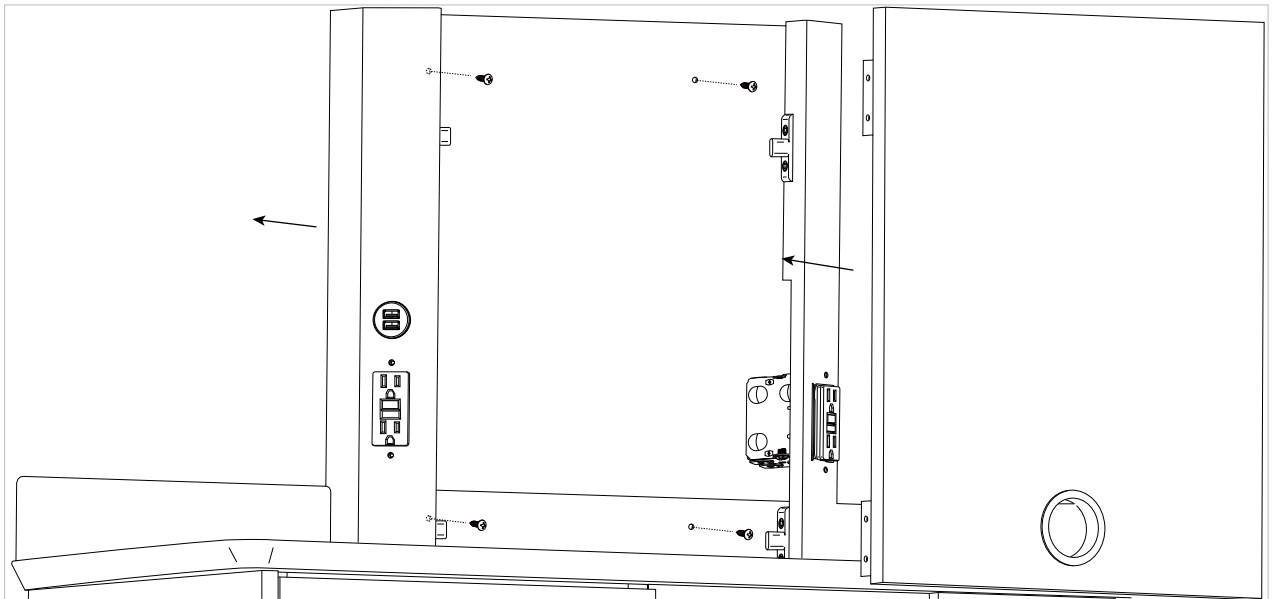


INSTALLATION

INSTALLING THE CHASE

- 1** Remove the Front Panel from the Chase.
- 2** Center the Chase on the counter of the Lower Module.
- 3** If mounting to a wall, drill and screw the back of the chase to the wall studs using the screws provided. Use toggle bolts if no studs align with the chase.

If mounting to a Support Wall, drill and attach the Chase directly to the Support Wall using the wood screws provided.
- 4** Install the Front Panel to the Chase.



INSTALLATION

INSTALLING THE UPPER CABINET - WITH HANGING RAILS



NOTE: For cabinets with the hanging rails, install the Upper Cabinet as described in this section.

- 1** Remove the doors and shelves from the upper module to make it easier to lift.
- 2** With a helper, hang the Upper Module on the hanging rail located on the wall (see page 11 and right image) or on the Support Wall.
- 3** Ensure that all brackets are engaged on the rail.
- 4** Adjust the attachment at the rail as follows using a Pozidrive #2 screwdriver:



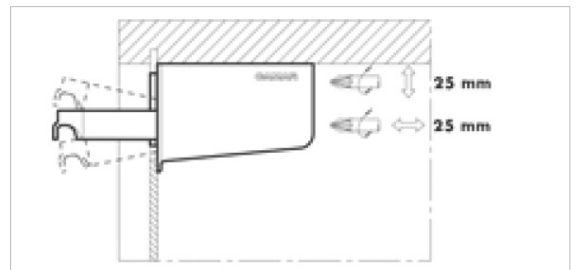
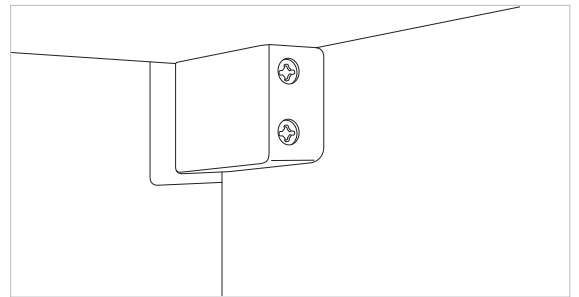
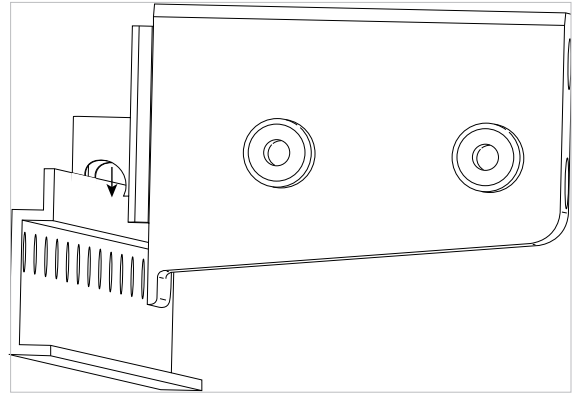
NOTE: ALWAYS use a #2 Pozidrive screwdriver when making adjustments to the hanging brackets which are located in the upper corners of the Upper Cabinet.

- a. Level the Upper Cabinet using the brackets which are located in the upper corners of the Upper Cabinet.
- b. Make small adjustments to each bracket so as to ensure that they stay mounted on the rail.
- c. The top screw of the bracket will raise or lower the Upper Cabinet on each corner.



NOTE: Turning the screw clockwise raises the cabinet. Counterclockwise lowers it.

- d. Once leveling is complete, use the lower screw of the bracket to draw the Upper Cabinet to the wall.



INSTALLATION

INSTALLING THE UPPER CABINET- WITH SUPPORT ARMS

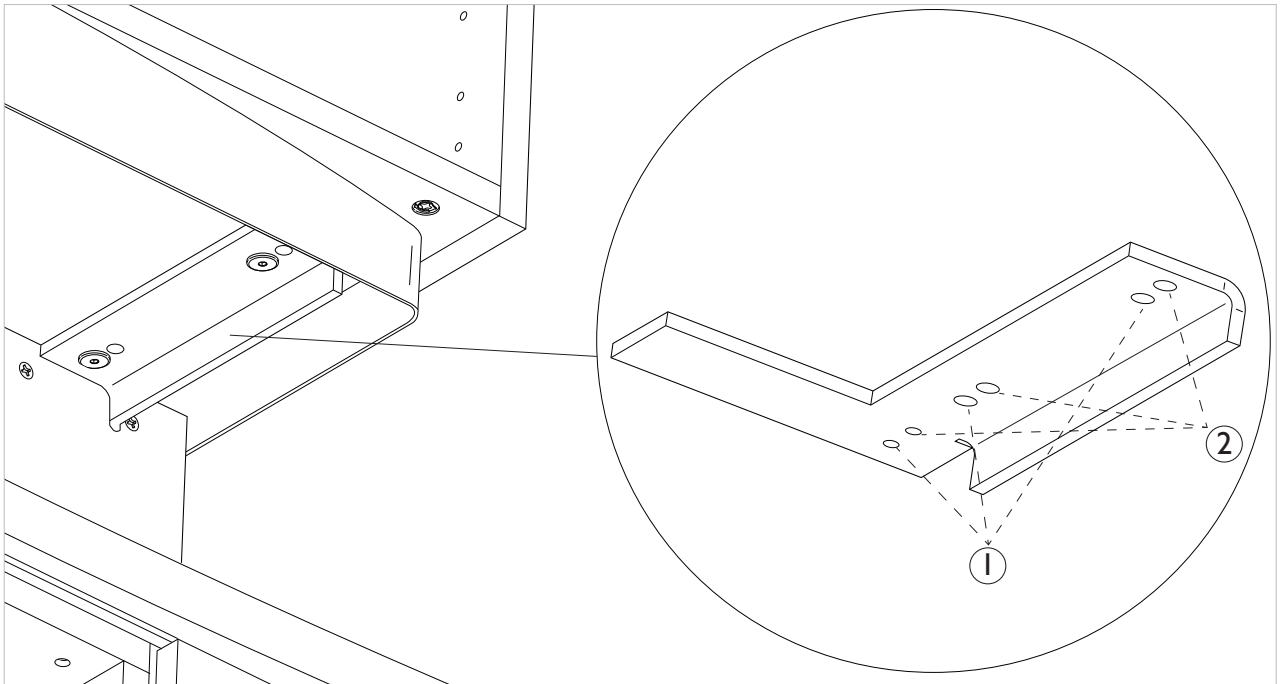


NOTE: For cabinets with the support arms, install the Upper Cabinet as described in this section.



NOTE: There are two different types of holes on the Support Arm depending on if the upper is a pass-through cabinet or a non-pass through cabinet:

- For the pass through cabinet, the three holes (below, item 1) are used so that the doors stick out a little bit.
- For the non-pass through cabinet, the three holes (below, item 2) are used so that the back panel is more flush and the users can push the cabinet up against the wall.



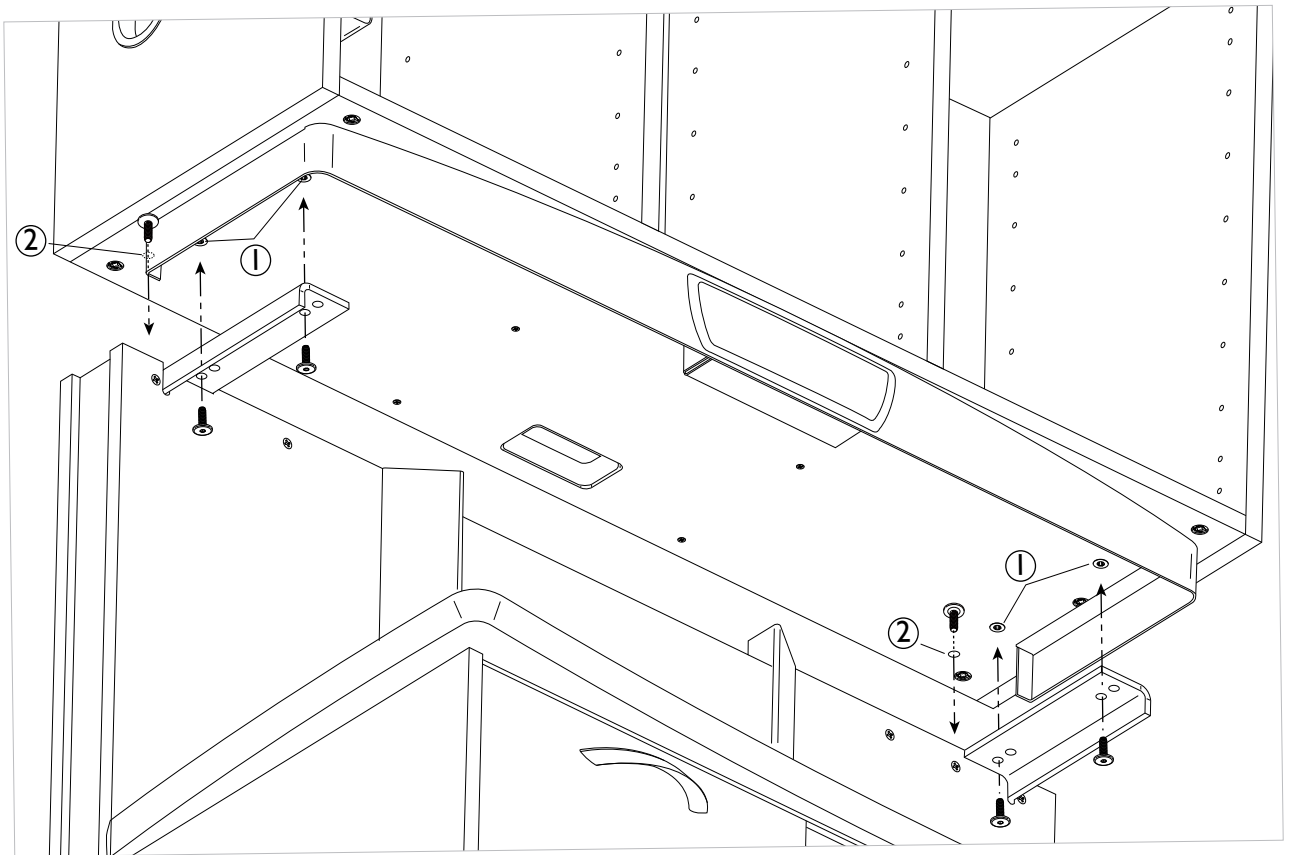
1 Remove the doors and shelves from the upper module to make it easier to lift.

2 With a helper, position the Upper Module on the top of the Support Wall.

INSTALLATION

INSTALLING THE UPPER CABINET- WITH SUPPORT ARMS

- 3** Align holes in the bottom panel of the upper (below, item 1) with the holes in the structural arms which extend from the wall. Add the 4 supplied 1/4"-20 bolts to secure the the upper cabinet from below through the structural arms and into threaded inserts in the bottom of the upper cabinet.

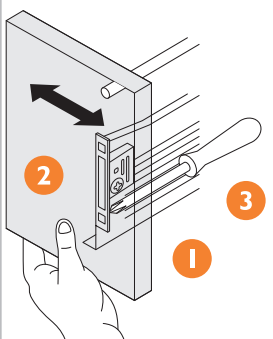
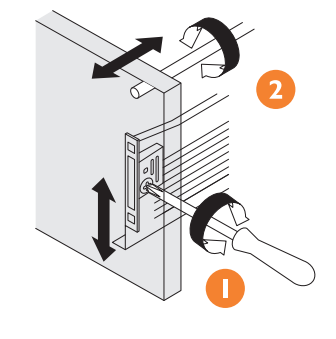
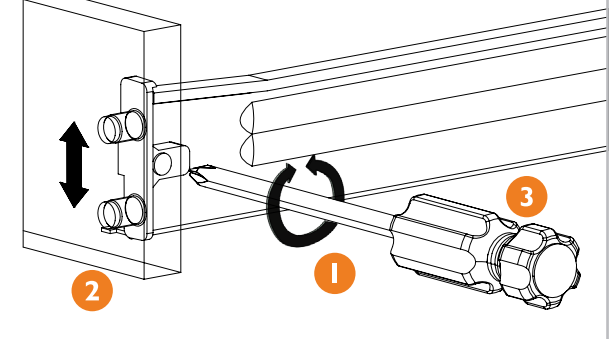


- 4** From the back of the cabinet, align two holes in the bottom panel of the upper (above, item 2) with the holes in the Support Arm, and add the 5/16" bolts , assembling them from above at the shown locations in the illustration above.

DOOR AND DRAWER ALIGNMENTS

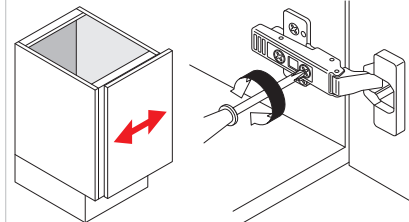
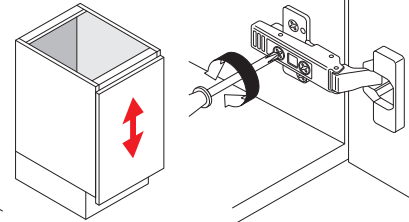
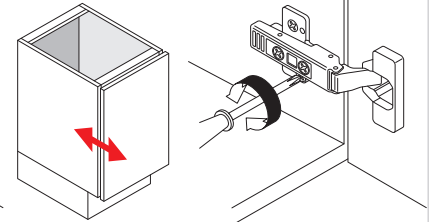
ALIGNING DRAWERS

Align drawer faces and seams by adjusting the drawer face attachment.

Side adjustment	Height and Tilt adjustment	
		
<ol style="list-style-type: none"> 1. Loosen fixing screws. 2. Adjust the front. 3. Tighten screws. 	<ol style="list-style-type: none"> 1. Adjust height cam. 2. Turn rail to adjust tilt. 	<ol style="list-style-type: none"> 1. Loosen fixing screws. 2. Adjust the front. 3. Tighten screws.

ALIGNING DOORS

Align door faces and seams by adjusting the hinges.

Side adjustment	Height adjustment	Depth adjustment
<p>Turn front screw to increase or decrease door overlay (± 2 mm).</p>	<p>Rotate cam screw-on mounting plate to adjust door position (± 2 mm).</p>	<p>Turn rear spiral-tech cam screw to adjust door position (+3 mm, -2mm).</p>
		
	<p>On non-cam mounting plates, loosen screw, adjust door and retighten screws.</p>	<p>For CLIP, loosen rear screw, adjust and retighten.</p>

ELECTRICAL OUTLETS (SERIES 5 ONLY)

DIAGRAM

