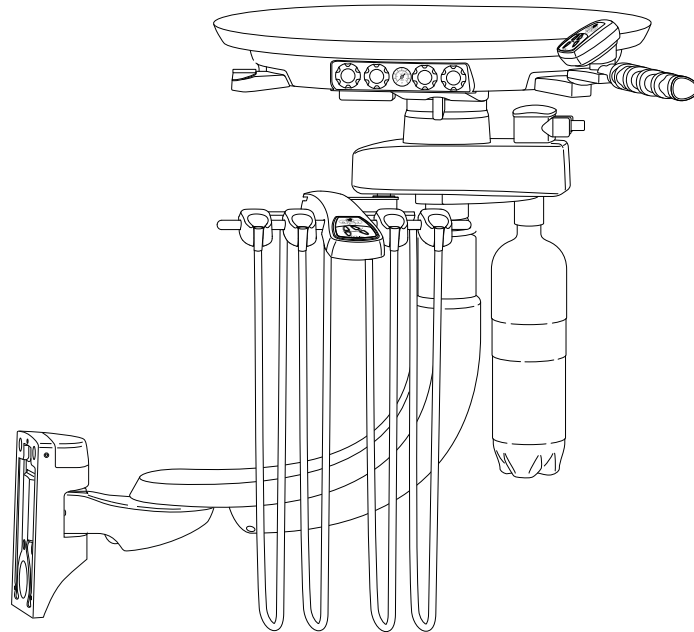


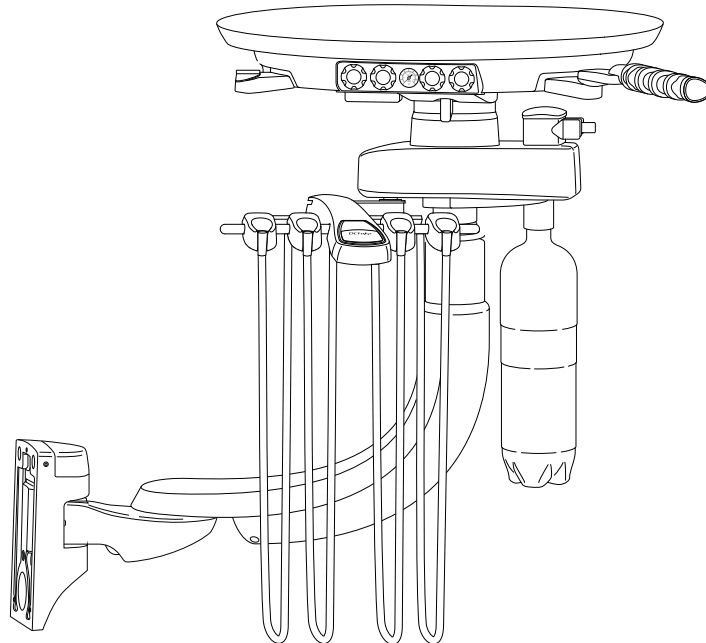
SERIES 5 12 O' CLOCK DENTAL DELIVERY SYSTEM

OVERVIEW

DR5550 12 O'Clock Floor Mount Delivery System with Dr & Assistant's Instruments with Touchpads

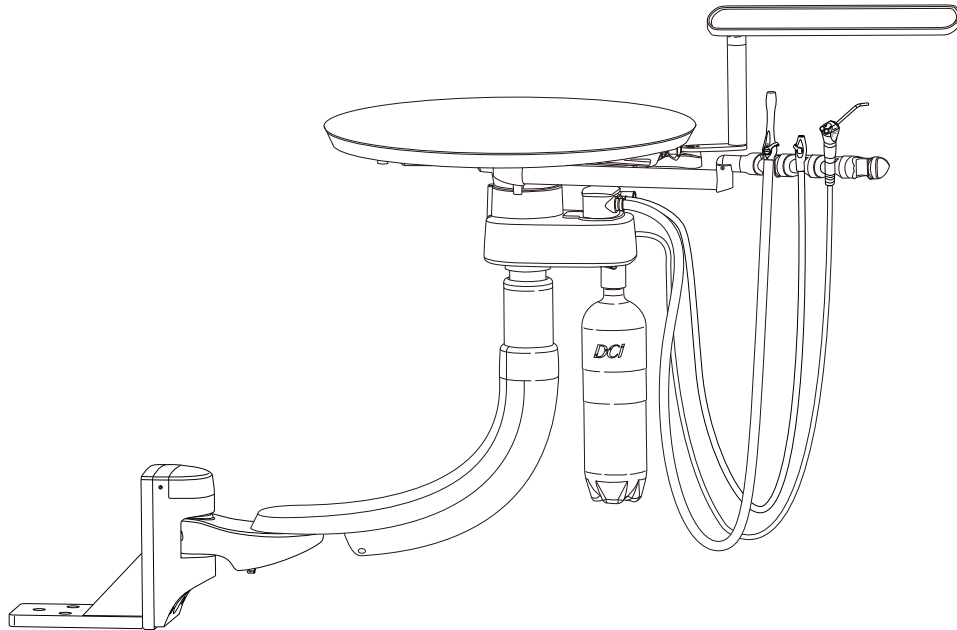


DR5450 12 O'Clock Floor Mount Delivery System with Dr & Assistant's Instruments Without Touchpads

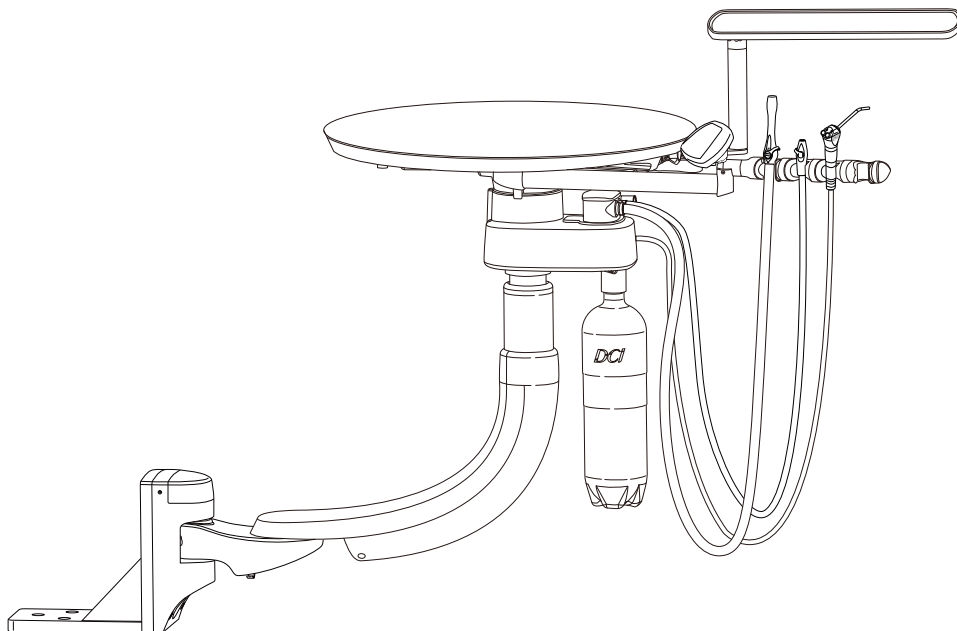


OVERVIEW

DR545I Series 5 12 O'Clock Floor Mount Delivery, Assistant Only without Touchpads



DR555I Series 5 12 O'Clock Floor Mount Delivery, Assistant Only with Touchpads



INTRODUCTION

BEFORE YOU BEGIN

Study the dental delivery system overview in this booklet and layout dimensions from the Technical Specification (PN 50247). Make sure the planned location will have the necessary space available for installation, including room for travel of the chair's base and backrest.

Open all containers and review the contents. It may be helpful to locate all kits containing accessories. (Smaller parts are often packaged together to avoid being lost.)

Locate all documentation supplied with the package. IFU and installation sheets may be found in one or more boxes accompanying their respective components. Set aside the owner's manual for the end user to review.

TABLE OF CONTENTS

Overview	2
Introduction	4
Preparation	5
Lower Mount and Arm Assemblies	7
Upper Assembly and Umbilical	9
Floor Utilities	12
Connections and Adjustments	13

SYMBOLS USED IN THIS MANUAL

The following symbols may be used throughout this product manual:



WARNING: Failure to carefully follow the described procedure may result in damage to the equipment or the operator.



CAUTION: Failure to carefully follow the described procedure may result in damage to the equipment.



NOTE: Take note of additional important information. Not a warning or caution.



ELECTRICAL HAZARD: Risk of electrical shock present. Ensure that power is disconnected before attempting procedure.

REGULATORY INFORMATION

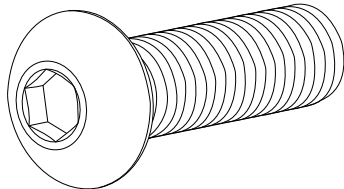
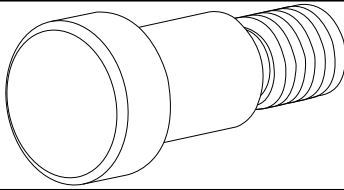
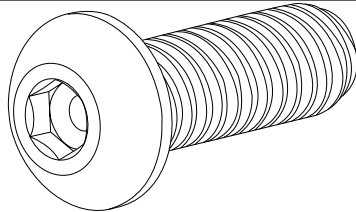
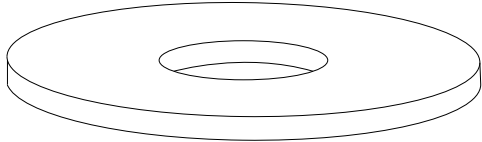
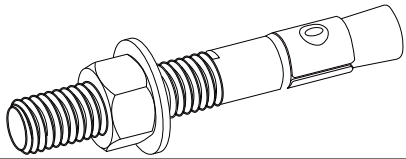
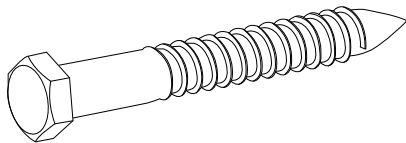
Regulatory information is delivered with DCI Edge dental equipment as mandated by agency requirements and can be found in the accompanying Instructions For Use for this device.

PREPARATION

TOOLS NEEDED FOR INSTALLATION

- Socket wrench
- Socket wrench extension (3")
- 9/16" Socket (provided)
- Magnetic Level
- Allen wrench set
- Utility knife

INCLUDED HARDWARE

Item	Quantity	Image
1/2" x 1-3/4" Button Head Machine Screw	1	
5/8" x 7/8" Shoulder Bolt	2	
1/4"-20 x 5/8" Machine Anchor	3	
1/2" Flat Washer	4	
1/2" x 3-3/4" Power Stud Concrete Screw	4	
1/2"-6 x 4" Lag Screw	4	

PREPARATION

MOUNTING PREPARATIONS

- 1** Ensure that the flooring is reinforced with a minimum of 3" thickness of solid wood or concrete to be able to support the weight of the dental delivery system.
- 2** Use the floor template (see PN 50247) to properly locate the exact position of the holes in the floor before putting the cabinet in place.
- 3** Pre-drill holes in preparation for install.



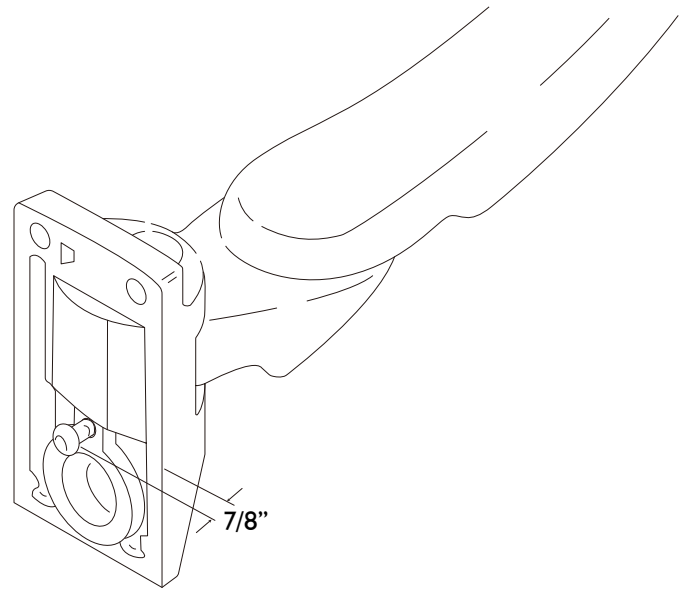
NOTE: If the 12 o'clock cabinet to which you are installing this dental delivery system is not a DCI Edge 12 O'Clock Cabinet, see the Technical Specification (PN 50247) for non-DCI cabinet mounting details.



WARNING: Failure to ensure that this dental delivery system is mounted to a floor which can support the rated load could result in severe injury.

FIRST STEPS

- 1** Remove the product from its packaging and ensure that you have the floor mounting hardware kit, fastener kit, round work surface, floor bracket, lower arm assembly, foot control, utility center, water bottle, and the control head assembly.
- 2** Add the 3/8" button head bolt to the threaded hole on the back of the pivot mount casting and leave a 7/8" gap between the back of the bolt head and the casting.



WARNING: To prevent injury, have an assistant support the weight of the dental delivery system and countertop during installation.

LOWER MOUNT AND ARM ASSEMBLIES

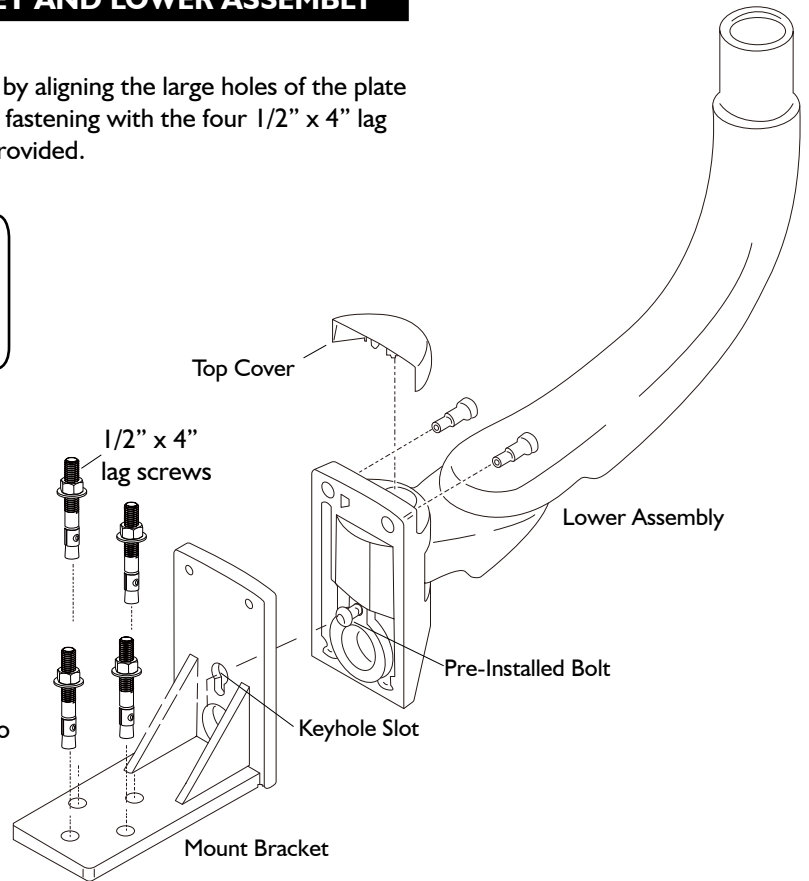
ATTACHING MOUNTING BRACKET AND LOWER ASSEMBLY

- 1 Fasten the mount bracket to the floor by aligning the large holes of the plate to the predrilled holes in the floor and fastening with the four 1/2" x 4" lag screws or concrete anchors and washers provided.



NOTE: Check level of mount bracket after securing fasteners. If found to be out of level, use shims under bracket to level.

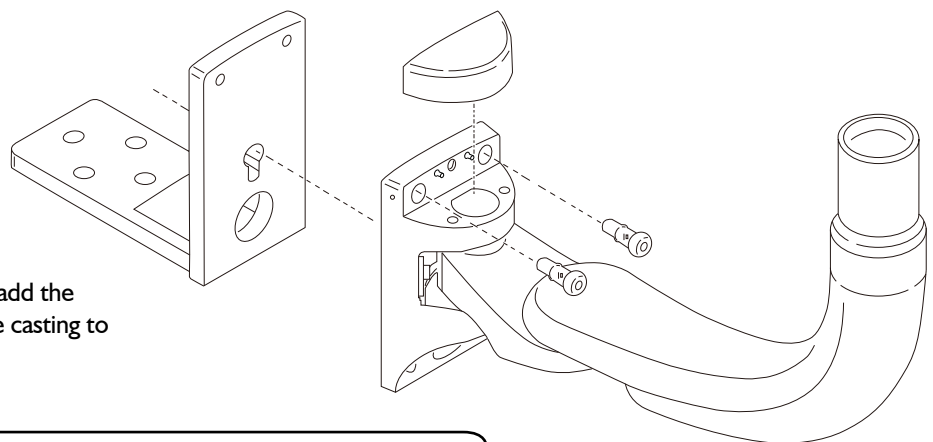
- 2 Slide the lower assembly into position and push the bolt through and down into the keyhole slit on the mount bracket.



- 3 Remove the top cover and add the shoulder bolts to secure the casting to the floor bracket.



NOTE: Do not tighten the shoulder bolts completely at this stage.



LOWER MOUNT AND ARM ASSEMBLIES

LEVELING



WARNING: Before using of the equipment, ensure that the assembly is level and all mounting bolts are securely fastened.

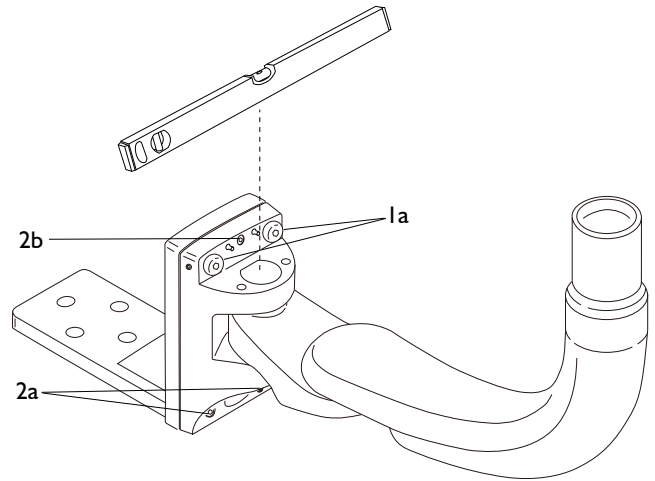
Apply a level (right) to the vertical post to know what adjustments should be made front to back and side to side.



NOTE: It is very important that you follow the below steps in order as shown.

STEP 1: Tightening Bolts

Assure shoulder bolts (right, item 1a) and back bolt (below, item 1b) are snug but will still allow arm to be leveled.



STEP 2: Leveling Front to Back

Draw top of post toward the mount:

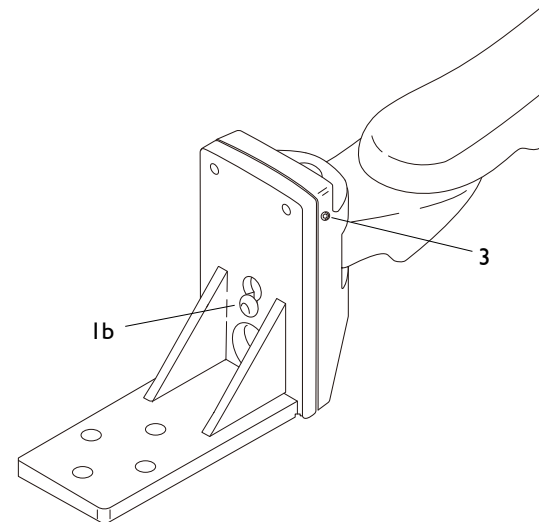
- Tighten the two bottom set screws (right, item 2a).
- Loosen the top center set screw (right, item 2b).

Push top of post away from the mount:

- Loosen the two bottom set screws.
- Tighten the top center set screw.

STEP 3: Leveling Left to Right

After leveling front to back, level the assembly left to right using the set screws (right, item 3) on the side faces of the pivot mount casting.



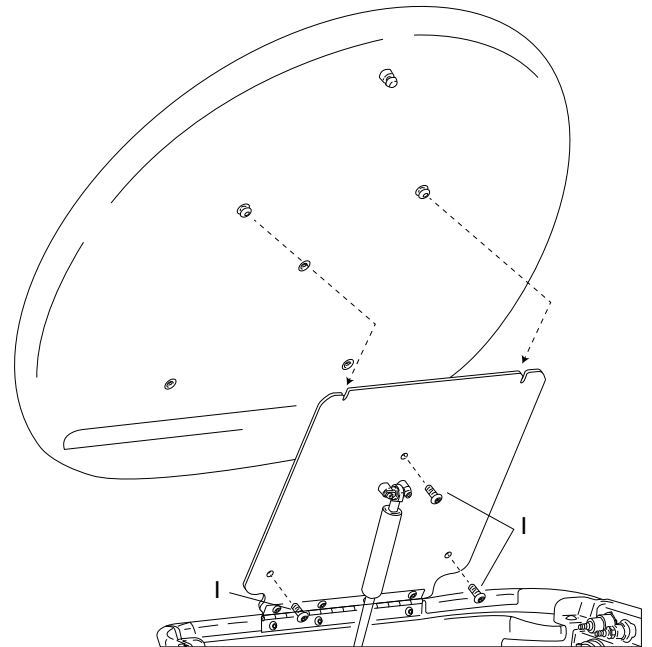
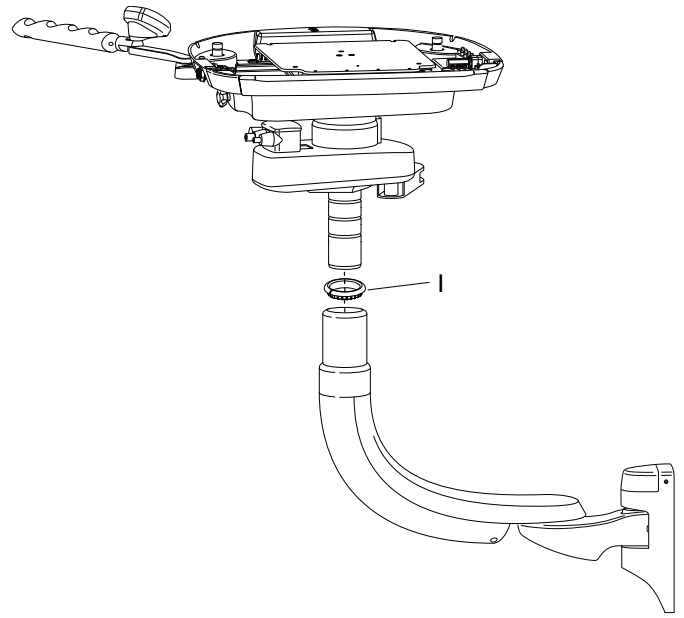
STEP 4: Completing Leveling

Fully tighten shoulder bolts and back bolt, and verify level again. If level is good, make sure all set screws are tightened.

UPPER ASSEMBLY AND UMBILICAL

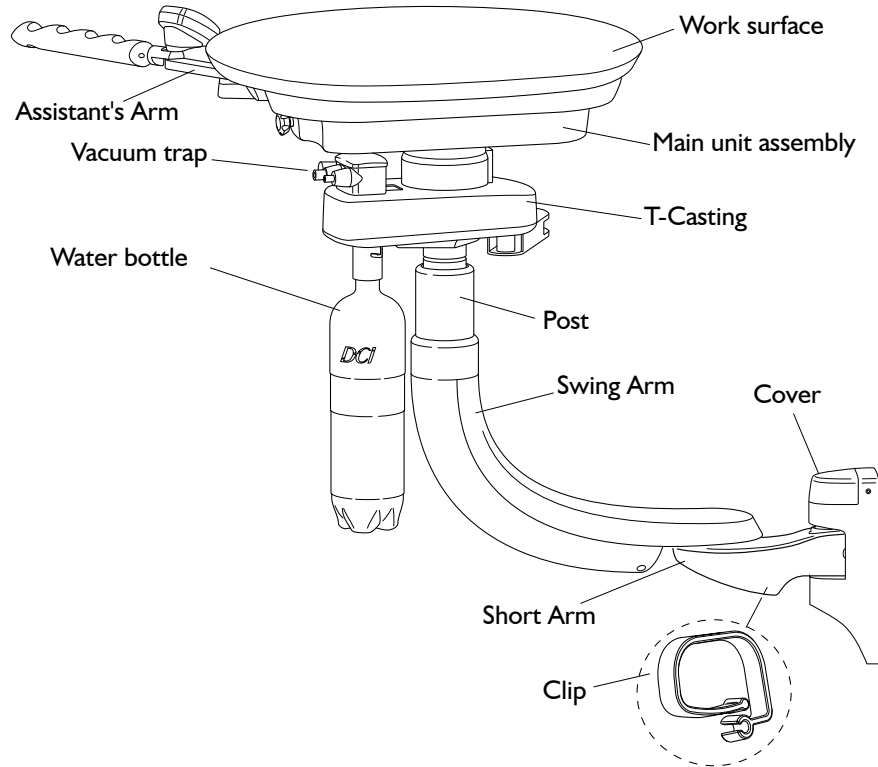
ATTACHING UNIT ASSEMBLY

- 1** Remove four bolts holding the main unit in packaging and remove the main unit from the packaging.
- 2** Install Height Lock Ring (right, item 1) into top of swing arm.
- 3** Install the main unit assembly to the mount assembly first by routing the umbilical from the main unit assembly through the swing arm and pull out as much slack as possible. Next, with the help of an assistant, align the telescoping stub with the post of the swing arm assembly. Be sure to align the keyed feature of the inner diameter of the post with the slot on the telescoping hub.
- 4** Pull through the remainder of the umbilical.
- 5** Install the work surface onto the hinge plate by tightening the three screws (right, item 1).
- 6** Snap the plastic top cover into place.

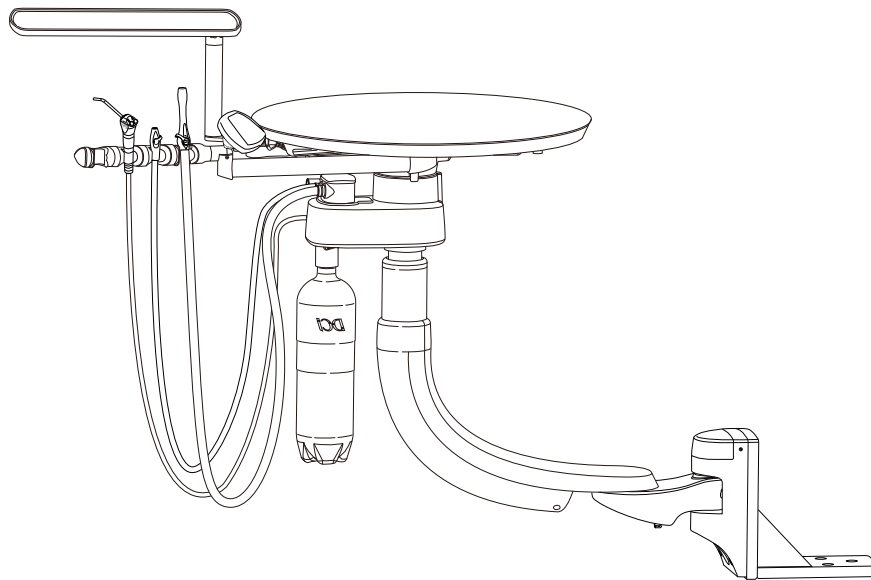


UPPER ASSEMBLY AND UMBILICAL

- 7** Route the umbilical and vacuum line through the clip on the Short Arm and into the sub base of the cabinet.



With Dr & Assistant's Instruments

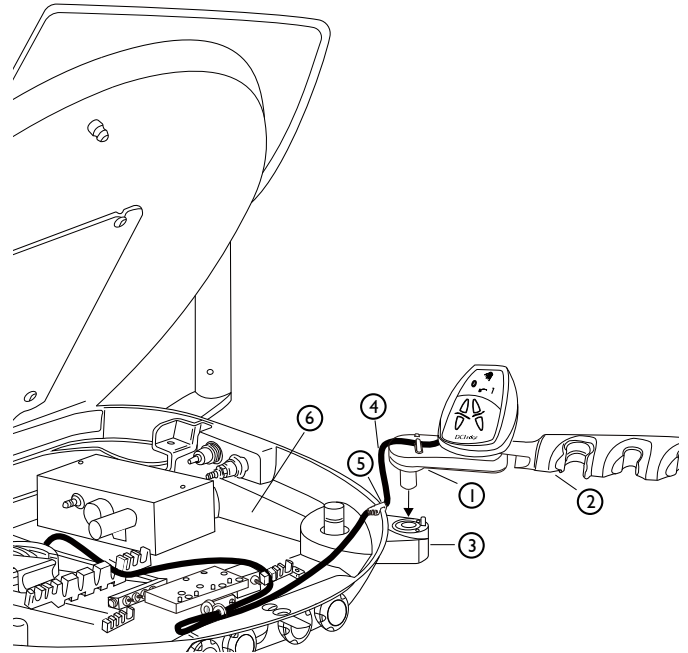


Assistant Only

UPPER ASSEMBLY AND UMBILICAL

INSTALLING DR'S ASSISTANT ARM ASSEMBLY

- 1** Insert the shaft of the Extension Arm (right, item 1), which has been preinstalled onto the Assistant Holder (item 2) during factory delivery into the mounting hole of the Accessory Hub (item 3).
- 2** Secure the Touch Pad harness (item 4) with the Strain Relief (item 5) and insert the Strain Relief into the U-shaped opening on the edge of the Unit Chassis.
- 3** Route the harness into the Unit Chassis (item 6).
- 4** Adjust the rotational tension of the Assistant's Arm.



NOTE: For details of adjusting the tension of the Assistant's Arm, see ADJUSTMENTS section of the IFU (PN 55090) for the **Series 5 12 O'Clock Dental Delivery System**.

ATTACHING FOOT CONTROL



NOTE: Foot control steps are only for DR5550 and DR5450.

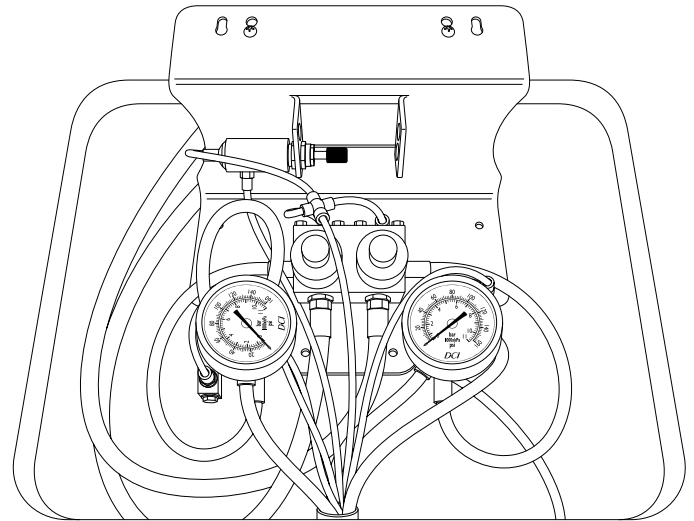
- 1** Route the foot control tubing through the hole in the base of the cabinet.
- 2** Leave enough tubing length in front of the cabinet for staff to comfortably use foot control.

FLOOR UTILITIES

LOCATING UTILITIES

The utilities assembly can be attached to any lower cabinet module as shown in the illustration below. To locate utilities in the operatory, do the following:

1. Locate the compressed air and city water connections.
2. Install utility package under the cabinet and near the compressed air and city water connections.



AIR

Pipe: 1/2" N.P.T. Protruding 1" from the floor. Supplied by contractor.

Air supply: Pressure 80-100psi. Air should be free from contaminants.

WATER

Pipe: 1/2" N.P.T. Protruding 1" from the floor. Supplied by contractor.

Water supply: Pressure 40-80psi. Water should be flushed clean before connecting to this equipment.

ELECTRICAL

Pipe: 1/2" conduit with dual receptacle box or greater. Supplied by contractor. Wire box according to code. Top of box should be no higher than shown.

Supply: 115V AC 3-wire, 8 AMP or 230V AC 3-wire, 4 AMP

CENTRAL VACUUM

Pipe: Supplied by contractor. Terminated with 5/8" OD tube protruding 1" from the finished floor.

GRAVITY DRAIN

Pipe: 5/8" OD tube protruding 1" from the floor. Place trap in-line and use vented fitting to conform to local codes. Supplied by contractor.

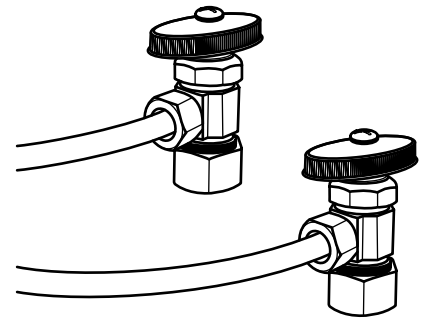
CONNECTIONS AND ADJUSTMENTS

CONNECTING UTILITIES

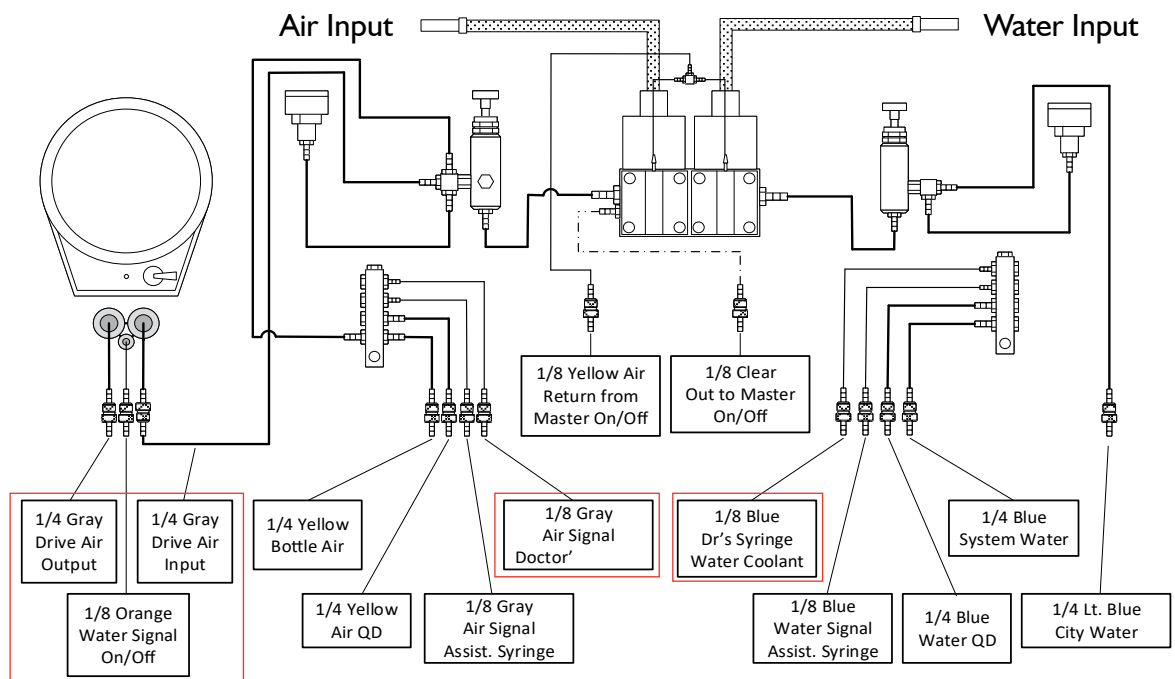
- 1** Connect the shut-offs to the compressed air and water supply valves.

NOTE 1: The Yellow side is for air.

NOTE 2: The air and water lines must be flushed prior to connection to the shut-offs.



- 2** Connect the umbilical tubings to the appropriate connection points, including foot control rheostat, with supplied Q.D. Swivel Fittings.



* Connections outlined in red are only used on DR5550 and DR5450.

MAKING ADJUSTMENTS

See the ADJUSTMENTS section near the end of the **Instructions for Use** for the **Series 5 12 O'Clock Dental Delivery System** to complete the installation. Be sure to check and make any needed adjustments to items in that section.

