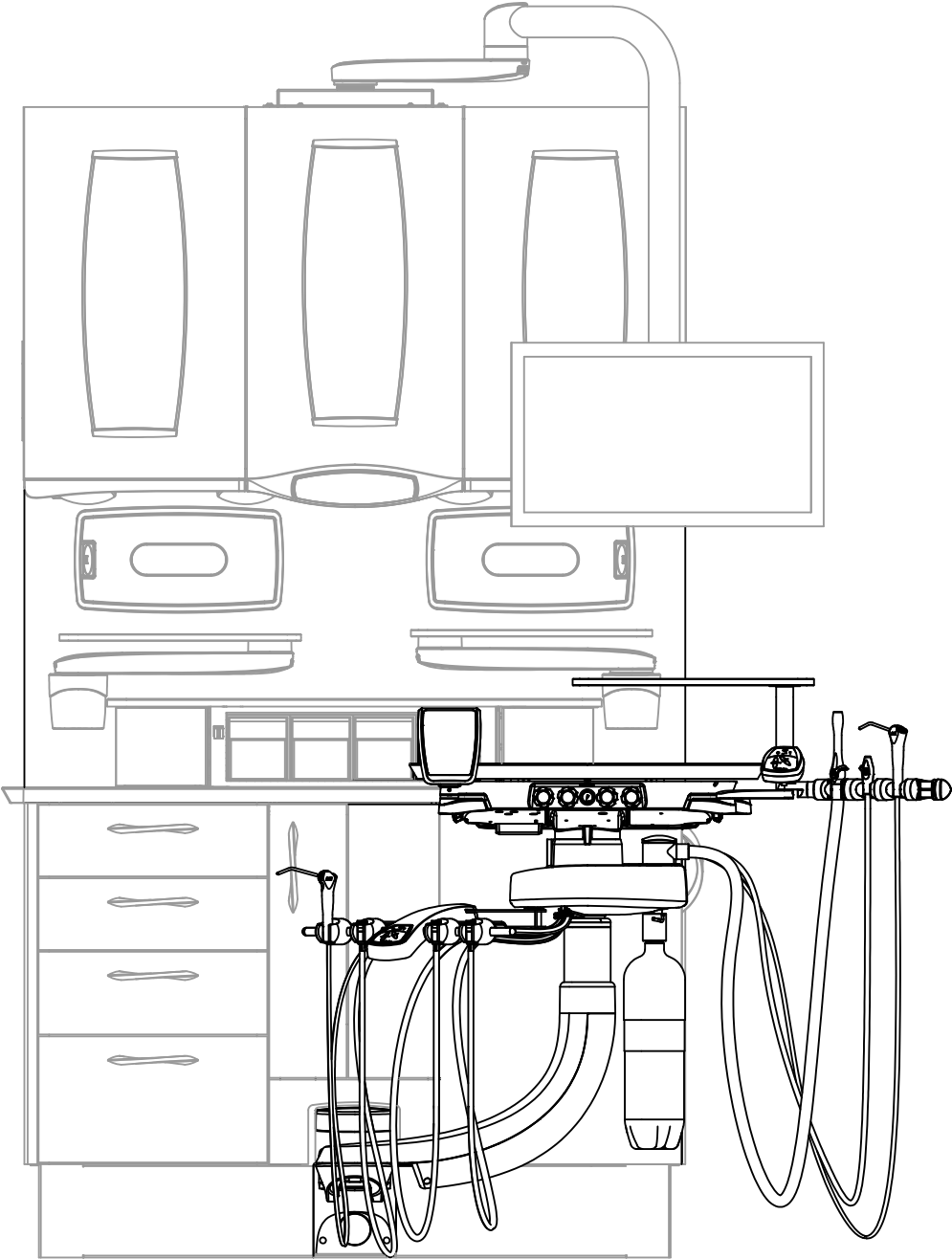


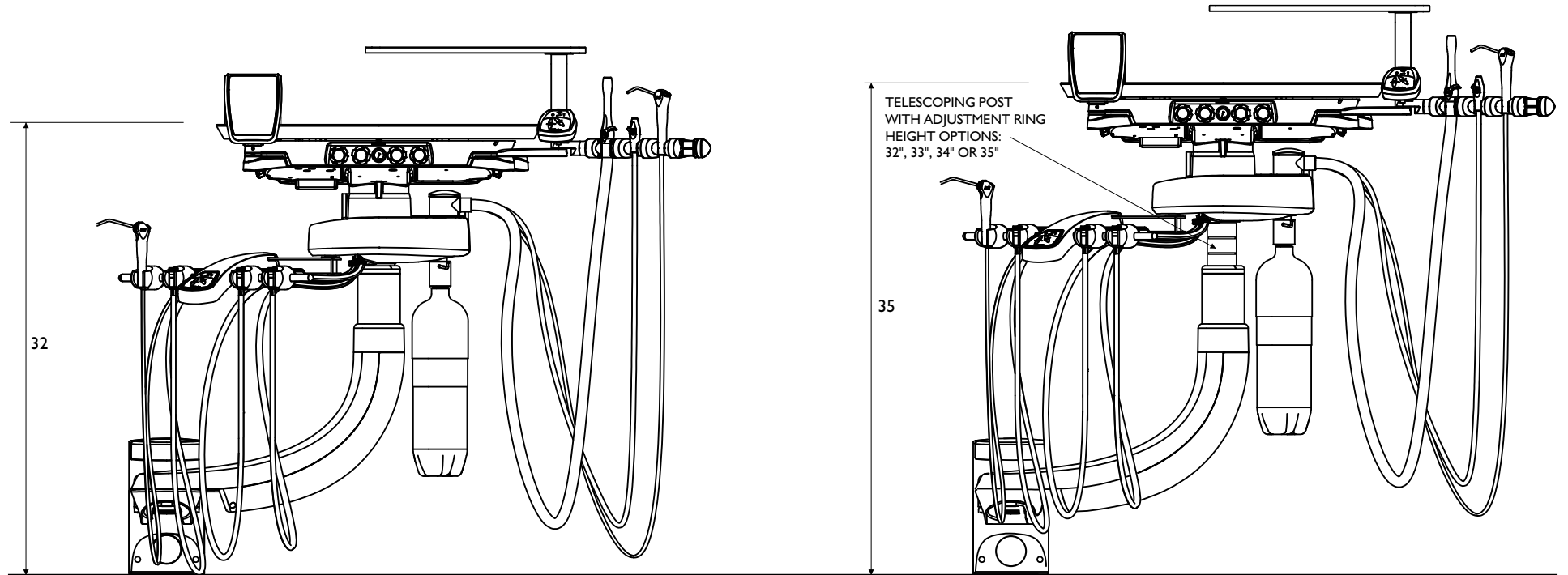
SERIES 5 FLOOR MOUNT 12 O'CLOCK DELIVERY SYSTEM

Technical Specification

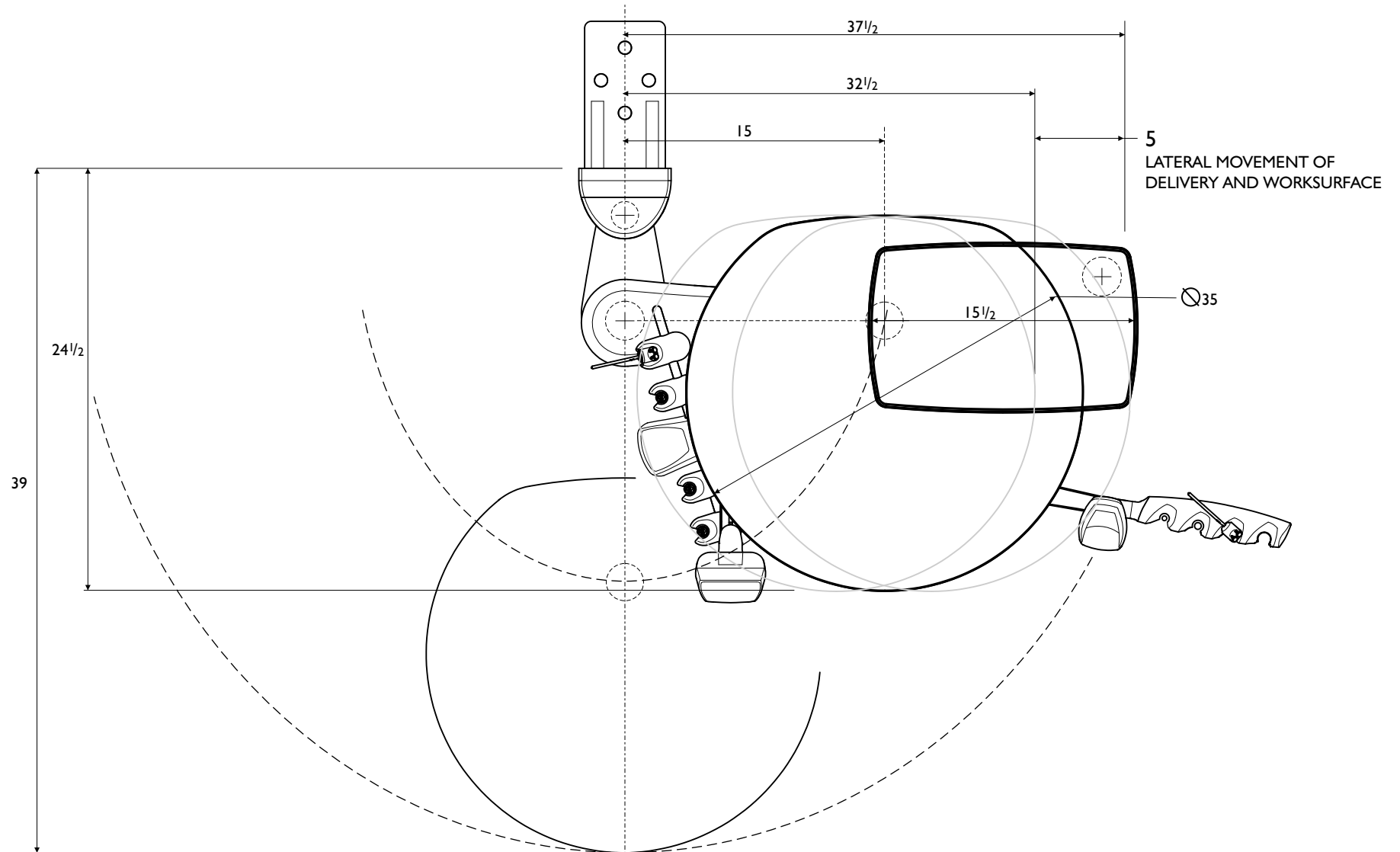
DCI edge



HEIGHT ADJUSTMENT

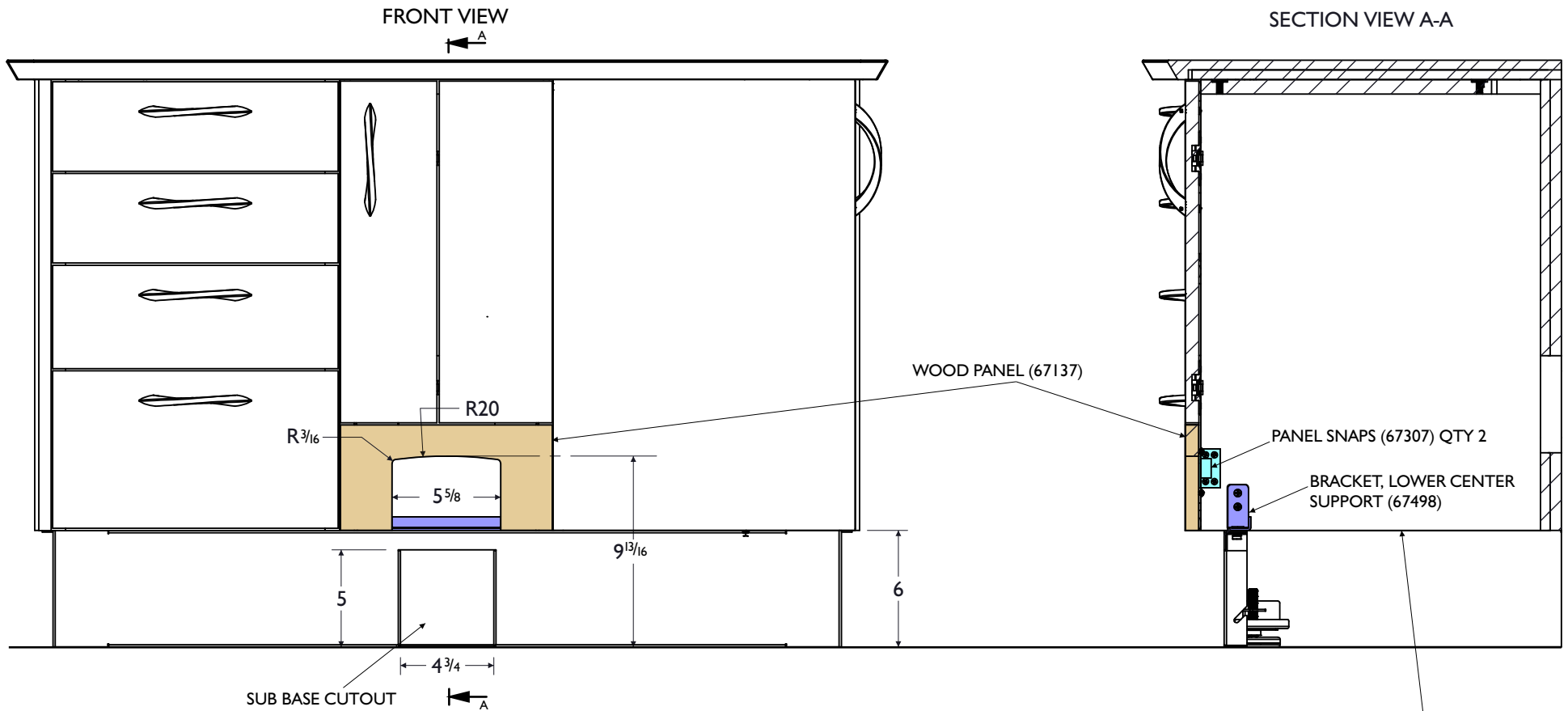


RANGE OF MOTION



CABINET INTEGRATION

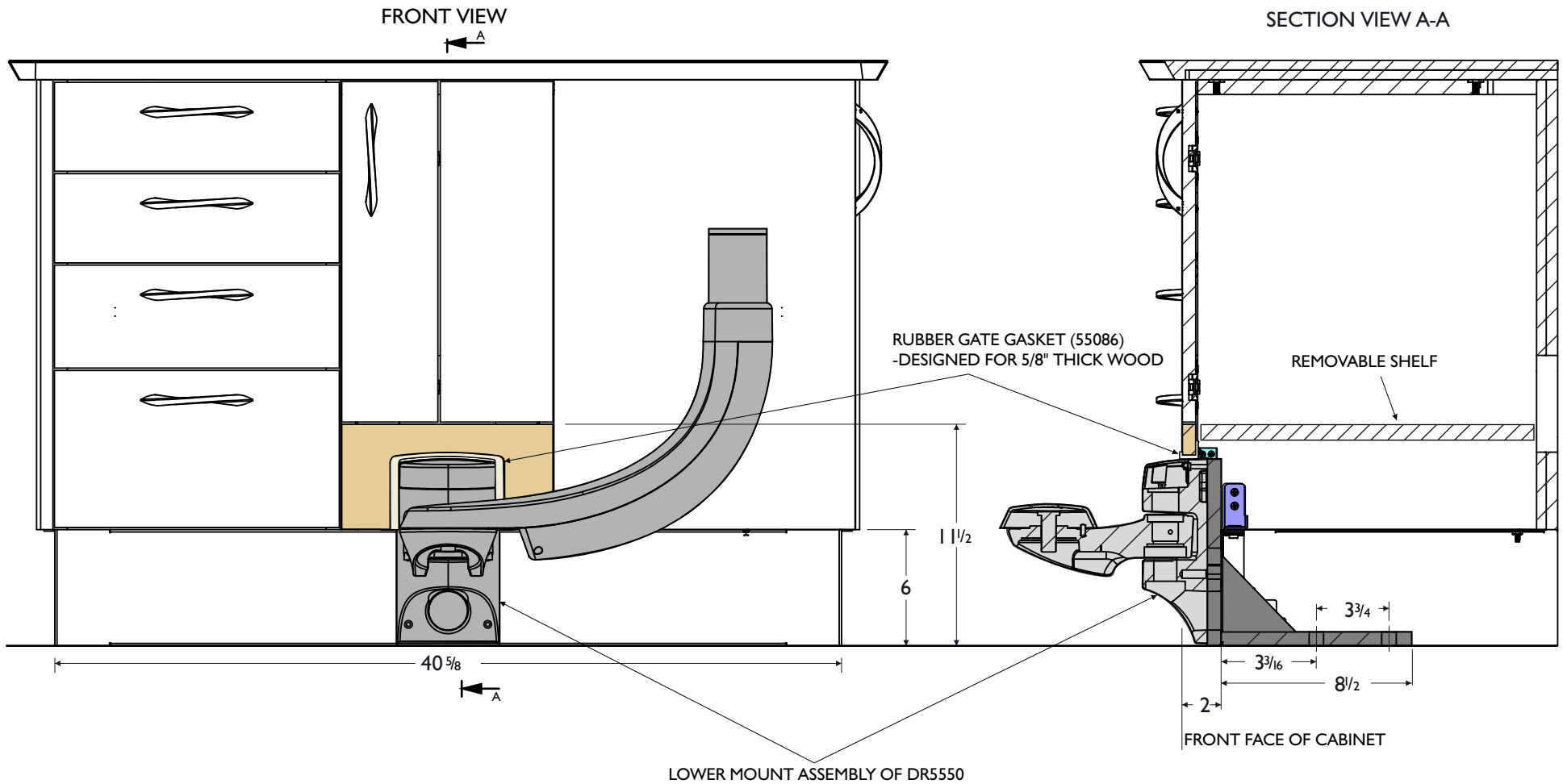
SOLUTION 1: DCI 12 O'CLOCK CABINET AND COMPONENTS



NOTE: THE CENTER MODULE DOES NOT HAVE A BOTTOM PANEL. PART NUMBER 67498 IS USED AS A REINFORCEMENT.

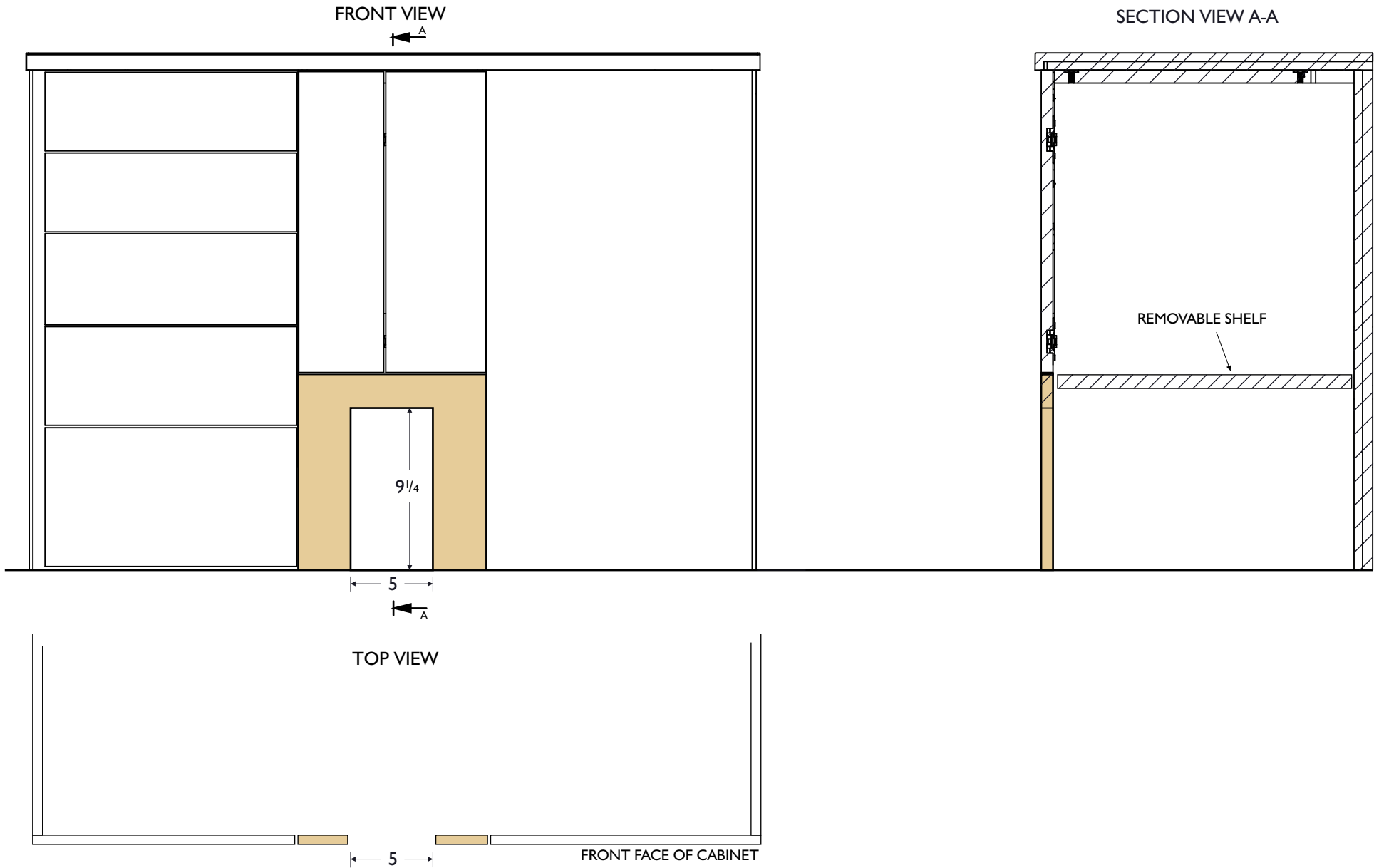
CABINET INTEGRATION

SOLUTION 1: DCI 12 O'CLOCK CABINET AND COMPONENTS - LOWER MOUNT INSTALLED



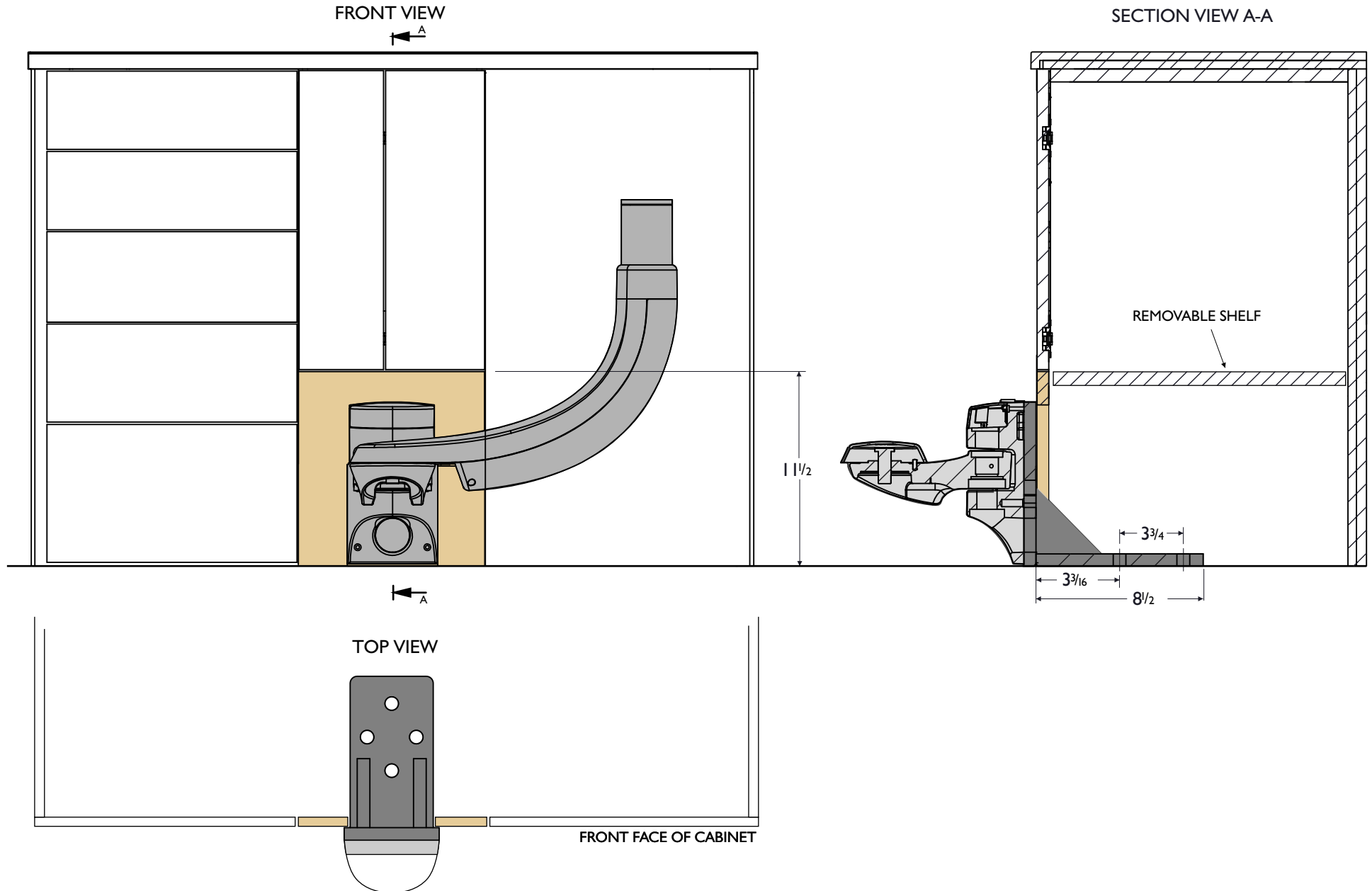
CABINET INTEGRATION

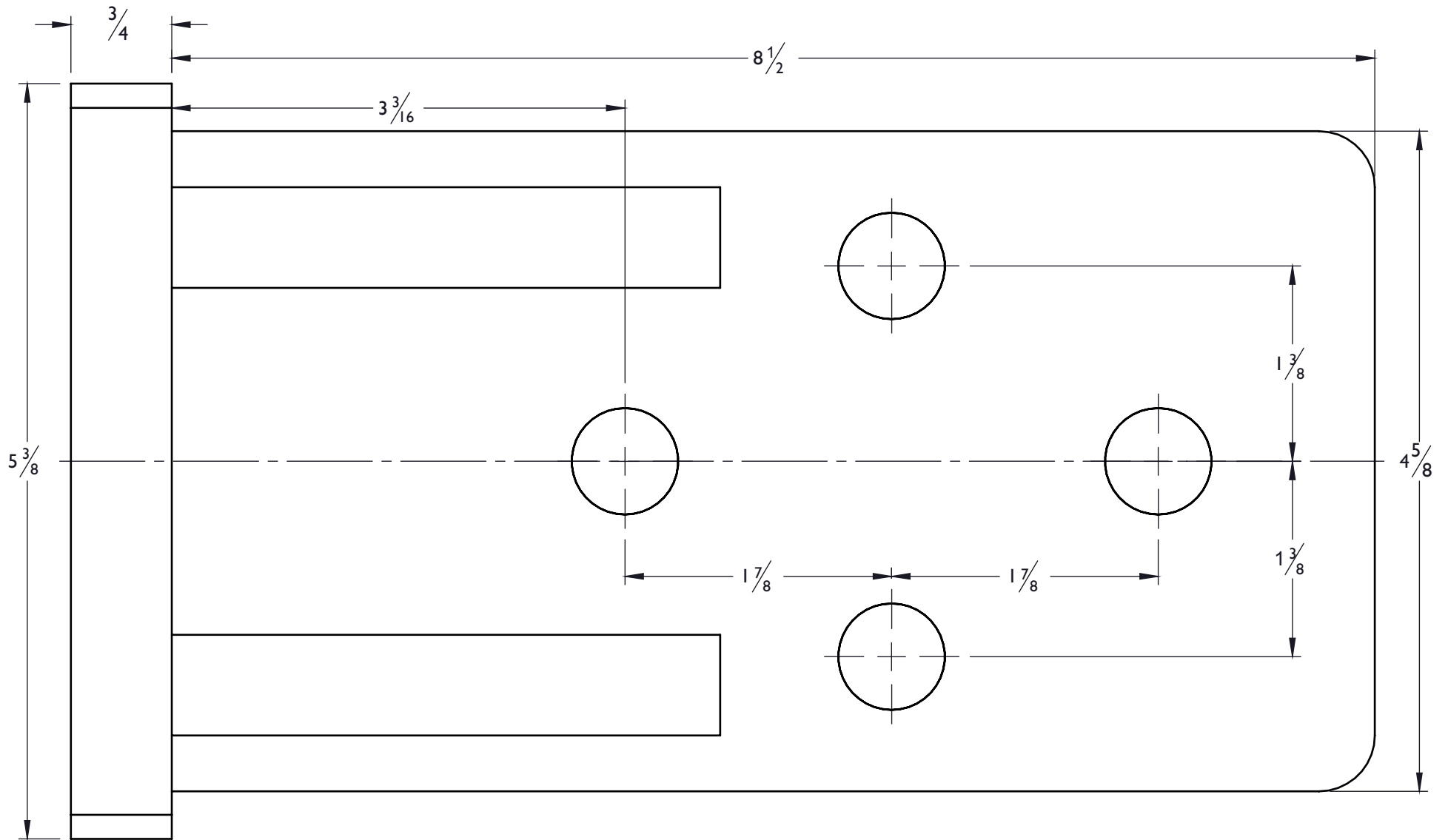
SOLUTION 2: NON DCI CABINET WITHOUT SUB BASE



CABINET INTEGRATION

SOLUTION 2: NON DCI CABINET WITHOUT SUB BASE - LOWER MOUNT INSTALLED





DCI edge