

2024

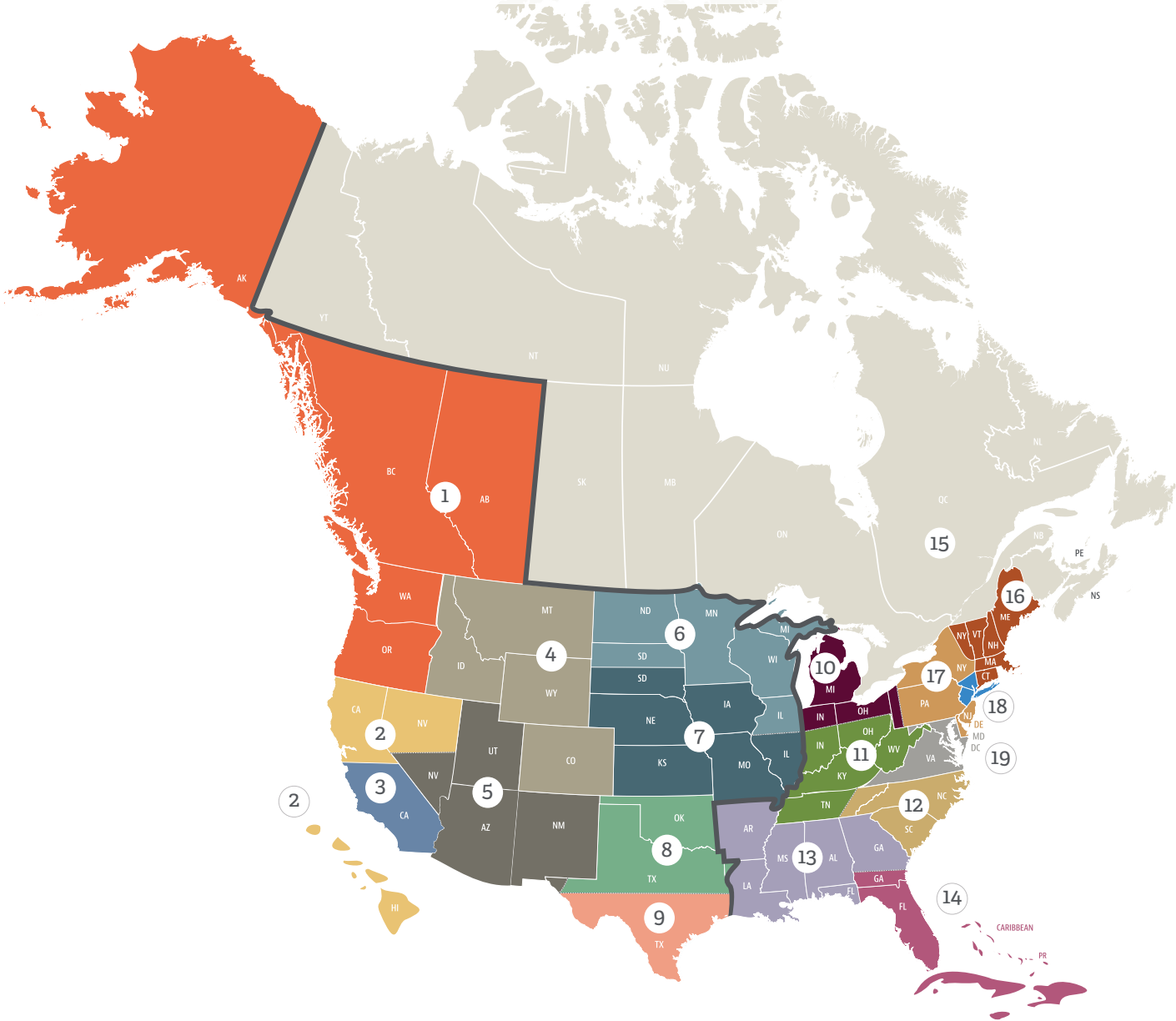
Equipment Order Guide



◀ DESIGN
THE DENTAL OFFICE

DCI edge

Regional Sales Managers by Territory



Pete Volk, Director of Special Markets, petev@dCIONline.com | Jason Budnik, Director of Schools & Government Sales, jasonb@dCIONline.com

- | | | | |
|--|--|--|--|
| 1 Brad Treadwell bradt@dCIONline.com | 6 Matt McDonald mattm@dCIONline.com | 10 Matt Murphy matt.murphy@dCIONline.com | 15 Doug Jessop dougj@dCIONline.com |
| 2 Rick Orme ricko@dCIONline.com | 7 Patrick Moylan patm@dCIONline.com | 11 Will Gaunt willg@dCIONline.com | 16 Jim Domitrz jimjd@dCIONline.com |
| 3 Derek Underhill dereku@dCIONline.com | 8 Bryan Wright bryanw@dCIONline.com | 12 Tony Sandrene tonys@dCIONline.com | 17 Brian Bock Director of Eastern Zone brianb@dCIONline.com |
| 4 Brad Helms Director of Western Zone bradh@dCIONline.com | 9 Casey Schulin caseys@dCIONline.com | 13 Dave Luttrell davel@dCIONline.com | 18 Richard Kelstein richardk@dCIONline.com |
| 5 Steve Sapik steves@dCIONline.com | | 14 Roy McDonald roym@dCIONline.com | 19 Scott Fraser scottf@dCIONline.com |

Territory as of January 2024



TABLE OF CONTENTS

| | | | |
|--|-----------|--|------------|
| DENTAL CHAIRS | 7 | | |
| Series 5 Dental Chair | 10 | | |
| Series 4 Dental Chair | 13 | | |
| Stools/Kid Cushion | 15 | | |
| CHAIR DELIVERY SYSTEMS | 17 | | |
| Series 5 Delivery Systems | 19 | | |
| Swing Mount Delivery System | 21 | | |
| Post Mount Delivery System | 23 | | |
| Side Delivery System | 25 | | |
| Series 5 Swing Mount Delivery System on Non DCI Chairs | 27 | | |
| Series 5 Post Mount Delivery System on Non DCI Chairs | 29 | | |
| Series 4 Delivery Systems | 31 | | |
| Swing Delivery System | 32 | | |
| Post Delivery System | 34 | | |
| Side Delivery System | 36 | | |
| Series 4 Swing Mount Delivery System on Non DCI Chairs | 38 | | |
| Series 4 Post Mount Delivery System on Non DCI Chairs | 40 | | |
| Series 4 Hygiene Delivery System | 42 | | |
| Series 4 Swing Mount Hygiene Delivery System on Non DCI Chairs | 44 | | |
| Series 4 Post Mount Hygiene Delivery System on Non DCI Chairs | 46 | | |
| CABINET DELIVERY SYSTEMS AND CARTS | 49 | | |
| Series 5 Floor-Mounted Delivery Systems | 51 | | |
| Mobile Delivery Systems | 53 | | |
| Under Counter Mount Delivery Systems | 55 | | |
| Cart Systems | 57 | | |
| LIGHTS | 59 | | |
| Series 5 & Series 4 LED Lights | 61 | | |
| DENTAL CABINETRY | 65 | | |
| 12 o'clock Cabinets | 68 | | |
| Side Cabinets | 80 | | |
| | | Center Island | 84 |
| | | X-Ray Pass Through | 88 |
| | | Vista Clear™ Cabinet | 89 |
| | | T-Wall | 90 |
| | | Series 4 Cabinetry | 92 |
| | | 12 o'clock Cabinets | 94 |
| | | Side Cabinets | 98 |
| | | Center Island | 106 |
| | | T-Wall | 110 |
| | | Glove/Towel/Cup Dispensers | 114 |
| | | Sterilization Centers | 115 |
| | | 10 foot Sterilization Center | 117 |
| | | 12 foot Sterilization Center | 119 |
| | | 14 foot Sterilization Center | 121 |
| | | SPECIALTY EQUIPMENT AND CABINETS | 123 |
| | | Ortho Chairs | 125 |
| | | Ortho Cabinets | 126 |
| | | Pediatric Bench | 128 |
| | | Mobile Carts | 130 |
| | | ACCESSORIES & NSK PRODUCTS | 133 |
| | | Posts & Mounts | 135 |
| | | DCI Edge Parts | 136 |
| | | Organization Bins | 137 |
| | | NSK Retrofit Kits | 138 |
| | | NSK Bundles | 139 |
| | | COLORS & DIMENSIONS | 141 |
| | | Chair Upholstery Colors | 143 |
| | | Cabinet Colors | 144 |
| | | Product Dimensions | 145 |
| | | WARRANTY & POLICY INFORMATION | 159 |



The DCI Story

Over forty years ago, equipped with a small home loan, and a concept for an improved dental syringe, John and Janelle Spencer started DCI, intent on providing dental parts with excellent quality and value. Drawing on their own experience in the dental industry, they went on to turn DCI into the world's largest and most trusted dental parts manufacturer.

Throughout its history, DCI parts have been used by major equipment manufacturers and service technicians worldwide, earning a reputation for both reliability and value.

Still committed to the same high standards, DCI continued their growth with the launch of DCI Edge of equipment and cabinetry. Today, DCI is recognized as the fastest growing and second largest dental equipment manufacturer in North America.



FAMILY-OPERATED SINCE 1983

DCI remains a family-run business based in Newberg, Oregon, still driven by their original values of caring for every customer.

In pursuit of their continued growth, DCI went through a transition of ownership to the respected dental manufacturer NSK in 2023, while still retaining the hands-on management and leadership of the Spencer family.



Why DCI?

- World's largest dental parts manufacturer, trusted by major equipment manufacturers and service technicians worldwide, with a reputation for reliability earned over the past 40 years
- Designed, developed and assembled in the USA, using components manufactured in the US and globally
- A lean and efficient business model means DCI can provide products with features customers value most, at affordable prices significantly lower than competitors
- First in the industry to offer a 5-year equipment warranty for dentist peace of mind
- Fastest growing dental equipment manufacturer in North America and preferred provider for many US Dental Support Organizations



High Value Low Prices

DCI's lean and efficient business model means customers can buy more for the same price.



DCI EDGE



BRAND A



BRAND B



DENTAL CHAIRS



CHAIR FEATURES



| CHAIR FEATURES | SERIES 5 | SERIES 4 | BENEFITS |
|--|--|---|--|
| Bluetooth chair diagnostics | X | X | Use your phone to connect to the DCI chair to troubleshoot, program, and update the firmware. Helps to eliminate downtime and expensive service visits. |
| Hydraulic motor | X | X | All hydraulic movements ensure a quiet yet strong performance. Each chair is tested with 600 lbs before it leaves the DCI factory in Newberg, OR. |
| 60° Swivel | X | X | Access and flexibility. |
| Foldout armrest movement for patient entry & exit | X Upholstered | X | Armrests rotate 170°, giving patients easy entry and exit. Armrest acts as hand support for patients. |
| Push-button dual articulating headrest | X | X | Standard on all DCI chairs, the push button dual articulating headrest allows easy positioning of the oral cavity. |
| Accelerometer chair position sensors | 2 | 2 | Utilizing the same advanced technology used in a cell phone to maintain preset positions accurately and reliably. Older mechanical technology is the number one point of failure for most dental chairs. |
| Soft start and soft stop | X | | Soft start and soft stop technology eliminates abrupt chair movements. |
| Thin & narrow ergo backrest | X | X | Facilitates unencumbered access to the oral cavity. |
| Headrest back scoop | X | | Headrest back scoop improves flexibility when positioning headrest for smaller patients, while providing shoulder support for larger patients. |
| Upholstery set designed with multi-layer system | X | | Pure comfort cushions utilize four material layers, including memory foam, to achieve the ultimate in patient comfort. |
| Base | Powder-coated cast ductile iron | Powder-coated high-quality laser cut steel | The Series 5 contoured cast iron base eliminates wobbling and instability of a flat base plate. |
| Heavy-duty cast chair structure | X | | Minimizes shaking and enhances stability of the chair. |
| Integrated fine adjustment tool kit | X | | Easy access to adjustment tools within each dental chair. |
| Chair at the lowest height | 15" | 16" | One of the lowest dental chairs allows a shorter practitioner to position the patient while facilitating proper ergonomics. |
| Chair at the highest height | 30" | 30" | The height of the chair supports stand-up dentistry. |

Series 5 Chair

Comfort Upgrade

With 4 layers of foam, including memory foam, for advanced comfort.

Access to the Oral Cavity

Dual articulating headrest ensures maximum comfort for the patient.

Design Appeal

Available in ergo or narrow back, plush or asepsis, in a large variety of colors.

Patient Support

The innovative headrest scoop and back design provides patients with back support regardless of height.

Ergonomics

The thin back allows for ideal positioning with unencumbered access to the oral cavity.

Soft Start and Stop

Adjust your chair without disrupting your patient with smooth start and stop technology.



Series 5 Chair

Features

Headrest back scoop provides additional positioning flexibility and increased shoulder support

Heavy duty cast chair structure for enhanced stability

Soft start and stop technology eliminates abrupt movements

Pure comfort cushions designed with four material layers for maximum patient comfort

Heavy duty removable armrests with added layer of cushion for patient comfort

Fine adjustment toolkit easily accessible in each chair

Versatile with ability to be used in general practice, orthodontic, or pediatric operatories



Series 5 Dental Chairs



ErgoBack with Plush Upholstery



ErgoBack with Asepsis Upholstery



Narrow Back with Plush Upholstery



Narrow Back with Asepsis Upholstery

All Narrow Back Upholstery includes detachable slings



| S - Standard Features <input type="checkbox"/> - Select Your Option | | Part Number | Retail Price | TOTAL |
|---|---|-------------|--------------|-------|
| Step 1 Select Your Chair | | | | |
| <input type="checkbox"/> | Series 5 Dental Chair w/200W Transformer (Powers Chair, Edge Lights & Accessories) | C5550 | \$9,560.00 | |
| <input type="checkbox"/> | Series 5 Dental Chair w/AirSoothe™ Massage w/200W Transformer (Powers Chair, Edge Lights & Accessories) | C5552 | \$10,355.00 | |
| Step 2 Select Your Back Style | | | | |
| For C5550 Select Your Standard Back Style | | | | |
| <input type="checkbox"/> | ErgoBack Plush | 51919 | N/C | |
| <input type="checkbox"/> | ErgoBack Asepsis | 51918 | N/C | |
| <input type="checkbox"/> | Narrow Back Plush | 51917 | N/C | |
| <input type="checkbox"/> | Narrow Back Asepsis | 51916 | N/C | |
| For C5552 Select Your AirSoothe™ Back Style | | | | |
| <input type="checkbox"/> | ErgoBack Plush, w/AirSoothe Massage | 54935 | N/C | |
| <input type="checkbox"/> | ErgoBack Asepsis, w/AirSoothe Massage | 54934 | N/C | |
| <input type="checkbox"/> | Narrow Back Plush, w/AirSoothe Massage | 54933 | N/C | |
| <input type="checkbox"/> | Narrow Back Asepsis, w/AirSoothe Massage | 54932 | N/C | |
| Step 3 Select Your Upholstery Type (See colors dciedge.com/request-samples) | | | | |
| <input type="checkbox"/> | Non-Standard Upholstery Upcharge per Chair** | 54644 | \$190.00 | |
| S | Naugasoft Upholstery | 54631 | N/C | |
| <input type="checkbox"/> | Ultraleather® Upholstery | 54632 | \$725.00 | |
| Step 4 Configure Your Chair | | | | |
| S | Foot Switch, 2 Pre-Program Positions, 1 Auto-Return | | Included | |
| <input type="checkbox"/> | Exchange Upholstered Armrest for Non-Upholstered Armrest | 51915 | N/C | |
| <input type="checkbox"/> | Delete Foot Switch | 4895D | \$-190.00 | |
| <input type="checkbox"/> | Touch Pad to Control Chair and Light - Mounted on Right* | 51788 | \$610.00 | |
| <input type="checkbox"/> | Touch Pad to Control Chair and Light - Mounted on Left* | 51778 | \$610.00 | |
| <input type="checkbox"/> | Accessory Connection Box with 2 120V Outlets, Air QD & Water QD w/flow control | 51775 | \$620.00 | |
| <input type="checkbox"/> | Series 5 Chair Adapter with 2" Hub (For non DCI units) | 52909 | \$490.00 | |
| <input type="checkbox"/> | Touch Pad to Control Chair and Light - Cabinet Mounted w/25' Harness* | 55888 | \$680.00 | |
| <input type="checkbox"/> | Series 5 J-Box Frame and Cover | 52977 | \$310.00 | |
| | | | Sub-total | |
| | | | QTY | |
| | | | TOTAL | |

*To add touchpads/foot switches to existing chairs sold prior to 2019, please contact Customer Service.

**Allow Additional 2 Weeks Above Standard Lead Time for all Non-Standard Upholstery. Manufacturer Part Number Required
Contact Customer Service to Confirm Availability

Series 4 Chair

Features

Heavy duty, removable armrests that can rotate for easy patient access

Solid steel back for easy cleaning and total patient support

Powder coated solid steel base with scuff resistance to maintain clean look

Dual articulating headrest with additional options available at no extra cost

Versatile with ability to be used in general practice, orthodontic or pediatric operatories

100% hydraulic movement provides a smooth, quiet experience

60° swivel for ideal positioning



Additional Headrest Options
41908
Ponytail Style



41909
Flat Style



41910
V Style

Series 4 Dental Chairs

All Narrow Back Upholstery includes detachable slings



ErgoBack with Plush Upholstery



ErgoBack with Asepsis Upholstery



Narrow Back with Plush Upholstery



Narrow Back with Asepsis Upholstery

S - Standard Features - Select Your Option

| | Part Number | Retail Price | TOTAL |
|--|-------------|--------------|-------|
| Step 1 Select Your Chair | | | |
| <input type="checkbox"/> Series 4 Dental Chair w/50W Transformer (Powers Chair & Edge Lights) | C4550 | \$8,330.00 | |
| Step 2 Select Your Back Style | | | |
| <input type="checkbox"/> ErgoBack Plush | 41185 | N/C | |
| <input type="checkbox"/> ErgoBack Asepsis | 41184 | N/C | |
| <input type="checkbox"/> Narrow Back Plush | 41183 | N/C | |
| <input type="checkbox"/> Narrow Back Asepsis | 41182 | N/C | |
| Step 3 Select Your Upholstery Type (See colors dciedge.com/request-samples) | | | |
| <input type="checkbox"/> Naugasoft Upholstery | 54631 | N/C | |
| <input type="checkbox"/> Ultraleather® Upholstery | 54632 | \$725.00 | |
| <input type="checkbox"/> Non-Standard Upholstery Upcharge per Chair* | 54644 | \$190.00 | |
| Step 4 Configure Your Chair | | | |
| S Foot Switch, 2 Pre-Program Positions, 1 Auto-Return | | Included | |
| <input type="checkbox"/> Delete Arm Rest | 41159 | -\$320.00 | |
| <input type="checkbox"/> Delete Foot Switch | 4895D | -\$190.00 | |
| <input type="checkbox"/> Touch Pad to Control Chair and Light - Mounted on Right | 51788 | \$610.00 | |
| <input type="checkbox"/> Touch Pad to Control Chair and Light - Mounted on Left | 51778 | \$610.00 | |
| <input type="checkbox"/> Accessory Connection Box with Air QD & Water QD w/flow control | 51779 | \$360.00 | |
| <input type="checkbox"/> Series 4 Chair Adapter with 2" Hub (For non DCI units) | 42865 | \$490.00 | |
| <input type="checkbox"/> Touch Pad to Control Chair and Light - Cabinet Mounted w/25' Harness | 55888 | \$680.00 | |
| <input type="checkbox"/> Series 4 J-Box Frame and Cover | 42866 | \$310.00 | |
| | | Sub-total | |
| | | QTY | |
| | | TOTAL | |

*Allow Additional 2 Weeks Above Standard Lead Time for all Non-Standard Upholstery. Manufacturer Part Number Required. Contact Customer Service to Confirm Availability

DCI Edge Dental Stools



S - Standard Features - Select Your Option

| | Part Number | Retail Price | TOTAL |
|---|-------------|--------------|-------|
| Step 1 Select Your Stool | | | |
| <input type="checkbox"/> Doctor's Stool | SD5051 | \$940.00 | |
| <input type="checkbox"/> Assistant's Stool with Body Support and Footring (Cylinder height range 23" to 29 1/2") | SA5051 | \$1,140.00 | |
| Step 2 Select Your Upholstery (See colors dciedge.com/request-samples) | | | |
| <input type="checkbox"/> Naugasoft Upholstery | 54633 | N/C | |
| <input type="checkbox"/> Ultraleather® Upholstery | 54634 | \$135.00 | |
| <input type="checkbox"/> Non-Standard Upholstery Upcharge per Stool* | 54646 | \$50.00 | |
| Step 3 Select Doctor Stool Cylinder Height | | | |
| <input type="checkbox"/> Standard Cylinder 18.5" to 23.5" | 2953 | N/C | |
| <input type="checkbox"/> Tall Cylinder 19" to 24" | 54106 | N/C | |

Kid Cushion



S - Standard Features - Select Your Option

| | Part Number | Retail Price | TOTAL |
|--|-------------|--------------|-------|
| Step 1 Select Your Upholstery | | | |
| <input type="checkbox"/> Kid Cushion - Naugasoft | 54635 | \$490.00 | |
| <input type="checkbox"/> Kid Cushion - Ultraleather® | 54636 | \$590.00 | |
| <input type="checkbox"/> Non-Standard Upholstery Upcharge per Kid Cushion* | 54645 | \$60.00 | |

*Allow Additional 2 Weeks Above Standard Lead Time for all Non-Standard Upholstery. Manufacturer Part Number Required
Contact Customer Service to Confirm Availability

CHAIR DELIVERY SYSTEMS



Series 5 Delivery System



Swing Mount



Post Mount



Swing Mount w/
Rear Cuspidor



Post Mount w/
Cuspidor



Series 5 Delivery System



Internal Components

Reliable pneumatic components & ample room for high tech integration



Cuspidor

Quickly disassembles for easy cleaning, includes safety break-away



Rear Assistant's Package

Mounts to rear of chair and includes chair touch pad.



Additional Head Pivot

Head swivels to improve access to instruments

Series 5 Swing Mount Delivery System



Image features optional NSK NLZE Electric Micromotor and Integrated Touchpad for an additional retail price of \$3,450.

| | | |
|--------|---|-------------|
| C5550 | DCI Series 5 Dental Chair | \$9,560.00 |
| DS5550 | DCI Series 5 Swing Mount Unit with Light Pole | \$7,970.00 |
| RM5551 | Rear Assistant's Package w/Chair Touch Pad | \$1,970.00 |
| LS5550 | DCI Series 5 LED System Light | \$3,810.00 |
| | | \$23,310.00 |

S - Standard Features - Select Your Option

| | | Part Number | Retail Price | TOTAL |
|--|--------------------------|-------------|--------------|------------|
| Step 1 Select Your Delivery System | | | | |
| Swing Mount Auto Dental Unit and Light Pole Complete Steps 1 thru 5 | <input type="checkbox"/> | DS5550 | Gray | \$7,970.00 |
| Swing Mount Auto Dental Unit Complete Steps 1, 2, 3 & 5 | <input type="checkbox"/> | DS5551 | Gray | \$7,230.00 |
| Swing Mount Light Pole Only Complete Steps 1 & 4 | <input type="checkbox"/> | DS5552 | Gray | \$1,050.00 |



POSITION: 0 1 2 3

0 1 2 3

0 1 2 3 4 5

Step 2 Configure Your Control Head

| | S= Standard Configuration 1 Precision Comfort air/water syringe 3 4-hole handpiece tubings | Syringe and air driven handpiece tubings are sterling color | <input type="checkbox"/> Default Instrument Position <input type="checkbox"/> Optional Instrument Position | Part Number | Holder Positions | | | | | | Retail Price | TOTAL |
|--------------------------|--|---|---|-------------|------------------|---|---|---|---|---|-----------------|-------|
| | | | | | 0 | 1 | 2 | 3 | 4 | 5 | | |
| S | DCI Precision Comfort Syringe and Tubing | | | | | | | | | | Included | |
| S | HP Tubing 4 Hole Asepsis | | | | | | | | | | Included | |
| <input type="checkbox"/> | HP Tubing ISO 5 Hole Power Optic & Bulb (Requires Light Source System) | | | | 9446E | | | | | | \$340.00 | |
| <input type="checkbox"/> | HP Tubing ISO-C 6 Pin Power Optic (Requires Light Source System) | | | | 8904E | | | | | | \$250.00 | |
| <input type="checkbox"/> | Delete HP Position 3 | | | | 4344E | | | | | | -\$40.00 | |
| <input type="checkbox"/> | Additional HP Position Includes Water Valve, Holder & HP Tubing (Not applicable if a scaler option is ordered) | | | | 52898G | | | | | | \$240.00 | |
| <input type="checkbox"/> | One Button Syringe w/Holder (for Air) | | | | 42845G | | | | | | \$140.00 | |
| <input type="checkbox"/> | NSK NLZE Electric Micromotor and Integrated Touchpad (Replaces 1 HP Position) | | | | 42843 | | | | | | \$3,450.00 | |
| <input type="checkbox"/> | Dentsply Sirona Cavitron® Steri-Mate 360 Scaler (Adds 1 HP Position) | | | | 42822 | | | | | | \$4,090.00 | |
| <input type="checkbox"/> | Acteon® Newtron LED Piezoelectric Scaler (Adds 1 HP Position) | | | | 42827 | | | | | | \$4,090.00 | |
| <input type="checkbox"/> | DTE Woodpecker Piezoelectric Scaler (Adds 1 HP Position) | | | | 42821 | | | | | | \$1,950.00 | |
| <input type="checkbox"/> | Acteon® Mini LED Curing Light | | | | 42816 | | | | | | \$2,510.00 | |
| <input type="checkbox"/> | DTE Woodpecker Curing Light | | | | 42811 | | | | | | \$1,230.00 | |
| <input type="checkbox"/> | Acteon® Sopro Camera Dock (Camera wand not included) | | | | 52785G | | | | | | \$3,380.00 | |
| <input type="checkbox"/> | Power Supply, required for one or more Scaler/Curing Light Options (when pairing with a Series 4 chair only) | | | | 59578 | | | | | | N/C | |
| <input type="checkbox"/> | Deluxe Single HP Light Source System | | | | 8313E | | | | | | \$180.00 | |
| <input type="checkbox"/> | Deluxe Dual HP Light Source System | | | | 9348E | | | | | | \$190.00 | |
| <input type="checkbox"/> | Deluxe Triple HP Light Source System | | | | 8311E | | | | | | \$590.00 | |
| <input type="checkbox"/> | Transformer for Light Source System (add when pairing with a Series 4 chair only) | | | | 9358E | | | | | | N/C | |
| S | Stainless Steel Tray and Non-Skid Pad | | | | | | | | | | Included | |
| S | Wet/Dry Foot Control | | | | | | | | | | Included | |
| S | Handpiece Flush | | | | | | | | | | Included | |
| <input type="checkbox"/> | Remote Cuspidor Controls (only available on DS5550 & DS5551) | | | | 52911 | | | | | | \$410.00 | |
| <input type="checkbox"/> | Add scaler/chip air button to foot control | | | | 4346E | | | | | | \$100.00 | |

Upon special request for left handed Drs, syringe can be Position 5, Electric motor position 4, etc.

Step 3 Configure Your Water System and Utilities

| | Part Number | Retail Price | TOTAL |
|--|---|-----------------|-----------------|
| Step 3A Configure Your Water System | | | |
| S | Self-Contained Water System w/Quick Switch 2L Bottle | Included | |
| Step 3B Configure your Junction Box and Utilities | | | |
| S | Internal Umbilical with 24" Pig Tail | Included | |
| <input type="checkbox"/> | Additional Umbilical Length Per Foot , includes sheath tubing - Qty:_____ | 52758 | \$70.00 |
| S | Series 5 Utility Center and Valves | 52806 | Included |
| <input type="checkbox"/> | Exchange Standard 5 J-box with Square Contoured J-box | 26087 | N/C |

Step 4 Configure Your Light

| | | | |
|--------------------------|---|--------|------------|
| S | No Light On Unit | | N/C |
| <input type="checkbox"/> | Flat Panel Monitor Top Mount (Gray) (In place of light) | 4824E | \$500.00 |
| <input type="checkbox"/> | System Mount Series 4 LED Light (Gray) (Dental Unit Or Chair Adapter and Light Pole Required) | LS4550 | \$3,200.00 |
| <input type="checkbox"/> | System Mount Series 5 LED Light (Gray) (Dental Unit Or Chair Adapter and Light Pole Required) | LS5550 | \$3,810.00 |
| <input type="checkbox"/> | Exchange Standard Pole for Pole with opening for Monitor Cable Routing | 53888G | N/C |

Step 5 Configure Your Rear Accessories

| | | | |
|--------------------------|---|--------|------------|
| S | No Rear Mounted Accessories | | N/C |
| <input type="checkbox"/> | Rear Assistant's Package with 4 Position Holder, 1 Syringe, 1 HVE, 1 SE & Chair Touch Pad | RM5551 | \$1,970.00 |
| <input type="checkbox"/> | Extra HVE, Tubing and Connector | 52907 | \$170.00 |
| <input type="checkbox"/> | Rear Cuspidor only | RM5650 | \$2,880.00 |
| <input type="checkbox"/> | Rear Cuspidor w/Bowl Mounted Assistant's Package - 1 Syringe, 1 HVE, 1 SE | RM5651 | \$3,460.00 |
| <input type="checkbox"/> | Series 5 Utility Center and Valves (Required when ordered w/out Dental Unit) | 52806 | \$710.00 |

Sub-total

QTY

TOTAL

Series 5 Post Mount Delivery System



NSK NLZE Electric Motor Integration



| | | |
|--------|---|-------------|
| C5550 | DCI Series 5 Dental Chair | \$9,560.00 |
| DO5550 | DCI Series 5 Over the Patient Dental Unit | \$8,700.00 |
| 52908 | Telescoping Assistant's Package | \$740.00 |
| LS5550 | DCI Series 5 LED System Light | \$3,810.00 |
| | | \$22,810.00 |

S - Standard Features - Select Your Option

| | Part Number | Retail Price | TOTAL |
|--|---------------------------------|--------------------|-------|
| Step 1 Select Your Delivery System | | | |
| Over the Patient Auto Dental Unit with Cuspidor & PMU Complete Steps 1 thru 4 | <input type="checkbox"/> DO5650 | Gray \$9,490.00 | |
| Over the Patient Auto Dental Unit with PMU Complete Steps 1 thru 4 | <input type="checkbox"/> DO5550 | Gray \$8,700.00 | |
| Post Mount Utilities (PMU) with Cuspidor Complete Steps 1, 3 and 4 | <input type="checkbox"/> DO5652 | Gray \$5,520.00 | |

All Units Include Chair Mount

STANDARD CONFIGURATION



NSK NLZE INTEGRATION CONFIGURATION



NSK NLZE + OPTIONAL DEVICE INTEGRATION CONFIGURATION



POSITION: 0 1 2 3

0 1 2 3

0 1 2 3 4 5

Step 2 Configure Your Control Head

| | S= Standard Configuration 1 Precision Comfort air/water syringe 3 4-hole handpiece tubings | Syringe and air driven handpiece tubings are sterling color | <input type="checkbox"/> Default Instrument Position <input type="checkbox"/> Optional Instrument Position | Part Number | Holder Positions | | | | | | Retail Price | TOTAL | |
|-------------------------------------|--|---|---|-------------|------------------|---|---|---|---|---|--------------|-----------------|--|
| | | | | | 0 | 1 | 2 | 3 | 4 | 5 | | | |
| <input checked="" type="checkbox"/> | DCI Precision Comfort A/W Syringe and Tubing | | | | | | | | | | | Included | |
| <input checked="" type="checkbox"/> | HP Tubing 4 Hole Asepsis | | | | | | | | | | | Included | |
| <input type="checkbox"/> | HP Tubing ISO 5 Hole Power Optic & Bulb (Requires Light Source System) | | | | 9446E | | | | | | | \$340.00 | |
| <input type="checkbox"/> | HP Tubing ISO-C 6 Pin Power Optic (Requires Light Source System) | | | | 8904E | | | | | | | \$250.00 | |
| <input type="checkbox"/> | Delete HP Position 3 | | | | 4344E | | | | | | | -\$40.00 | |
| <input type="checkbox"/> | Add HP Position Includes Water Valve, Holder & HP Tubing (Not applicable if a scaler option is ordered) | | | | 52898G | | | | | | | \$240.00 | |
| <input type="checkbox"/> | One Button Syringe w/Holder (for Air) | | | | 42845G | | | | | | | \$140.00 | |
| <input type="checkbox"/> | NSK NLZE Electric Micromotor and Integrated Touchpad (Replaces 1 HP Position) | | | | 42843 | | | | | | | \$3,450.00 | |
| <input type="checkbox"/> | Dentsply Sirona Cavitron® Steri-Mate 360 Scaler (Adds 1 HP Position) | | | | 42822 | | | | | | | \$4,090.00 | |
| <input type="checkbox"/> | Acteon® Newtron LED Piezoelectric Scaler (Adds 1 HP Position) | | | | 42827 | | | | | | | \$4,090.00 | |
| <input type="checkbox"/> | DTE Woodpecker Piezoelectric Scaler (Adds 1 HP Position) | | | | 42821 | | | | | | | \$1,950.00 | |
| <input type="checkbox"/> | Acteon® Mini LED Curing Light | | | | 42816 | | | | | | | \$2,510.00 | |
| <input type="checkbox"/> | DTE Woodpecker Curing Light | | | | 42811 | | | | | | | \$1,230.00 | |
| <input type="checkbox"/> | Acteon® Sopro Camera Dock (Camera wand not included) | | | | 52785G | | | | | | | \$3,380.00 | |
| <input type="checkbox"/> | Power Supply, Required for one or more Scaler/Curing Light Options (when pairing with a Series 4 chair only) | | | | 59578 | | | | | | | N/C | |
| <input type="checkbox"/> | Deluxe Single HP Light Source System | | | | 8313E | | | | | | | \$180.00 | |
| <input type="checkbox"/> | Deluxe Dual HP Light Source System | | | | 9348E | | | | | | | \$190.00 | |
| <input type="checkbox"/> | Deluxe Triple HP Light Source System | | | | 8311E | | | | | | | \$590.00 | |
| <input type="checkbox"/> | Transformer for Light Source System (add when pairing with a Series 4 chair only) | | | | 9358E | | | | | | | N/C | |
| <input checked="" type="checkbox"/> | Stainless Steel Tray and Non-Skid Pad | | | | | | | | | | | Included | |
| <input checked="" type="checkbox"/> | Wet/Dry Foot Control | | | | | | | | | | | Included | |
| <input checked="" type="checkbox"/> | Handpiece Flush | | | | | | | | | | | Included | |
| <input type="checkbox"/> | Remote Cuspidor Controls (Available on DO5650 Only) | | | | 52911 | | | | | | | \$410.00 | |
| <input type="checkbox"/> | Add scaler/chip air button to foot control | | | | 4346E | | | | | | | \$100.00 | |

Upon special request for left handed Drs, syringe can be Position 5, Electric motor position 4, etc.

Step 3 Configure Your Post Mounted Utility Center

| | | Part Number | Retail Price | TOTAL |
|--|---|-------------|--------------|-----------------|
| Step 3A Configure Your Assistant's Package | | | | |
| <input type="checkbox"/> | Telescoping Arm w/4 Position Holder, 1 Syringe, 1 HVE & 1 SE | | 52908 | \$740.00 |
| <input type="checkbox"/> | Extra HVE, Tubing and Connector | | 52907 | \$170.00 |
| <input type="checkbox"/> | Autoclavable Dry Oral Cup | | 5840E | \$42.00 |
| <input type="checkbox"/> | Cuspidor Mounted Assistant's Package - 1 Syringe, 1 HVE & 1 SE (Available on DO5650 Only) | | 52905S | \$540.00 |
| Step 3B Configure Your PMU & Cuspidor | | | | |
| <input checked="" type="checkbox"/> | Self-Contained Water System w/Quick Switch 2L Bottle | | | Included |
| <input checked="" type="checkbox"/> | Air QD and Water QD with flow control | | | Included |
| Step 3C Configure your Junction Box and Utilities | | | | |
| <input checked="" type="checkbox"/> | Internal Umbilical with 24" Pig Tail | | | Included |
| <input type="checkbox"/> | Additional Umbilical Length Per Foot - Qty: ____ | | 52758 | \$70.00 |
| <input checked="" type="checkbox"/> | Series 5 Utility Center and Valves | | 52806 | Included |
| <input type="checkbox"/> | Exchange Standard 5 J-box with Square Contoured J-box | | 26087 | N/C |

Step 4 Configure Your Light

| | | | | |
|-------------------------------------|---|--|--------|------------|
| <input checked="" type="checkbox"/> | No Light On Unit | | | N/C |
| <input type="checkbox"/> | System Mount Series 4 LED Light (Gray) (Dental Unit Or Chair Adapter and Light Pole Required) | | LS4550 | \$3,200.00 |
| <input type="checkbox"/> | System Mount Series 5 LED Light (Gray) (Dental Unit Or Chair Adapter and Light Pole Required) | | LS5550 | \$3,810.00 |
| <input type="checkbox"/> | Exchange Standard Pole for Pole with opening for Monitor Cable Routing | | 53888G | N/C |
| | | | | Sub-total |
| | | | | QTY |
| | | | | TOTAL |

Series 5 Side Delivery



Series 5 Side Delivery (DW5050)

Requires 33" wide opening

S - Standard Features - Select Your Option

| | | Part Number | Retail Price | TOTAL |
|--|--------------------------|-------------|-----------------|-------|
| Step 1 Select Your Delivery System | | | | |
| Series 5 Side Delivery Auto Dental Unit w/Touchpads & Mount- Includes 25' Harness Can only be paired w/DCI Edge Chair Complete Steps 1 thru 3 | <input type="checkbox"/> | DW5550 | Gray \$6,140.00 | |
| Series 5 Side Delivery Auto Dental Unit & Mount w/o Touch Pads Complete Steps 1 thru 3 | <input type="checkbox"/> | DW5050 | Gray \$5,760.00 | |



Step 2 Configure Your Control Head

| | Syringe and air driven handpiece tubings are sterling color | Standard delivery head includes 4 holders and 3 4-hole handpiece tubings | <input type="checkbox"/> Default Instrument Position <input type="checkbox"/> Optional Instrument Position | Part Number | Holder Positions | | | | | | Retail Price | TOTAL |
|-------------------------------------|---|--|---|-------------|------------------|---|---|---|---|---|--------------|-------|
| | | | | | 0 | 1 | 2 | 3 | 4 | 5 | | |
| <input checked="" type="checkbox"/> | DCI Precision Comfort A/W Syringe and Tubing | | | | | | | | | | N/C | |
| <input checked="" type="checkbox"/> | HP Tubing 4 Hole Asepsis | | | | | | | | | | N/C | |
| <input type="checkbox"/> | HP Tubing ISO 5 Hole Power Optic & Bulb (Requires Light Source System) | | | | 9446E | | | | | | \$340.00 | |
| <input type="checkbox"/> | HP Tubing ISO-C 6 Pin Power Optic (Requires Light Source System) | | | | 8904E | | | | | | \$250.00 | |
| <input type="checkbox"/> | Delete HP Position 3 | | | | 4344E | | | | | | -\$40.00 | |
| <input type="checkbox"/> | Add HP Position Includes Water Valve, Holder & HP Tubing (Not applicable if a scaler option is ordered) | | | | 52898G | | | | | | \$240.00 | |
| <input type="checkbox"/> | One Button Syringe w/Holder (for Air) | | | | 42845G | | | | | | \$140.00 | |
| <input type="checkbox"/> | NSK NLZE Electric Micromotor and Integrated Touchpad (Replaces 1 HP Position) | | | | 42789 | | | | | | \$3,450.00 | |
| <input type="checkbox"/> | Dentsply Sirona Cavitron® Steri-Mate 360 Scaler (Adds 1 HP Position) | | | | 42822 | | | | | | \$4,090.00 | |
| <input type="checkbox"/> | Acteon® Newtron LED Piezoelectric Scaler (Adds 1 HP Position) | | | | 42827 | | | | | | \$4,090.00 | |
| <input type="checkbox"/> | DTE Woodpecker Piezoelectric Scaler (Adds 1 HP Position) | | | | 42821 | | | | | | \$1,950.00 | |
| <input type="checkbox"/> | Acteon® Mini LED Curing Light | | | | 42816 | | | | | | \$2,510.00 | |
| <input type="checkbox"/> | DTE Woodpecker Curing Light | | | | 42811 | | | | | | \$1,230.00 | |
| <input type="checkbox"/> | Acteon® Sopro Camera Dock (Camera wand not included) | | | | 52785G | | | | | | \$3,380.00 | |
| <input type="checkbox"/> | Power Supply, Required for one or more Scaler/Curing Light Options | | | | 59578 | | | | | | N/C | |
| <input type="checkbox"/> | Deluxe Single HP Light Source System w/Transformer | | | | 8404E | | | | | | \$180.00 | |
| <input type="checkbox"/> | Deluxe Dual HP Light Source System, w/Transformer | | | | 9378E | | | | | | \$190.00 | |
| <input type="checkbox"/> | Deluxe Three HP Light Source System w/Transformer | | | | 8353E | | | | | | \$590.00 | |
| <input checked="" type="checkbox"/> | Stainless Steel Tray and Non-Skid Pad | | | | | | | | | | Included | |
| <input checked="" type="checkbox"/> | Wet/Dry Foot Control | | | | | | | | | | Included | |
| <input checked="" type="checkbox"/> | Handpiece Flush | | | | | | | | | | Included | |
| <input type="checkbox"/> | Add scaler/chip air button to foot control | | | | 4346E | | | | | | \$100.00 | |

Step 3 Configure Side Delivery

| | | | | |
|-------------------------------------|--|-------|-----------|--|
| <input type="checkbox"/> | Wall Mounting Board | 4222E | \$470.00 | |
| <input checked="" type="checkbox"/> | Deluxe Water System | 4788E | N/C | |
| <input type="checkbox"/> | Delete Deluxe Water System | 4355E | -\$80.00 | |
| <input type="checkbox"/> | Delete Asepsis Utility Center and Valves | 4347E | -\$190.00 | |
| | | | Sub-total | |
| | | | QTY | |
| | | | TOTAL | |

Series 5 Swing Mount Delivery System on Non DCI Chairs

- Upgrade your delivery system without the expense of a new chair.
- Designed to mount to most dental chairs.



S - Standard Features - Select Your Option

Part Number

Retail Price

TOTAL

Step 1 Select Your Delivery System & Color

Series 5

| | | | | |
|---|--------|------|------------|--|
| <input type="checkbox"/> Series 5 Swing Mount Auto Dental Unit and Light Pole Complete Steps 1 thru 5 | DS5050 | Gray | \$7,350.00 | |
| <input type="checkbox"/> Series 5 Swing Mount Auto Dental Unit Complete Steps 1, 2, 3 & 5 | DS5051 | Gray | \$6,620.00 | |

Step 2 Configure Your Control Head

| | S = Standard Configuration 1 Precision Comfort air/water syringe 3 4-hole handpiece tubings | Syringe and air driven handpiece tubings are sterling color | <input type="checkbox"/> Default Instrument Position <input type="checkbox"/> Optional Instrument Position | Part Number | Holder Positions | | | | | | Retail Price | TOTAL |
|--|---|---|---|-------------|------------------|---|---|---|---|---|--------------|-------|
| | | | | | 0 | 1 | 2 | 3 | 4 | 5 | | |
| <input checked="" type="checkbox"/> DCI Precision Comfort A/W Syringe and Tubing | | | | | | | | | | | N/C | |
| <input checked="" type="checkbox"/> HP Tubing 4 Hole Asepsis | | | | | | | | | | | N/C | |
| <input type="checkbox"/> HP Tubing ISO 5 Hole Power Optic & Bulb (Requires Light Source System) | | | | 9446E | | | | | | | \$340.00 | |
| <input type="checkbox"/> HP Tubing ISO-C 6 Pin Power Optic (Requires Light Source System) | | | | 8904E | | | | | | | \$250.00 | |
| <input type="checkbox"/> Delete HP Position 3 | | | | 4344E | | | | | | | -\$40.00 | |
| <input type="checkbox"/> Add HP Position Includes Water Valve, Holder & HP Tubing (Not applicable if a scaler option is ordered) | | | | 52898G | | | | | | | \$240.00 | |
| <input type="checkbox"/> One Button Syringe w/Holder (for Air) | | | | 42845G | | | | | | | \$140.00 | |
| <input type="checkbox"/> NSK NLZE Electric Micromotor and Integrated Touchpad (Replaces 1 HP Position) | | | | 42789 | | | | | | | \$3,450.00 | |
| <input type="checkbox"/> Dentsply Sirona Cavitron® Steri-Mate 360 Scaler (Adds 1 HP Position) | | | | 42822 | | | | | | | \$4,090.00 | |
| <input type="checkbox"/> Acteon® Newtron LED Piezoelectric Scaler (Adds 1 HP Position) | | | | 42827 | | | | | | | \$4,090.00 | |
| <input type="checkbox"/> DTE Woodpecker Piezoelectric Scaler (Adds 1 HP Position) | | | | 42821 | | | | | | | \$1,950.00 | |
| <input type="checkbox"/> Acteon® Mini LED Curing Light | | | | 42816 | | | | | | | \$2,510.00 | |
| <input type="checkbox"/> DTE Woodpecker Curing Light | | | | 42811 | | | | | | | \$1,230.00 | |
| <input type="checkbox"/> Acteon® Sopro Camera Dock (Camera wand not included) | | | | 52785G | | | | | | | \$3,380.00 | |
| <input type="checkbox"/> Power Supply, Required for one or more Scaler/Curing Light Options | | | | 59578 | | | | | | | N/C | |
| <input type="checkbox"/> Deluxe Single HP Light Source System w/Transformer | | | | 8404E | | | | | | | \$180.00 | |
| <input type="checkbox"/> Deluxe Dual HP Light Source System w/Transformer | | | | 9378E | | | | | | | \$190.00 | |
| <input type="checkbox"/> Deluxe Three HP Light Source System w/Transformer | | | | 8353E | | | | | | | \$590.00 | |
| <input checked="" type="checkbox"/> Stainless Steel Tray and Non-Skid Pad | | | | | | | | | | | Included | |
| <input checked="" type="checkbox"/> Wet/Dry Foot Control | | | | | | | | | | | Included | |
| <input checked="" type="checkbox"/> Hand-Piece Flush | | | | | | | | | | | Included | |
| <input type="checkbox"/> Add scaler/chip air button to foot control | | | | 4346E | | | | | | | \$100.00 | |

Step 3 Configure Water System & Utilities

| | | Part Number | Retail Price | TOTAL |
|--|--|-------------|--------------|-------|
| Step 3A Configure Your Water System | | | | |
| S | Self Contained Water System with Quick Switch 2L Bottle Included | | Included | |
| Step 3B Configure your Junction Box and Utilities | | | | |
| S | 6' Umbilical Tubing | | Included | |
| <input type="checkbox"/> | Additional Umbilical Length Per Foot, includes sheath tubing - Qty____ | 52758 | \$70.00 | |
| S | Asepsis Utility Center and Valves | | Included | |
| <input type="checkbox"/> | Delete Asepsis Utility Center and Valves | 4347E | -\$190.00 | |

Step 4 Configure Your Light

| | | | | |
|--------------------------|--|--------|------------|--|
| S | No Light On Unit | | N/C | |
| <input type="checkbox"/> | Flat Panel Monitor Top Mount (Gray) (In place of light) | 4824E | \$500.00 | |
| <input type="checkbox"/> | Post Mount Series 4 LED Light (Gray) (Requires Light Post 4766E) | LP4050 | \$3,200.00 | |
| <input type="checkbox"/> | Post Mount Series 5 LED Light (Gray) (Requires Light Post 4766E) | LP5050 | \$3,810.00 | |
| <input type="checkbox"/> | Light Post With P&C Bushing, 24" For Series 4 (Gray) | 4766E | \$280.00 | |

Step 5 Configure Your Chair Mount (Required)

| | | | | |
|--------------------------|---|------|-----------|--|
| <input type="checkbox"/> | To Fit A-dec® Cascade® 1040 | 4489 | \$480.00 | |
| <input type="checkbox"/> | To Fit A-dec® Priority 1005 & 1010 | 4498 | \$480.00 | |
| <input type="checkbox"/> | To Fit A-dec® Decade® 1020, 1021 & 1015 | 9246 | \$480.00 | |
| <input type="checkbox"/> | To Fit Belmont Bel 20/50/Celebrity | 4492 | \$480.00 | |
| <input type="checkbox"/> | To Fit Belmont AcuTrac | 4501 | \$480.00 | |
| <input type="checkbox"/> | To Fit Marus DC1490, DC1690, DC1700, DC1702 | 4491 | \$480.00 | |
| <input type="checkbox"/> | To Fit Pelton 1500, 1800, 2000, 3000 | 4489 | \$480.00 | |
| <input type="checkbox"/> | To Fit DCI Equipment 1235 , Pelton 1700 | 4491 | \$480.00 | |
| | | | Sub-total | |
| | | | QTY | |
| | | | TOTAL | |

A-dec®, Cascade® and Decade® are registered trademarks of A-dec, Inc. DCI has no affiliation with A-dec and A-dec has not authorized DCI replacement parts to be used on or in connection with A-dec® products.

Series 5 Post Mount Delivery System on Non DCI Chairs

- Upgrade your delivery system without the expense of a new chair.
- Designed to mount to most dental chairs.



S - Standard Features - Select Your Option

| | Part Number | Retail Price | TOTAL |
|--|---------------------------------|--------------|------------|
| Step 1 Select Your Delivery System & Color | | | |
| Series 5 | | | |
| Series 5 Over the Patient Dental Unit with Cuspidor & PMU Complete Steps 1 thru 5 | <input type="checkbox"/> DO5150 | Gray | \$8,890.00 |
| Series 5 Over the Patient Dental Unit with PMU Complete Steps 1 thru 5 | <input type="checkbox"/> DO5050 | Gray | \$8,080.00 |
| Series 5 PMU w/Cuspidor Complete Steps 1 & 3 thru 5 | <input type="checkbox"/> DO5152 | Gray | \$4,910.00 |

Step 2 Select Your Control Head Options

| S= Standard Configuration 1 Precision Comfort air/water syringe 3 4-hole handpiece tubings | Syringe and air driven handpiece tubings are sterling color | <input type="checkbox"/> Default Instrument Position <input type="checkbox"/> Optional Instrument Position | Part Number | Holder Positions | | | | | | Retail Price | TOTAL |
|--|--|---|-------------|------------------|---|---|---|---|---|--------------|-------|
| | | | | 0 | 1 | 2 | 3 | 4 | 5 | | |
| S | DCI Precision Comfort A/W Syringe and Tubing | | | | | | | | | N/C | |
| S | HP Tubing 4 Hole Asepsis | | | | | | | | | N/C | |
| <input type="checkbox"/> | HP Tubing ISO 5 Hole Power Optic & Bulb (Requires Light Source System) | | 9446E | | | | | | | \$340.00 | |
| <input type="checkbox"/> | HP Tubing ISO-C 6 Pin Power Optic (Requires Light Source System) | | 8904E | | | | | | | \$250.00 | |
| <input type="checkbox"/> | Delete HP Position 3 | | 4344E | | | | | | | -\$40.00 | |
| <input type="checkbox"/> | Add HP Position Includes Water Valve, Holder & HP Tubing (Not applicable if a scaler option is ordered) | | 52898G | | | | | | | \$240.00 | |
| <input type="checkbox"/> | One Button Syringe w/Holder (for Air) | | 42845G | | | | | | | \$140.00 | |
| <input type="checkbox"/> | NSK NLZE Electric Micromotor and Integrated Touchpad (Replaces 1 HP Position) | | 42789 | | | | | | | \$3,450.00 | |
| <input type="checkbox"/> | Dentsply Sirona Cavitron® Steri-Mate 360 Scaler (Adds 1 HP Position) | | 42822 | | | | | | | \$4,090.00 | |
| <input type="checkbox"/> | Acteon® Newtron LED Piezoelectric Scaler (Adds 1 HP Position) | | 42827 | | | | | | | \$4,090.00 | |
| <input type="checkbox"/> | DTE Woodpecker Piezoelectric Scaler (Adds 1 HP Position) | | 42821 | | | | | | | \$1,950.00 | |
| <input type="checkbox"/> | Acteon® Mini LED Curing Light | | 42816 | | | | | | | \$2,510.00 | |
| <input type="checkbox"/> | DTE Woodpecker Curing Light | | 42811 | | | | | | | \$1,230.00 | |
| <input type="checkbox"/> | Acteon® Sopro Camera Dock (Camera wand not included) | | 52785G | | | | | | | \$3,380.00 | |
| <input type="checkbox"/> | Power Supply, Required for one or more Scaler/Curing Light Options | | 59578 | | | | | | | N/C | |
| <input type="checkbox"/> | Deluxe Single HP Light Source System w/Transformer | | 8404E | | | | | | | \$180.00 | |
| <input type="checkbox"/> | Deluxe Dual HP Light Source System, w/Transformer | | 9378E | | | | | | | \$190.00 | |
| <input type="checkbox"/> | Deluxe Three HP Light Source System w/Transformer | | 8353E | | | | | | | \$590.00 | |
| S | Stainless Steel Tray and Non-Skid Pad | | | | | | | | | Included | |
| S | Wet/Dry Foot Control | | | | | | | | | Included | |
| S | Hand-Piece Flush | | | | | | | | | Included | |
| <input type="checkbox"/> | Add scaler/chip air button to foot control | | 4346E | | | | | | | \$100.00 | |

Step 3 Configure Your Post Mounted Utility Center

| | | Part Number | Retail Price | TOTAL |
|---|---|-------------|--------------|-------|
| Step 3A Assistant's Package | | | | |
| <input type="checkbox"/> | Series 5 Telescoping Arm w/4 Position Holder, 1 Syringe, 1 SE & 1 HVE (Gray) | 52908 | \$740.00 | |
| <input type="checkbox"/> | Series 5 Extra HVE, Tubing and Connector | 52907 | \$170.00 | |
| <input type="checkbox"/> | Cuspidor Mounted Assistant's Package, 1 Syringe, 1 HVE & 1 SE (Available on DO5150 & DO5152 only) | 52905S | \$540.00 | |
| <input type="checkbox"/> | Autoclavable Dry Oral Cup | 5840E | \$42.00 | |
| Step 3B Water System | | | | |
| S | Self Contained Water System with Quick Switch 2 Liter Bottle | | Included | |
| S | Air QD and Water QD with flow control | | Included | |
| Step 3C Junction Box and Utilities | | | | |
| S | 6' Umbilical Tubing | | Included | |
| <input type="checkbox"/> | Series 5 Additional Umbilical Length Per Foot, includes sheath tubing - Qty____ | 52758 | \$70.00 | |
| S | Asepsis Utility Center and Valves | | Included | |
| <input type="checkbox"/> | Delete Asepsis Utility Center and Valves | 4347E | -\$190.00 | |

Step 4 Configure Your Light

| | | | | |
|--------------------------|--|--------|------------|--|
| S | No Light On Unit | | N/C | |
| <input type="checkbox"/> | Post Mount Series 4 LED Light (Gray) (Requires DCI Edge Light Post 53900G) | LP4050 | \$3,200.00 | |
| <input type="checkbox"/> | Post Mount Series 5 LED Light (Gray) (Requires DCI Edge Light Post 53900G) | LP5050 | \$3,810.00 | |
| <input type="checkbox"/> | Light Post w/Pelton & Crane Bushing, 30" (Gray) | 53900G | \$310.00 | |

Step 5 Configure Your Chair Mount Adapter

| | | | | |
|--------------------------|--|-------|-----------|--|
| S | No Chair Mount | | N/C | |
| <input type="checkbox"/> | To Fit A-dec® Cascade® 1040 | 8522E | \$480.00 | |
| <input type="checkbox"/> | To Fit A-dec® Priority 1005 & 1010 | 8515E | \$480.00 | |
| <input type="checkbox"/> | To Fit A-dec® Decade® 1020, 1021, 1221 & 1015 | 8500E | \$410.00 | |
| <input type="checkbox"/> | To Fit A-dec® 500® | 8538E | \$410.00 | |
| <input type="checkbox"/> | To Fit Belmont Bel 20,50/Celebrity/Westar 2001 & 5000/LSM DC-1000 & C0H0 | 8493E | \$480.00 | |
| <input type="checkbox"/> | To Fit Belmont AcuTrac, B99 & Celesta | 8917E | \$480.00 | |
| <input type="checkbox"/> | To Fit DentalEZ E3000 | 8552E | \$480.00 | |
| <input type="checkbox"/> | To Fit DentalEZ Advantage E2000 | 8919E | \$480.00 | |
| <input type="checkbox"/> | To Fit Marus Pro/DCI Equipment, Pelton & Crane 1700 | 8561E | \$480.00 | |
| <input type="checkbox"/> | To Fit Pelton Spirit, 1500, 1800, 2000, 3000 /Schein Empire | 8918E | \$410.00 | |
| <input type="checkbox"/> | To Fit Royal | 8497E | \$410.00 | |
| | | | Sub-total | |
| | | | QTY | |
| | | | TOTAL | |

Contact Customer Service for Adapters Not Listed

A-dec®, Cascade®, Decade® and A-dec 500® and are registered trademarks of A-dec, Inc. DCI has no affiliation with A-dec and A-dec has not authorized DCI replacement parts to be used on or in connection with A-dec® products.

Series 4 Delivery System

OPTION



NSK NLZE Electric Motor Integration



Swing Mount



Swing Mount with Cuspidor



Post Mount



Post Mount with Cuspidor



Series 4 Swing Mount Delivery System



OPTION
NSK NLZE Electric Motor Integration
Image shown with Chair Touch Pad

Featured with optional touch pad.

| | | |
|--------|---|-------------|
| C4550 | DCI Series 4 Dental Chair | \$8,330.00 |
| DS4550 | DCI Series 4 Swing Mount Unit with Light Pole | \$6,140.00 |
| RM4551 | Rear Assistant's Package | \$1,740.00 |
| LS4550 | DCI Series 4 LED System Light | \$3,200.00 |
| | | \$19,410.00 |

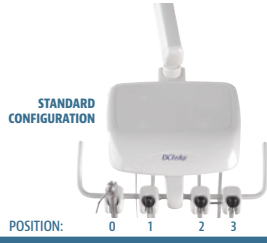
S - Standard Features - Select Your Option

| Part Number | Retail Price | TOTAL |
|-------------|--------------|-------|
|-------------|--------------|-------|

Step 1 Select Your Delivery System

| | | | | | |
|--|--------------------------|--------|------|------------|--|
| Swing Mount Auto Dental Unit and Light Pole Complete Steps 1 thru 5 | <input type="checkbox"/> | DS4550 | Gray | \$6,140.00 | |
| Swing Mount Auto Dental Unit Complete Steps 1, 2, 3 and 5 | <input type="checkbox"/> | DS4551 | Gray | \$5,390.00 | |
| Swing Mount Light Pole Only Complete Steps 1 and 4 | <input type="checkbox"/> | DS4552 | Gray | \$1,050.00 | |

All Units Include Chair Mount



Step 2 Configure Your Control Head

| | S= Standard Configuration 1 Precision Comfort air/water syringe 3 4-hole handpiece tubings | Syringe and air driven handpiece tubings are sterling color | <input type="checkbox"/> Default Instrument Position <input type="checkbox"/> Optional Instrument Position | Part Number | Holder Positions | | | | | | Retail Price | TOTAL |
|--------------------------|--|---|---|-------------|------------------|---|---|---|---|---|--------------|-------|
| | | | | | 0 | 1 | 2 | 3 | 4 | 5 | | |
| S | DCI Precision Comfort A/W Syringe and Tubing | | | | | | | | | | N/C | |
| S | HP Tubing 4 Hole Asepsis | | | | | | | | | | N/C | |
| <input type="checkbox"/> | HP Tubing ISO 5 Hole Power Optic & Bulb (Requires Light Source System) | | | | 9446E | | | | | | \$340.00 | |
| <input type="checkbox"/> | HP Tubing ISO-C 6 Pin Power Optic (Requires Light Source System) | | | | 8904E | | | | | | \$250.00 | |
| <input type="checkbox"/> | Delete HP Position 3 | | | | 4344E | | | | | | -\$40.00 | |
| <input type="checkbox"/> | Add HP Position Includes Water Valve, Holder & HP Tubing (Not applicable if a scaler option is ordered) | | | | 4468E | | | | | | \$240.00 | |
| <input type="checkbox"/> | One Button Syringe w/Holder (for Air) | | | | 42845G | | | | | | \$140.00 | |
| <input type="checkbox"/> | NSK NLZE Electric Micromotor and Integrated Touchpad (Replaces 1 HP Position) | | | | 42833 | | | | | | \$3,450.00 | |
| <input type="checkbox"/> | Dentsply Sirona Cavitron® Steri-Mate 360 Scaler (Adds 1 HP Position) | | | | 42830G | | | | | | \$4,090.00 | |
| <input type="checkbox"/> | Acteon® Newtron LED Piezoelectric Scaler (Adds 1 HP Position) | | | | 42825G | | | | | | \$4,090.00 | |
| <input type="checkbox"/> | DTE Woodpecker Piezoelectric Scaler (Adds 1 HP Position) | | | | 42819G | | | | | | \$1,950.00 | |
| <input type="checkbox"/> | Acteon® Mini LED Curing Light | | | | 42814G | | | | | | \$2,510.00 | |
| <input type="checkbox"/> | DTE Woodpecker Curing Light | | | | 42809G | | | | | | \$1,230.00 | |
| <input type="checkbox"/> | Acteon® Sopro Camera Dock (Camera wand not included) | | | | 42838G | | | | | | \$3,380.00 | |
| <input type="checkbox"/> | Power Supply, Required for one or more Scaler/Curing Light Options (when pairing with a Series 4 chair only) | | | | 59578 | | | | | | N/C | |
| <input type="checkbox"/> | Deluxe Single HP Light Source System | | | | 8313E | | | | | | \$180.00 | |
| <input type="checkbox"/> | Deluxe Dual HP Light Source System | | | | 9348E | | | | | | \$190.00 | |
| <input type="checkbox"/> | Deluxe Triple HP Light Source System | | | | 8311E | | | | | | \$590.00 | |
| <input type="checkbox"/> | Transformer, Required for Light Source System (when pairing with a Series 4 chair only) | | | | 9358E | | | | | | N/C | |
| <input type="checkbox"/> | Touch pad to control chair and light (Right side of head) for NSK Display Configured | | | | 42799 | | | | | | \$510.00 | |
| <input type="checkbox"/> | Touch pad to control chair and light (Right side of head) | | | | 51777 | | | | | | \$540.00 | |
| <input type="checkbox"/> | Touch pad to control chair and light (Left side of head) | | | | 51776 | | | | | | \$540.00 | |
| S | Stainless Steel Tray and Non-Skid Pad | | | | | | | | | | Included | |
| S | Wet/Dry Foot Control | | | | | | | | | | Included | |
| S | Handpiece Flush | | | | | | | | | | Included | |
| <input type="checkbox"/> | Remote Cuspidor Controls (DS4550 & DS4551 only) | | | | 52911 | | | | | | \$410.00 | |
| <input type="checkbox"/> | Add scaler/chip air button to foot control | | | | 4346E | | | | | | \$100.00 | |

Step 3 Configure Your Water System and Utilities

| | Part Number | Retail Price | TOTAL |
|--|---|--------------|----------|
| Step 3A Configure Your Water System | | | |
| S | Self-Contained Water System w/Quick Switch 2L Bottle | | Included |
| Step 3B Configure your Junction Box and Utilities | | | |
| S | Internal Umbilical with 24" Pig Tail | | Included |
| <input type="checkbox"/> | Additional Umbilical Length Per Foot - Qty:___ | 52758 | \$70.00 |
| S | Series 4 Utility Center and Valves | | Included |
| <input type="checkbox"/> | Exchange Standard J-box with Square Contoured J-box | 26087 | N/C |

Step 4 Configure Your Light

| | | | |
|--------------------------|---|--------|------------|
| S | No Light On Unit | | N/C |
| <input type="checkbox"/> | Flat Panel Monitor Top Mount (Gray) (in place of light) | 4824E | \$500.00 |
| <input type="checkbox"/> | System Mount Series 4 LED Light (Gray) (Dental Unit Or Chair Adapter and Light Pole Required) | LS4550 | \$3,200.00 |
| <input type="checkbox"/> | System Mount Series 5 LED Light (Gray) (Dental Unit Or Chair Adapter and Light Pole Required) | LS5550 | \$3,810.00 |
| <input type="checkbox"/> | Exchange Standard Pole for Pole with opening for Monitor Cable Routing | 53888G | N/C |

Step 5 Configure Your Rear Accessories

| | | | |
|--------------------------|--|--------|------------|
| S | No Rear Mounted Accessories | | N/C |
| <input type="checkbox"/> | Rear Assistant's Package with 4 Position Holder, 1 Syringe, 1 HVE & 1 SE | RM4551 | \$1,740.00 |
| <input type="checkbox"/> | Extra HVE, Tubing and Connector | 52907 | \$170.00 |
| <input type="checkbox"/> | Rear Cuspidor only | RM4650 | \$2,430.00 |
| <input type="checkbox"/> | Rear Cuspidor with Bowl Mounted Syringe, HVE & SE | RM4651 | \$2,980.00 |
| <input type="checkbox"/> | Series 4 Utility Center and Valves (Required when ordered w/out Dental Unit) | 42851 | \$750.00 |

Sub-total
QTY
TOTAL

Series 4 Post Mount Delivery System



NSK NLZE Electric Motor Integration
Image shown with Chair Touch Pad

| | | |
|--------|--|-------------|
| C4550 | DCI Series 4 Dental Chair | \$8,330.00 |
| DO4650 | DCI Series 4 Over the Patient Dental Unit w/Cuspidor | \$6,060.00 |
| 52906G | Telescoping Assistant's Package | \$640.00 |
| LS4550 | DCI Series 4 LED System Light | \$3,200.00 |
| | | \$18,230.00 |

S - Standard Features - Select Your Option

| | | Part Number | Retail Price | TOTAL |
|--|--------------------------|-------------|--------------|------------|
| Step 1 Select Your Delivery System | | | | |
| Over the Patient Auto Dental Unit with Cuspidor & PMU Complete Steps 1 thru 4 | <input type="checkbox"/> | DO4650 | Gray | \$6,060.00 |
| Over the Patient Auto Dental Unit with PMU Complete Steps 1 thru 4 | <input type="checkbox"/> | DO4550 | Gray | \$5,450.00 |
| Post Mount Utilities (PMU) with Cuspidor Complete Steps 1, 3 and 4 | <input type="checkbox"/> | DO4652 | Gray | \$3,450.00 |

All Units Include Chair Mount



Step 2 Configure Your Control Head

| | S= Standard Configuration 1 Precision Comfort air/water syringe 3 4-hole handpiece tubings | Syringe and air driven handpiece tubings are sterling color | <input type="checkbox"/> Default Instrument Position <input type="checkbox"/> Optional Instrument Position | Part Number | Holder Positions | | | | | | Retail Price | TOTAL | |
|--------------------------|---|--|---|----------------|------------------|---|---|---|---|---|--------------|-----------------|--|
| | | | | | 0 | 1 | 2 | 3 | 4 | 5 | | | |
| S | DCI Precision Comfort Syringe and Tubing | | | | | | | | | | | Included | |
| S | HP Tubing 4 Hole Asepsis | | | | | | | | | | | Included | |
| <input type="checkbox"/> | HP Tubing ISO 5 Hole Power Optic & Bulb (Requires Light Source System) | | | | 9446E | | | | | | | \$340.00 | |
| <input type="checkbox"/> | HP Tubing ISO-C 6 Pin Power Optic (Requires Light Source System) | | | | 8904E | | | | | | | \$250.00 | |
| <input type="checkbox"/> | Delete HP Position 3 | | | | 4344E | | | | | | | -\$40.00 | |
| <input type="checkbox"/> | Add HP Position Includes Water Valve, Holder & HP Tubing (Not applicable if a scaler option is ordered) | | | | 4468E | | | | | | | \$240.00 | |
| <input type="checkbox"/> | One Button Syringe w/Holder (for Air) | | | | 42845G | | | | | | | \$140.00 | |
| <input type="checkbox"/> | NSK NLZE Electric Micromotor and Integrated Touchpad (Replaces 1 HP Position) | | | | 42833 | | | | | | | \$3,450.00 | |
| <input type="checkbox"/> | Dentsply Sirona Cavitron® Steri-Mate 360 Scaler (Adds 1 HP Position) | | | | 42830G | | | | | | | \$4,090.00 | |
| <input type="checkbox"/> | Acteon® Newtron LED Piezoelectric Scaler (Adds 1 HP Position) | | | | 42825G | | | | | | | \$4,090.00 | |
| <input type="checkbox"/> | DTE Woodpecker Piezoelectric Scaler (Adds 1 HP Position) | | | | 42819G | | | | | | | \$1,950.00 | |
| <input type="checkbox"/> | Acteon® Mini LED Curing Light | | | | 42814G | | | | | | | \$2,510.00 | |
| <input type="checkbox"/> | DTE Woodpecker Curing Light | | | | 42809G | | | | | | | \$1,230.00 | |
| <input type="checkbox"/> | Acteon® Sopro Camera Dock (Camera wand not included) | | | | 42838G | | | | | | | \$3,380.00 | |
| <input type="checkbox"/> | Power Supply, Required for one or more Scaler/Curing Light Options (when pairing with a Series 4 chair only) | | | | 59578 | | | | | | | N/C | |
| <input type="checkbox"/> | Deluxe Single HP Light Source System | | | | 8313E | | | | | | | \$180.00 | |
| <input type="checkbox"/> | Deluxe Dual HP Light Source System | | | | 9348E | | | | | | | \$190.00 | |
| <input type="checkbox"/> | Deluxe Triple HP Light Source System | | | | 8311E | | | | | | | \$590.00 | |
| <input type="checkbox"/> | Transformer, Required for Light Source System (when pairing with a Series 4 chair only) | | | | 9358E | | | | | | | N/C | |
| <input type="checkbox"/> | Touch pad to control chair and light (Right side of head) for NSK Display Configured | | | | 42799 | | | | | | | \$510.00 | |
| <input type="checkbox"/> | Touch pad to control chair and light (Right side of head) | | | | 51777 | | | | | | | \$540.00 | |
| <input type="checkbox"/> | Touch pad to control chair and light (Left side of head) | | | | 51776 | | | | | | | \$540.00 | |
| S | Stainless Steel Tray and Non-Skid Pad | | | | | | | | | | | Included | |
| S | Wet/Dry Foot Control | | | | | | | | | | | Included | |
| S | Handpiece Flush | | | | | | | | | | | Included | |
| <input type="checkbox"/> | Add scaler/chip air button to foot control | | | | 4346E | | | | | | | \$100.00 | |

Step 3 Configure Your Post Mounted Utility Center

| | | Part Number | Retail Price | TOTAL |
|--|---|-------------|--------------|-----------------|
| Step 3A Assistant's Package | | | | |
| <input type="checkbox"/> | Telescoping Arm with 4 Position Holder with 1 Syringe, 1 SE & 1 HVE | 52906G | \$640.00 | |
| <input type="checkbox"/> | Extra HVE and Tubing | 52892G | \$120.00 | |
| <input type="checkbox"/> | Autoclavable Dry Oral Cup | 5840E | \$42.00 | |
| <input type="checkbox"/> | Cuspidor Mounted Assistant's Package, 1 Syringe, 1 HVE & 1 SE (Available on DO4650 & DO4652 only) | 52893G | \$540.00 | |
| Step 3B Configure Your PMU & Cuspidor | | | | |
| S | Self-Contained Water System w/Quick Switch 2L Bottle | | | Included |
| S | Air QD and Water QD with flow control | | | Included |
| <input type="checkbox"/> | Remote Cuspidor Controls (Available on DO4650 Only) | 52911 | \$410.00 | |
| Step 3C Configure your Junction Box and Utilities | | | | |
| S | Internal Umbilical with 24" Pig Tail | | | Included |
| <input type="checkbox"/> | Additional Umbilical Length Per Foot - Qty:_____ | 52758 | \$70.00 | |
| S | Series 4 Utility Center and Valves | 42851 | | Included |
| <input type="checkbox"/> | Exchange Standard J-box with Square Contoured J-box | 26087 | | N/C |

Step 4 Configure Your Light

| | | | | |
|--------------------------|---|--------|------------|-----------|
| S | No Light On Unit | | | N/C |
| <input type="checkbox"/> | System Mount Series 4 LED Light (Gray) (Dental Unit Or Chair Adapter and Light Pole Required) | LS4550 | \$3,200.00 | |
| <input type="checkbox"/> | System Mount Series 5 LED Light (Gray) (Dental Unit Or Chair Adapter and Light Pole Required) | LS5550 | \$3,810.00 | |
| <input type="checkbox"/> | Exchange Standard Pole for Pole with opening for Monitor Cable Routing | 53888G | | N/C |
| | | | | Sub-total |
| | | | | QTY |
| | | | | TOTAL |

Series 4 Side Delivery



Requires 33" wide opening

Series 4 Side Delivery (DW4050)

S - Standard Features - Select Your Option

| | Part Number | Retail Price | TOTAL |
|--|---------------------------------|------------------|-------|
| Step 1 Select Your Delivery System | | | |
| Series 4 Side Delivery Auto Dental Unit w/Mount Complete Steps 1 thru 3 | <input type="checkbox"/> DW4000 | White \$4,910.00 | |
| | <input type="checkbox"/> DW4050 | Gray \$4,910.00 | |

STANDARD CONFIGURATION



NSK NLZE INTEGRATION CONFIGURATION



NSK NLZE + OPTIONAL DEVICE INTEGRATION CONFIGURATION



POSITION:

0

1

2

3

0

1

2

3

0

1

2

3

4

5

Step 2 Configure Your Control Head

| | Syringe and air driven handpiece tubings are sterling color | Standard delivery head includes 4 holders and 3 4-hole handpiece tubings | <input type="checkbox"/> Default Instrument Position <input type="checkbox"/> Optional Instrument Position | Part Number | Holder Positions | | | | | | Retail Price | TOTAL | |
|--------------------------|---|--|---|-------------|----------------------------|---|---|---|---|---|--------------|------------|--|
| | | | | | 0 | 1 | 2 | 3 | 4 | 5 | | | |
| S | DCI Precision Comfort A/W Syringe and Tubing | | | | | | | | | | | N/C | |
| S | HP Tubing 4 Hole Asepsis | | | | | | | | | | | N/C | |
| <input type="checkbox"/> | HP Tubing ISO 5 Hole Power Optic & Bulb (Requires Light Source System) | | | | 9446E | | | | | | | \$340.00 | |
| <input type="checkbox"/> | HP Tubing ISO-C 6 Pin Power Optic (Requires Light Source System) | | | | 8904E | | | | | | | \$250.00 | |
| <input type="checkbox"/> | Delete HP Position 3 | | | | 4344E | | | | | | | -\$40.00 | |
| <input type="checkbox"/> | Add HP Position Includes Water Valve, Holder & HP Tubing (Not applicable if a scaler option is ordered) | | | | 4468E Gray/ 4467E White | | | | | | | \$240.00 | |
| <input type="checkbox"/> | One Button Syringe w/Holder (for Air) | | | | 42845G/42845W | | | | | | | \$140.00 | |
| <input type="checkbox"/> | NSK NLZE Electric Micromotor and Integrated Touchpad (Replaces 1 HP Position) | | | | 42833 | | | | | | | \$3,450.00 | |
| <input type="checkbox"/> | Dentsply Sirona Cavitron® Steri-Mate 360 Scaler (Adds 1 HP Position) | | | | 42830G/42830W | | | | | | | \$4,090.00 | |
| <input type="checkbox"/> | Acteon® Newtron LED Piezoelectric Scaler (Adds 1 HP Position) | | | | 42825G/42825W | | | | | | | \$4,090.00 | |
| <input type="checkbox"/> | DTE Woodpecker Piezoelectric Scaler (Adds 1 HP Position) | | | | 42819G/42819W | | | | | | | \$1,950.00 | |
| <input type="checkbox"/> | Acteon® Mini LED Curing Light | | | | 42813G/42813W | | | | | | | \$2,510.00 | |
| <input type="checkbox"/> | DTE Woodpecker Curing Light | | | | 42809G/42809W | | | | | | | \$1,230.00 | |
| <input type="checkbox"/> | Acteon® Sopro Camera Dock (Camera wand not included) | | | | 42838G/42838W | | | | | | | \$3,380.00 | |
| <input type="checkbox"/> | Power Supply, Required for one or more Scaler/Curing Light Options | | | | 59578 | | | | | | | N/C | |
| <input type="checkbox"/> | Deluxe Single HP Light Source System w/Transformer | | | | 8404E | | | | | | | \$180.00 | |
| <input type="checkbox"/> | Deluxe Dual HP Light Source System, w/Transformer | | | | 9378E | | | | | | | \$190.00 | |
| <input type="checkbox"/> | Deluxe Three HP Light Source System w/Transformer | | | | 8353E | | | | | | | \$590.00 | |
| <input type="checkbox"/> | Touchpad to control chair and light on right side of head (Series 4 only) | | | | 51777 | | | | | | | \$540.00 | |
| <input type="checkbox"/> | Touchpad to control chair and light on left side of head (Series 4 only) | | | | 51776 | | | | | | | \$540.00 | |
| S | Stainless Steel Tray and Non-Skid Pad | | | | | | | | | | | Included | |
| S | Wet/Dry Foot Control | | | | | | | | | | | Included | |
| S | Handpiece Flush | | | | | | | | | | | Included | |
| <input type="checkbox"/> | Add scaler/chip air button to foot control | | | | 4346E | | | | | | | \$100.00 | |

Step 3 Configure Side Delivery

| | | | | |
|--------------------------|--|-------|-----------|--|
| <input type="checkbox"/> | Wall Mounting Board | 4222E | \$470.00 | |
| S | Deluxe Water System | 4788E | N/C | |
| <input type="checkbox"/> | Delete Deluxe Water System | 4355E | -\$80.00 | |
| <input type="checkbox"/> | Delete Asepsis Utility Center and Valves | 4347E | -\$190.00 | |
| | | | Sub-total | |
| | | | QTY | |
| | | | TOTAL | |

Series 4 Swing Mount Delivery System on Non DCI Chairs

- Upgrade your delivery system without the expense of a new chair.
- Designed to mount to most dental chairs.



S - Standard Features - Select Your Option

| Part Number | Retail Price | TOTAL |
|-------------|--------------|-------|
|-------------|--------------|-------|

Step 1 Select Your Delivery System & Color

| Series 4 | | | | | |
|---|--------------------------|------------------|---------------|--------------------------|--|
| Series 4 Swing Mount Auto Dental Unit and Light Pole Complete Steps 1 thru 5 | <input type="checkbox"/> | DS4000 DS4050 | White Gray | \$5,710.00 \$5,710.00 | |
| Series 4 Swing Mount Auto Dental Unit Complete Steps 1, 2, 3 & 5 | <input type="checkbox"/> | DS4001 | White | \$4,980.00 | |
| | <input type="checkbox"/> | DS4051 | Gray | \$4,980.00 | |
| Series 4 Swing Mount Light Pole Only Complete Steps 1, 4 & 5 | <input type="checkbox"/> | DS4002 | White | \$1,610.00 | |
| | <input type="checkbox"/> | DS4052 | Gray | \$1,610.00 | |

Step 2 Configure Your Control Head

| | S= Standard Configuration 1 Precision Comfort air/water syringe 3 4-hole handpiece tubings | Syringe and air driven handpiece tubings are sterling color | <input type="checkbox"/> Default Instrument Position <input type="checkbox"/> Optional Instrument Position | Part Number | Holder Positions | | | | | | Retail Price | TOTAL | |
|--------------------------|--|--|---|-------------|----------------------------|---|---|---|---|---|--------------|------------|--|
| | | | | | 0 | 1 | 2 | 3 | 4 | 5 | | | |
| S | DCI Precision Comfort A/W Syringe and Tubing | | | | | | | | | | | N/C | |
| S | HP Tubing 4 Hole Asepsis | | | | | | | | | | | N/C | |
| <input type="checkbox"/> | HP Tubing ISO 5 Hole Power Optic & Bulb (Requires Light Source System) | | | | 9446E | | | | | | | \$340.00 | |
| <input type="checkbox"/> | HP Tubing ISO-C 6 Pin Power Optic (Requires Light Source System) | | | | 8904E | | | | | | | \$250.00 | |
| <input type="checkbox"/> | Delete HP Position 3 | | | | 4344E | | | | | | | -\$40.00 | |
| <input type="checkbox"/> | Add HP Position Includes Water Valve, Holder & HP Tubing (Not applicable if a scaler option is ordered) | | | | 4468E Gray/ 4467E White | | | | | | | \$240.00 | |
| <input type="checkbox"/> | One Button Syringe w/Holder (for Air) | | | | 42845G/42845W | | | | | | | \$140.00 | |
| <input type="checkbox"/> | NSK NLZE Electric Micromotor and Integrated Touchpad (Replaces 1 HP Position) | | | | 42833 | | | | | | | \$3,450.00 | |
| <input type="checkbox"/> | Dentsply Sirona Cavitron® Steri-Mate 360 Scaler (Adds 1 HP Position) | | | | 42830G/42830W | | | | | | | \$4,090.00 | |
| <input type="checkbox"/> | Acteon® Newtron LED Piezoelectric Scaler (Adds 1 HP Position) | | | | 42825G/42825W | | | | | | | \$4,090.00 | |
| <input type="checkbox"/> | DTE Woodpecker Piezoelectric Scaler (Adds 1 HP Position) | | | | 42819G/42819W | | | | | | | \$1,950.00 | |
| <input type="checkbox"/> | Acteon® Mini LED Curing Light | | | | 42814G/42814W | | | | | | | \$2,510.00 | |
| <input type="checkbox"/> | DTE Woodpecker Curing Light | | | | 42809G/42809W | | | | | | | \$1,230.00 | |
| <input type="checkbox"/> | Acteon® Sopro Camera Dock (Camera wand not included) | | | | 42838G/42838W | | | | | | | \$3,380.00 | |
| <input type="checkbox"/> | Power Supply, Required for one or more Scaler/Curing Light Options | | | | 59578 | | | | | | | N/C | |
| <input type="checkbox"/> | Deluxe Single HP Light Source System w/Transformer | | | | 8404E | | | | | | | \$180.00 | |
| <input type="checkbox"/> | Deluxe Dual HP Light Source System w/Transformer | | | | 9378E | | | | | | | \$190.00 | |
| <input type="checkbox"/> | Deluxe Three HP Light Source System w/Transformer | | | | 8353E | | | | | | | \$590.00 | |
| S | Stainless Steel Tray and Non-Skid Pad | | | | | | | | | | | Included | |
| S | Wet/Dry Foot Control | | | | | | | | | | | Included | |
| S | Hand-Piece Flush | | | | | | | | | | | Included | |
| <input type="checkbox"/> | Add scaler/chip air button to foot control | | | | 4346E | | | | | | | \$100.00 | |

Step 3 Configure Water System & Utilities

| | | Part Number | Retail Price | TOTAL |
|--|--|-------------|--------------|-------|
| Step 3A Configure Your Water System | | | | |
| S | Self Contained Water System with Quick Switch 2L Bottle Included | | Included | |
| Step 3B Configure your Junction Box and Utilities | | | | |
| S | 6' Umbilical Tubing | | Included | |
| <input type="checkbox"/> | Additional Umbilical Length Per Foot, includes sheath tubing - Qty____ | 52758 | \$70.00 | |
| S | Asepsis Utility Center and Valves | | Included | |
| <input type="checkbox"/> | Delete Asepsis Utility Center and Valves | 4347E | -\$190.00 | |

Step 4 Configure Your Light

| | | | | |
|--------------------------|---|--------|------------|--|
| S | No Light On Unit | | N/C | |
| <input type="checkbox"/> | Flat Panel Monitor Top Mount (White) (In place of light) | 4924E | \$500.00 | |
| <input type="checkbox"/> | Flat Panel Monitor Top Mount (Gray) (In place of light) | 4824E | \$500.00 | |
| <input type="checkbox"/> | Post Mount Series 4 LED Light (White) (Requires Light Post 4768E) | LP4000 | \$3,200.00 | |
| <input type="checkbox"/> | Post Mount Series 5 LED Light (White) (Requires Light Post 4768E) | LP5000 | \$3,810.00 | |
| <input type="checkbox"/> | Light Post With P&C Bushing, 24" For Series 4 (White) | 4768E | \$280.00 | |
| <input type="checkbox"/> | Post Mount Series 4 LED Light (Gray) (Requires Light Post 4766E) | LP4050 | \$3,200.00 | |
| <input type="checkbox"/> | Post Mount Series 5 LED Light (Gray) (Requires Light Post 4766E) | LP5050 | \$3,810.00 | |
| <input type="checkbox"/> | Light Post With P&C Bushing, 24" For Series 4 (Gray) | 4766E | \$280.00 | |

Step 5 Configure Your Chair Mount (Required)

| | | | | |
|--------------------------|---|------|-----------|--|
| <input type="checkbox"/> | To Fit A-dec® Cascade® 1040 | 4489 | \$480.00 | |
| <input type="checkbox"/> | To Fit A-dec® Priority 1005 & 1010 | 4498 | \$480.00 | |
| <input type="checkbox"/> | To Fit A-dec® Decade® 1020, 1021 & 1015 | 9246 | \$480.00 | |
| <input type="checkbox"/> | To Fit Belmont Bel 20/50/Celebrity | 4492 | \$480.00 | |
| <input type="checkbox"/> | To Fit Belmont AcuTrac | 4501 | \$480.00 | |
| <input type="checkbox"/> | To Fit Marus DC1490, DC1690, DC1700, DC1702 | 4491 | \$480.00 | |
| <input type="checkbox"/> | To Fit Pelton 1500, 1800, 2000, 3000 | 4489 | \$480.00 | |
| <input type="checkbox"/> | To Fit DCI Equipment 1235 , Pelton 1700 | 4491 | \$480.00 | |
| | | | Sub-total | |
| | | | QTY | |
| | | | TOTAL | |

A-dec®, Cascade® and Decade® are registered trademarks of A-dec, Inc. DCI has no affiliation with A-dec and A-dec has not authorized DCI replacement parts to be used on or in connection with A-dec® products.

Series 4

Post Mount Delivery System on Non DCI Chairs

- Upgrade your delivery system without the expense of a new chair.
- Designed to mount to most dental chairs.



S - Standard Features - Select Your Option

Part Number

Retail Price

TOTAL

Step 1 Select Your Delivery System & Color

Series 4

| | | | | | |
|--|--------------------------|--------|-------|------------|--|
| Series 4 Over the Patient Dental Unit with Cuspidor & PMU Complete Steps 1 thru 5 | <input type="checkbox"/> | DO4100 | White | \$5,630.00 | |
| | <input type="checkbox"/> | DO4150 | Gray | \$5,630.00 | |
| Series 4 Over the Patient Dental Unit with PMU Complete Steps 1 thru 5 | <input type="checkbox"/> | DO4000 | White | \$5,030.00 | |
| | <input type="checkbox"/> | DO4050 | Gray | \$5,030.00 | |
| Series 4 Over the Patient Dental Unit Only Complete Steps 1, 2, 3C & 5 | <input type="checkbox"/> | DO4001 | White | \$4,160.00 | |
| | <input type="checkbox"/> | DO4051 | Gray | \$4,160.00 | |
| Series 4 Post Mount Utilities (PMU) with Cuspidor Complete Steps 1 & 3 thru 5 | <input type="checkbox"/> | DO4102 | White | \$3,010.00 | |
| | <input type="checkbox"/> | DO4152 | Gray | \$3,010.00 | |
| Series 4 Post Mount Utilities Only Complete Steps 1 & 3 thru 5 | <input type="checkbox"/> | DO4002 | White | \$2,470.00 | |
| | <input type="checkbox"/> | DO4052 | Gray | \$2,470.00 | |

Step 2 Select Your Control Head Options

| | S= Standard Configuration 1 Precision Comfort air/water syringe 3 4-hole handpiece tubings | Syringe and air driven handpiece tubings are sterling color | <input type="checkbox"/> Default Instrument Position <input type="checkbox"/> Optional Instrument Position | Part Number | Holder Positions | | | | | | Retail Price | TOTAL | |
|--------------------------|--|--|---|-------------|----------------------------|---|---|---|---|---|--------------|------------|--|
| | | | | | 0 | 1 | 2 | 3 | 4 | 5 | | | |
| S | DCI Precision Comfort A/W Syringe and Tubing | | | | | | | | | | | N/C | |
| S | HP Tubing 4 Hole Asepsis | | | | | | | | | | | N/C | |
| <input type="checkbox"/> | HP Tubing ISO 5 Hole Power Optic & Bulb (Requires Light Source System) | | | | 9446E | | | | | | | \$340.00 | |
| <input type="checkbox"/> | HP Tubing ISO-C 6 Pin Power Optic (Requires Light Source System) | | | | 8904E | | | | | | | \$250.00 | |
| <input type="checkbox"/> | Delete HP Position 3 | | | | 4344E | | | | | | | -\$40.00 | |
| <input type="checkbox"/> | Add HP Position Includes Water Valve, Holder & HP Tubing (Not applicable if a scaler option is ordered) | | | | 4468E Gray/ 4467E White | | | | | | | \$240.00 | |
| <input type="checkbox"/> | One Button Syringe w/Holder (for Air) | | | | 42845G/42845W | | | | | | | \$140.00 | |
| <input type="checkbox"/> | NSK NLZE Electric Micromotor and Integrated Touchpad (Replaces 1 HP Position) | | | | 42833 | | | | | | | \$3,450.00 | |
| <input type="checkbox"/> | Dentsply Sirona Cavitron® Steri-Mate 360 Scaler (Adds 1 HP Position) | | | | 42830G/42830W | | | | | | | \$4,090.00 | |
| <input type="checkbox"/> | Acteon® Newtron LED Piezoelectric Scaler (Adds 1 HP Position) | | | | 42825G/42825W | | | | | | | \$4,090.00 | |
| <input type="checkbox"/> | DTE Woodpecker Piezoelectric Scaler (Adds 1 HP Position) | | | | 42819G/42819W | | | | | | | \$1,950.00 | |
| <input type="checkbox"/> | Acteon® Mini LED Curing Light | | | | 42814G/42814W | | | | | | | \$2,510.00 | |
| <input type="checkbox"/> | DTE Woodpecker Curing Light | | | | 42809G/42809W | | | | | | | \$1,230.00 | |
| <input type="checkbox"/> | Acteon® Sopro Camera Dock (Camera wand not included) | | | | 42838G/42838W | | | | | | | \$3,380.00 | |
| <input type="checkbox"/> | Power Supply, Required for one or more Scaler/Curing Light Options | | | | 59578 | | | | | | | N/C | |
| <input type="checkbox"/> | Deluxe Single HP Light Source System w/Transformer | | | | 8404E | | | | | | | \$180.00 | |
| <input type="checkbox"/> | Deluxe Dual HP Light Source System, w/Transformer | | | | 9378E | | | | | | | \$190.00 | |
| <input type="checkbox"/> | Deluxe Three HP Light Source System w/Transformer | | | | 8353E | | | | | | | \$590.00 | |
| S | Stainless Steel Tray and Non-Skid Pad | | | | | | | | | | | Included | |
| S | Wet/Dry Foot Control | | | | | | | | | | | Included | |
| S | Hand-Piece Flush | | | | | | | | | | | Included | |
| <input type="checkbox"/> | Add scaler/chip air button to foot control | | | | 4346E | | | | | | | \$100.00 | |

Step 3 Configure Your Post Mounted Utility Center

| | | Part Number | Retail Price | TOTAL |
|---|---|-------------|--------------|-------|
| Step 3A Assistant's Package | | | | |
| <input type="checkbox"/> | Series 4 Telescoping Arm w/4 Position Holder, 1 Syringe, 1 SE & 1 HVE (White) | 52906W | \$680.00 | |
| <input type="checkbox"/> | Series 4 Telescoping Arm w/4 Position Holder, 1 Syringe, 1 SE & 1 HVE (Gray) | 52906G | \$640.00 | |
| <input type="checkbox"/> | Series 4 Extra HVE and Tubing | 52892G | \$120.00 | |
| <input type="checkbox"/> | Cuspidor Mounted Assistant's Package, 1 Syringe, 1 HVE & 1 SE (Available on DO4100/DO4150 & DO4102/DO4152 only) | 52893G | \$540.00 | |
| <input type="checkbox"/> | Autoclavable Dry Oral Cup | 5840E | \$42.00 | |
| Step 3B Water System | | | | |
| S | Self Contained Water System with Quick Switch 2 Liter Bottle | | Included | |
| S | Air QD and Water QD with flow control (Not available on DO4001 & DO4051) | | Included | |
| Step 3C Junction Box and Utilities | | | | |
| S | 6' Umbilical Tubing (no umbilical tubing sheath included on DO4001 & DO4051) | | Included | |
| <input type="checkbox"/> | Series 4 Additional Umbilical Length Per Foot, includes sheath tubing - Qty____ | 52758 | \$70.00 | |
| S | Asepsis Utility Center and Valves | | Included | |
| <input type="checkbox"/> | Delete Asepsis Utility Center and Valves | 4347E | -\$190.00 | |

Step 4 Configure Your Light

| | | | | |
|--------------------------|---|--------|------------|--|
| S | No Light On Unit | | N/C | |
| <input type="checkbox"/> | Post Mount Series 4 LED Light (White) (Requires DCI Edge Light Post 53900W) | LP4000 | \$3,200.00 | |
| <input type="checkbox"/> | Post Mount Series 5 LED Light (White) (Requires DCI Edge Light Post 53900W) | LP5000 | \$3,810.00 | |
| <input type="checkbox"/> | Light Post w/Pelton & Crane Bushing, 30" (White) | 53900W | \$310.00 | |
| <input type="checkbox"/> | Post Mount Series 4 LED Light (Gray) (Requires DCI Edge Light Post 53900G) | LP4050 | \$3,200.00 | |
| <input type="checkbox"/> | Post Mount Series 5 LED Light (Gray) (Requires DCI Edge Light Post 53900G) | LP5050 | \$3,810.00 | |
| <input type="checkbox"/> | Light Post w/Pelton & Crane Bushing, 30" (Gray) | 53900G | \$310.00 | |

Step 5 Configure Your Chair Mount Adapter

| | | | | |
|--------------------------|--|-------|-----------|--|
| S | No Chair Mount | | N/C | |
| <input type="checkbox"/> | To Fit A-dec® Cascade® 1040 | 8522E | \$480.00 | |
| <input type="checkbox"/> | To Fit A-dec® Priority 1005 & 1010 | 8515E | \$480.00 | |
| <input type="checkbox"/> | To Fit A-dec® Decade® 1020, 1021, 1221 & 1015 | 8500E | \$410.00 | |
| <input type="checkbox"/> | To Fit A-dec® 500® | 8538E | \$410.00 | |
| <input type="checkbox"/> | To Fit Belmont Bel 20,50/Celebrity/Westar 2001 & 5000/LSM DC-1000 & COHO | 8493E | \$480.00 | |
| <input type="checkbox"/> | To Fit Belmont AcuTrac, B99 & Celesta | 8917E | \$480.00 | |
| <input type="checkbox"/> | To Fit DentalEZ E3000 | 8552E | \$480.00 | |
| <input type="checkbox"/> | To Fit DentalEZ Advantage E2000 | 8919E | \$480.00 | |
| <input type="checkbox"/> | To Fit Marus Pro/DCI Equipment, Pelton & Crane 1700 | 8561E | \$480.00 | |
| <input type="checkbox"/> | To Fit Pelton Spirit, 1500, 1800, 2000, 3000/Schein Empire | 8918E | \$410.00 | |
| <input type="checkbox"/> | To Fit Royal | 8497E | \$410.00 | |
| | | | Sub-total | |
| | | | QTY | |
| | | | TOTAL | |

Contact Customer Service for Adapters Not Listed

A-dec®, Cascade®, Decade® and A-dec 500® are registered trademarks of A-dec, Inc. DCI has no affiliation with A-dec and A-dec has not authorized DCI replacement parts to be used on or in connection with A-dec® products.

Series 4 Hygiene Delivery System



| | | |
|--------|---|-------------|
| C4550 | DCI Series 4 Dental Chair | \$8,330.00 |
| DS4553 | Hygiene Swing Mount Auto Dental Unit and Light Pole | \$6,500.00 |
| LS5550 | DCI Series 5 LED System Light | \$3,810.00 |
| | | \$18,640.00 |

S - Standard Features - Select Your Option

| Part Number | Retail Price | TOTAL |
|-------------|--------------|-------|
|-------------|--------------|-------|

Step 1 Select Your Delivery System

| | | | | | |
|---|--------------------------|--------|------|------------|--|
| Hygiene Swing Mount Auto Dental Unit and Light Pole Complete Steps 1 thru 5 | <input type="checkbox"/> | DS4553 | Gray | \$6,500.00 | |
| Hygiene Swing Mount Auto Dental Unit Complete Steps 1, 2, 3 and 5 | <input type="checkbox"/> | DS4554 | Gray | \$5,760.00 | |
| Hygiene Over the Patient Auto Dental Unit with Cupidor & PMU Complete Steps 1 thru 4 | <input type="checkbox"/> | DO4653 | Gray | \$6,200.00 | |
| Hygiene Over the Patient Auto Dental Unit with PMU Complete Steps 1 thru 4 | <input type="checkbox"/> | DO4553 | Gray | \$5,590.00 | |

All Units Include Chair Mount

STANDARD CONFIGURATION



POSITION:

Step 2 Configure Your Control Head

| <input type="checkbox"/> S= Standard Configuration 1 Precision Comfort air/water syringe 3 4-hole handpiece tubings | | Syringe and air driven handpiece tubings are sterling color | <input type="checkbox"/> Default Instrument Position <input type="checkbox"/> Optional Instrument Position | | Part Number | Holder Positions | | | | | Retail Price | TOTAL | |
|---|--|---|---|---|-------------|------------------|---|---|---|--|--------------|------------|--|
| | | | 0 | 1 | | 2 | 3 | 4 | 5 | | | | |
| <input checked="" type="checkbox"/> S | DCI Precision Comfort A/W Syringe and Tubing | | | | | | | | | | | N/C | |
| <input checked="" type="checkbox"/> S | HP Tubing 4 Hole Asepsis | | | | | | | | | | | N/C | |
| <input checked="" type="checkbox"/> S | SE and Tubing | | | | | | | | | | | N/C | |
| <input checked="" type="checkbox"/> S | HVE and Tubing | | | | | | | | | | | N/C | |
| <input type="checkbox"/> | HP Tubing ISO 5 Hole Power Optic & Bulb (Requires Light Source System) | | | | 9446E | | | | | | | \$340.00 | |
| <input type="checkbox"/> | HP Tubing ISO-C 6 Pin Power Optic (Requires Light Source System) | | | | 8904E | | | | | | | \$250.00 | |
| <input type="checkbox"/> | Extra HVE, Tubing, and Holder | | | | 42919G | | | | | | | \$180.00 | |
| <input type="checkbox"/> | Add HP Position Includes Water Valve, Holder & HP Tubing (Not applicable if a scaler option is ordered) | | | | 52898G | | | | | | | \$240.00 | |
| <input type="checkbox"/> | One Button Syringe w/Holder (for Air) | | | | 42845G | | | | | | | \$140.00 | |
| <input type="checkbox"/> | Dentsply Sirona Cavitron® Steri-Mate 360 Scaler (Adds 1 HP Position) | | | | 42837 | | | | | | | \$4,090.00 | |
| <input type="checkbox"/> | Acteon® Newtron LED Piezoelectric Scaler (Adds 1 HP Position) | | | | 42840 | | | | | | | \$4,090.00 | |
| <input type="checkbox"/> | DTE Woodpecker Piezoelectric Scaler (Adds 1 HP Position) | | | | 42844 | | | | | | | \$1,950.00 | |
| <input type="checkbox"/> | Acteon® Mini LED Curing Light | | | | 42814G | | | | | | | \$2,510.00 | |
| <input type="checkbox"/> | DTE Woodpecker Curing Light | | | | 42809G | | | | | | | \$1,230.00 | |
| <input type="checkbox"/> | Acteon® Sopro Camera Dock (Camera wand not included) | | | | 42838G | | | | | | | \$3,380.00 | |
| <input type="checkbox"/> | Power Supply, Required for one or more Scaler/Curing Light Options (when pairing with a Series 4 chair only) | | | | 59578 | | | | | | | N/C | |
| <input type="checkbox"/> | Deluxe Single HP Light Source System | | | | 8313E | | | | | | | \$180.00 | |
| <input type="checkbox"/> | Deluxe Dual HP Light Source System | | | | 9348E | | | | | | | \$190.00 | |
| <input type="checkbox"/> | Transformer, Required for Light Source System (when pairing with a Series 4 chair only) | | | | 9358E | | | | | | | N/C | |
| <input type="checkbox"/> | Touch pad to control chair and light (Right side of head) for NSK Display Configured | | | | 42799 | | | | | | | \$510.00 | |
| <input type="checkbox"/> | Touch pad to control chair and light (Right side of head) | | | | 51777 | | | | | | | \$540.00 | |
| <input type="checkbox"/> | Touch pad to control chair and light (Left side of head) | | | | 51776 | | | | | | | \$540.00 | |
| <input checked="" type="checkbox"/> S | Stainless Steel Tray and Non-Skid Pad | | | | | | | | | | | Included | |
| <input checked="" type="checkbox"/> S | Wet/Dry Foot Control | | | | | | | | | | | Included | |
| <input checked="" type="checkbox"/> S | Handpiece Flush | | | | | | | | | | | Included | |
| <input type="checkbox"/> | Remote Cuspidor Controls (DO4653 only) | | | | 52911 | | | | | | | \$410.00 | |
| <input type="checkbox"/> | Add scaler/chip air button to foot control | | | | 4346E | | | | | | | \$100.00 | |

Step 3 Configure Your Junction Box and Utilities

| | | Part Number | Retail Price | TOTAL |
|--|--|-------------|--------------|----------|
| Step 3A Configure Your Water System | | | | |
| <input checked="" type="checkbox"/> S | Self-Contained Water System w/Quick Switch 2L Bottle | | | Included |
| Step 3B Configure your Junction Box and Utilities | | | | |
| <input checked="" type="checkbox"/> S | Internal Umbilical with 24" Pig Tail | | | Included |
| <input type="checkbox"/> | Additional Umbilical Length Per Foot - Qty: ____ | | 52758 | \$70.00 |
| <input checked="" type="checkbox"/> S | Standard Utility Center and Valves | | | Included |
| <input type="checkbox"/> | Exchange Standard J-box with Square Contoured J-box | | 26087 | N/C |

Step 4 Configure Your Light

| | | | | |
|---------------------------------------|--|--|--------|------------|
| <input checked="" type="checkbox"/> S | No Light On Unit | | | N/C |
| <input type="checkbox"/> | System Mount Series 4 LED Light (Gray) | | LS4550 | \$3,200.00 |
| <input type="checkbox"/> | System Mount Series 5 LED Light (Gray) | | LS5550 | \$3,810.00 |
| <input type="checkbox"/> | Flat Panel Monitor Top Mount (Gray) (in place of light on DS4553 only) | | 4824E | \$500.00 |
| <input type="checkbox"/> | Exchange Standard Pole for Pole with opening for Monitor Cable Routing | | 53888G | N/C |

Step 5 Configure Your Rear Accessories

| | | | | |
|---------------------------------------|-----------------------------|--|--------|------------|
| <input checked="" type="checkbox"/> S | No Rear Mounted Accessories | | | N/C |
| <input type="checkbox"/> | Rear Cuspidor only | | RM4650 | \$2,430.00 |
| <input type="checkbox"/> | Remote Cuspidor Controls | | 52911 | \$410.00 |
| | | | | Sub-total |
| | | | | QTY |
| | | | | TOTAL |

SERIES 4 Swing Mount Hygiene Delivery System on Non DCI Chairs

- Upgrade your delivery system without the expense of a new chair.
- Designed to mount to most dental chairs.

S - Standard Features - Select Your Option

| Part Number | Retail Price | TOTAL |
|-------------|--------------|-------|
|-------------|--------------|-------|

Step 1 Select Your Delivery System & Color

| | | | | | |
|---|--------------------------|--------|-------|------------|--|
| Swing Mount Auto Dental Unit and Light Pole Complete Steps 1 thru 3 | <input type="checkbox"/> | DS4003 | White | \$5,900.00 | |
| | <input type="checkbox"/> | DS4053 | Gray | \$5,900.00 | |
| Swing Mount Auto Dental Unit Complete Steps 1, 2 & 3B | <input type="checkbox"/> | DS4004 | White | \$5,150.00 | |
| | <input type="checkbox"/> | DS4054 | Gray | \$5,150.00 | |



Step 2 Configure Your Control Head

| | S= Standard Configuration 1 Precision Comfort air/water syringe 3 4-hole handpiece tubings | Syringe and air driven handpiece tubings are sterling color | <input type="checkbox"/> Default Instrument Position <input type="checkbox"/> Optional Instrument Position | Part Number | Holder Positions | | | | | | Retail Price | TOTAL | |
|--------------------------|--|--|---|----------------|------------------|---|---|---|---|---|-----------------|------------|--|
| | | | | | 0 | 1 | 2 | 3 | 4 | 5 | | | |
| S | DCI Precision Comfort A/W Syringe and Tubing | | | | | | | | | | | N/C | |
| S | HP Tubing 4 Hole Asepsis | | | | | | | | | | | N/C | |
| S | SE and Tubing | | | | | | | | | | | N/C | |
| S | HVE and Tubing | | | | | | | | | | | N/C | |
| <input type="checkbox"/> | HP Tubing ISO 5 Hole Power Optic & Bulb (Requires Light Source System) | | | | 9446E | | | | | | | \$340.00 | |
| <input type="checkbox"/> | HP Tubing ISO-C 6 Pin Power Optic (Requires Light Source System) | | | | 8904E | | | | | | | \$250.00 | |
| <input type="checkbox"/> | Extra HVE, Tubing, and Holder | | | | 42919G/42919W | | | | | | | \$180.00 | |
| <input type="checkbox"/> | Add HP Position Includes Water Valve, Holder & HP Tubing (Not applicable if a scaler option is ordered) | | | | 42774G/42774W | | | | | | | \$200.00 | |
| <input type="checkbox"/> | One Button Syringe w/ Holder (for Air) | | | | 42845G/42845W | | | | | | | \$140.00 | |
| <input type="checkbox"/> | Dentsply Sirona Cavitron® Steri-Mate 360 Scaler (Adds 1 HP Position) | | | | 42837G/42837W | | | | | | | \$4,090.00 | |
| <input type="checkbox"/> | Acteon® Newtron LED Piezoelectric Scaler (Adds 1 HP Position) | | | | 42840G/42840W | | | | | | | \$4,090.00 | |
| <input type="checkbox"/> | DTE Woodpecker Piezoelectric Scaler (Adds 1 HP Position) | | | | 42844G/42844W | | | | | | | \$1,950.00 | |
| <input type="checkbox"/> | Acteon® Mini LED Curing Light | | | | 42813G/42813W | | | | | | | \$2,510.00 | |
| <input type="checkbox"/> | DTE Woodpecker Curing Light | | | | 42808G/42808W | | | | | | | \$1,230.00 | |
| <input type="checkbox"/> | Acteon® Sopro Camera Dock (Camera wand not included) | | | | 42838G/42838W | | | | | | | \$3,380.00 | |
| <input type="checkbox"/> | Power Supply, Required for one or more Scaler/Curing Light Options | | | | 59578 | | | | | | | N/C | |
| <input type="checkbox"/> | Deluxe Single HP Light Source System w/Transformer | | | | 8404E | | | | | | | \$180.00 | |
| <input type="checkbox"/> | Deluxe Dual HP Light Source System w/Transformer | | | | 9378E | | | | | | | \$190.00 | |
| S | Stainless Steel Tray and Non-Skid Pad | | | | | | | | | | | Included | |
| S | Wet/Dry Foot Control | | | | | | | | | | | Included | |
| S | Handpiece Flush | | | | | | | | | | | Included | |
| <input type="checkbox"/> | Remote Cuspidor Controls (DO4103 & DO4153 only) | | | | 52911 | | | | | | | \$410.00 | |
| <input type="checkbox"/> | Add scaler/chip air button to foot control | | | | 4346E | | | | | | | \$100.00 | |
| S | 6' Umbilical Tubing | | | | | | | | | | | Included | |
| <input type="checkbox"/> | Additional Umbilical Length Per Foot, includes sheath tubing - Qty____ | | | | 52758 | | | | | | | \$70.00 | |
| S | Asepsis Utility Center and Valves | | | | | | | | | | | Included | |
| <input type="checkbox"/> | Delete Asepsis Utility Center and Valves | | | | 4347E | | | | | | | -\$190.00 | |

Step 3A Configure Your Light

| S | No Light On Unit | | N/C |
|--------------------------|---|--------|------------|
| <input type="checkbox"/> | Flat Panel Monitor Top Mount (White) (In place of light) | 4924E | \$500.00 |
| <input type="checkbox"/> | Flat Panel Monitor Top Mount (Gray) (In place of light) | 4824E | \$500.00 |
| <input type="checkbox"/> | Post Mount Series 4 LED Light (White) (Requires Light Post 4768E) | LP4000 | \$3,200.00 |
| <input type="checkbox"/> | Post Mount Series 5 LED Light (White) (Requires Light Post 4768E) | LP5000 | \$3,810.00 |
| <input type="checkbox"/> | Light Post With P&C Bushing , 24" (White) | 4768E | \$280.00 |
| <input type="checkbox"/> | Post Mount Series 4 LED Light (Gray) (Requires Light Post 4766E) | LP4050 | \$3,200.00 |
| <input type="checkbox"/> | Post Mount Series 5 LED Light (Gray) (Requires Light Post 4766E) | LP5050 | \$3,810.00 |
| <input type="checkbox"/> | Light Post With P&C Bushing , 24" (Gray) | 4766E | \$280.00 |

Step 3B Configure Your Swing Mount (Required)

| | | | |
|--------------------------|---|------|-----------|
| <input type="checkbox"/> | To Fit A-dec® Cascade® 1040 | 4489 | \$480.00 |
| <input type="checkbox"/> | To Fit A-dec® Priority 1005 & 1010 | 4498 | \$480.00 |
| <input type="checkbox"/> | To Fit A-dec® Decade® 1020, 1021 & 1015 | 9246 | \$480.00 |
| <input type="checkbox"/> | To Fit Belmont Bel 20/50/Celebrity | 4492 | \$480.00 |
| <input type="checkbox"/> | To Fit Belmont AcuTrac | 4501 | \$480.00 |
| <input type="checkbox"/> | To Fit Marus DC1490, DC1690, DC1700, DC1702 | 4491 | \$480.00 |
| <input type="checkbox"/> | To Fit Pelton 1500, 1800, 2000, 3000 | 4489 | \$480.00 |
| <input type="checkbox"/> | To Fit DCI Equipment 1235 , Pelton 1700 | 4491 | \$480.00 |
| | | | Sub-total |
| | | | QTY |
| | | | TOTAL |

Contact Customer Service for Adapters Not Listed

A-dec®, Cascade®, Decade® and A-dec 500® are registered trademarks of A-dec, Inc. DCI has no affiliation with A-dec and A-dec has not authorized DCI replacement parts to be used on or in connection with A-dec® products.

SERIES 4 Post Mount Hygiene Delivery System on Non DCI Chairs

- Upgrade your delivery system without the expense of a new chair.
- Designed to mount to most dental chairs.

S - Standard Features - Select Your Option

| Part Number | Retail Price | TOTAL |
|-------------|--------------|-------|
|-------------|--------------|-------|

Step 1 Select Your Delivery System & Color

| | | | | | |
|--|--------------------------|--------|-------|------------|--|
| Over the Patient Dental Unit with Cuspidor & PMU Complete steps 1 thru 4 | <input type="checkbox"/> | DO4103 | White | \$5,900.00 | |
| | <input type="checkbox"/> | DO4153 | Gray | \$5,900.00 | |
| Over the Patient Dental Unit with PMU Complete steps 1 thru 4 | <input type="checkbox"/> | DO4003 | White | \$5,290.00 | |
| | <input type="checkbox"/> | DO4053 | Gray | \$5,290.00 | |



Step 2 Configure Your Control Head

| | S= Standard Configuration 1 Precision Comfort air/water syringe 3 4-hole handpiece tubings | Syringe and air driven handpiece tubings are sterling color | <input type="checkbox"/> Default Instrument Position <input type="checkbox"/> Optional Instrument Position | Part Number | Holder Positions | | | | | | Retail Price | TOTAL | |
|--------------------------|---|---|---|-------------|------------------|---|---|---|---|---|--------------|------------|--|
| | | | | | 0 | 1 | 2 | 3 | 4 | 5 | | | |
| S | DCI Precision Comfort A/W Syringe and Tubing | | | | | | | | | | | N/C | |
| S | HP Tubing 4 Hole Asepsis | | | | | | | | | | | N/C | |
| S | SE and Tubing | | | | | | | | | | | N/C | |
| S | HVE and Tubing | | | | | | | | | | | N/C | |
| <input type="checkbox"/> | HP Tubing ISO 5 Hole Power Optic & Bulb (Requires Light Source System) | | | | 9446E | | | | | | | \$340.00 | |
| <input type="checkbox"/> | HP Tubing ISO-C 6 Pin Power Optic (Requires Light Source System) | | | | 8904E | | | | | | | \$250.00 | |
| <input type="checkbox"/> | Extra HVE, Tubing, and Holder | | | | 42919G/42919W | | | | | | | \$180.00 | |
| <input type="checkbox"/> | Add HP Position Includes Water Valve, Holder & HP Tubing (Not applicable if a scaler option is ordered) | | | | 42774G/42774W | | | | | | | \$200.00 | |
| <input type="checkbox"/> | One Button Syringe w/ Holder (for Air) | | | | 42845G/42845W | | | | | | | \$140.00 | |
| <input type="checkbox"/> | Dentsply Sirona Cavitron® Steri-Mate 360 Scaler (Adds 1 HP Position) | | | | 42837G/42837W | | | | | | | \$4,090.00 | |
| <input type="checkbox"/> | Acteon® Newtron LED Piezoelectric Scaler (Adds 1 HP Position) | | | | 42840G/42840W | | | | | | | \$4,090.00 | |
| <input type="checkbox"/> | DTE Woodpecker Piezoelectric Scaler (Adds 1 HP Position) | | | | 42844G/42844W | | | | | | | \$1,950.00 | |
| <input type="checkbox"/> | Acteon® Mini LED Curing Light | | | | 42813G/42813W | | | | | | | \$2,510.00 | |
| <input type="checkbox"/> | DTE Woodpecker Curing Light | | | | 42808G/42808W | | | | | | | \$1,230.00 | |
| <input type="checkbox"/> | Acteon® Sopro Camera Dock (Camera wand not included) | | | | 42838G/42838W | | | | | | | \$3,380.00 | |
| <input type="checkbox"/> | Power Supply, Required for one or more Scaler/Curing Light Options | | | | 59578 | | | | | | | N/C | |
| <input type="checkbox"/> | Deluxe Single HP Light Source System w/Transformer | | | | 8404E | | | | | | | \$180.00 | |
| <input type="checkbox"/> | Deluxe Dual HP Light Source System w/Transformer | | | | 9378E | | | | | | | \$190.00 | |
| S | Stainless Steel Tray and Non-Skid Pad | | | | | | | | | | | Included | |
| S | Wet/Dry Foot Control | | | | | | | | | | | Included | |
| S | Handpiece Flush | | | | | | | | | | | Included | |
| <input type="checkbox"/> | Remote Cuspidor Controls (DO4103 & DO4153 only) | | | | 52911 | | | | | | | \$410.00 | |
| <input type="checkbox"/> | Add scaler/chip air button to foot control | | | | 4346E | | | | | | | \$100.00 | |
| S | 6' Umbilical Tubing | | | | | | | | | | | Included | |
| <input type="checkbox"/> | Additional Umbilical Length Per Foot, includes sheath tubing - Qty____ | | | | 52758 | | | | | | | \$70.00 | |
| S | Asepsis Utility Center and Valves | | | | | | | | | | | Included | |
| <input type="checkbox"/> | Delete Asepsis Utility Center and Valves | | | | 4347E | | | | | | | -\$190.00 | |

Step 3 Configure Your Light

| S | No Light On Unit | | N/C |
|--------------------------|---|--------|------------|
| <input type="checkbox"/> | Post Mount Series 4 LED Light (White) (Requires DCI Edge Light Post 53900W) | LP4000 | \$3,200.00 |
| <input type="checkbox"/> | Post Mount Series 5 LED Light (White) (Requires DCI Edge Light Post 53900W) | LP5000 | \$3,810.00 |
| <input type="checkbox"/> | Light Post w/Pelton & Crane Bushing, 30" (White) | 53900W | \$310.00 |
| <input type="checkbox"/> | Post Mount Series 4 LED Light (Gray) (Requires DCI Edge Light Post 53900G) | LP4050 | \$3,200.00 |
| <input type="checkbox"/> | Post Mount Series 5 LED Light (Gray) (Requires DCI Edge Light Post 53900G) | LP5050 | \$3,810.00 |
| <input type="checkbox"/> | Light Post w/Pelton & Crane Bushing, 30" (Gray) | 53900G | \$310.00 |

Step 4 Configure Your Over the Patient Chair Mount

| S | No Chair Mount | | N/C |
|--------------------------|--|-------|-----------|
| <input type="checkbox"/> | To Fit A-dec® Cascade® 1040 | 8522E | \$480.00 |
| <input type="checkbox"/> | To Fit A-dec® Priority 1005 & 1010 | 8515E | \$480.00 |
| <input type="checkbox"/> | To Fit A-dec® Decade® 1020, 1021, 1221 & 1015 | 8500E | \$410.00 |
| <input type="checkbox"/> | To Fit A-dec® 500® | 8538E | \$410.00 |
| <input type="checkbox"/> | To Fit Belmont Bel 20,50/Celebrity/Westar 2001 & 5000/LSM DC-1000 & C0H0 | 8493E | \$480.00 |
| <input type="checkbox"/> | To Fit Belmont AcuTrac, B99 & Celesta | 8917E | \$480.00 |
| <input type="checkbox"/> | To Fit DentalEZ E3000 | 8552E | \$480.00 |
| <input type="checkbox"/> | To Fit DentalEZ Advantage E2000 | 8919E | \$480.00 |
| <input type="checkbox"/> | To Fit Marus Pro/DCI Equipment, Pelton & Crane 1700 | 8561E | \$480.00 |
| <input type="checkbox"/> | To Fit Pelton Spirit, 1500, 1800, 2000, 3000/Schein Empire | 8918E | \$410.00 |
| <input type="checkbox"/> | To Fit Royal | 8497E | \$410.00 |
| | | | Sub-total |
| | | | QTY |
| | | | TOTAL |

Contact Customer Service for Adapters Not Listed

A-dec®, Cascade®, Decade® and A-dec 500® are registered trademarks of A-dec, Inc. DCI has no affiliation with A-dec and A-dec has not authorized DCI replacement parts to be used on or in connection with A-dec® products.

CABINET DELIVERY SYSTEMS AND CARTS



12 o'clock Floor-Mounted Delivery



DR5550 Floor-Mounted Dr & Assistant's Delivery

Standard features include:

- Mobile Solid Surface Work Top
- Mobile Work Surface Tray
- Air and Water Quick Disconnects



DR5551 Floor-Mounted Assistant's Delivery

S - Standard Features - Select Your Option

| | | Part Number | Retail Price | TOTAL |
|---|--------------------------|-------------|--------------|-------------|
| Step 1 Select Your Delivery System | | | | |
| 12 o'clock Floor-Mounted Delivery System with Dr. & Assistant's Instruments, Mobile Solid Surface Work Top & Touch Pads Can only be paired w/DCI Edge Series Chair. Complete Steps 1 thru 5 | <input type="checkbox"/> | DR5550 | Gray | \$11,000.00 |
| 12 o'clock Floor-Mounted Delivery System with Dr. & Assistant's Instruments, Mobile Solid Surface Work Top. Complete Steps 1 thru 5 | <input type="checkbox"/> | DR5450 | Gray | \$10,500.00 |
| 12 o'clock Floor-Mounted Assistant's Instruments, Mobile Solid Surface Work Top & Touch Pads Can only be paired w/DCI Edge Series Chair. Complete Steps 1, 3, 4 & 5 | <input type="checkbox"/> | DR5551 | Gray | \$4,950.00 |
| 12 o'clock Floor-Mounted Assistant's Instruments & Mobile Solid Surface Work Top Complete Steps 1, 3, 4 & 5 | <input type="checkbox"/> | DR5451 | Gray | \$4,750.00 |
| 12 o'clock Floor-Mounted Solid Surface Work Top Only. Complete Steps 1 & 4 | <input type="checkbox"/> | DR5454 | Gray | \$3,500.00 |

Step 2 Configure Your Control Head

| | Syringe and air driven handpiece tubings are sterling color | Standard delivery head includes 4 holders and 3 4-hole handpiece tubings | <input type="checkbox"/> Default Instrument Position <input type="checkbox"/> Optional Instrument Position | Part Number | Holder Positions | | | | | | Retail Price | TOTAL | |
|--------------------------|---|--|---|-------------|------------------|---|---|---|---|---|--------------|------------|--|
| | | | | | 0 | 1 | 2 | 3 | 4 | 5 | | | |
| S | DCI Precision Comfort A/W Syringe and Tubing | | | | | | | | | | | N/C | |
| S | HP Tubing 4 Hole Asepsis | | | | | | | | | | | N/C | |
| <input type="checkbox"/> | HP Tubing ISO 5 Hole Power Optic & Bulb (Requires Light Source System) | | | | 9446E | | | | | | | \$340.00 | |
| <input type="checkbox"/> | HP Tubing ISO-C 6 Pin Power Optic (Requires Light Source System) | | | | 8904E | | | | | | | \$250.00 | |
| <input type="checkbox"/> | Delete HP Position 3 | | | | 4344E | | | | | | | -\$40.00 | |
| <input type="checkbox"/> | Add HP Position Includes Water Valve, Holder & HP Tubing (Not applicable if a scaler option is ordered) | | | | 42889 | | | | | | | \$240.00 | |
| <input type="checkbox"/> | One Button Syringe w/Holder (for Air, DR5550 & DR5450 only) | | | | 42845G | | | | | | | \$140.00 | |
| <input type="checkbox"/> | NSK NLZE Electric Micromotor and Integrated Touchpad Mounted, Universal Mount (Replaces 1 HP Position) | | | | 55987 | | | | | | | \$3,450.00 | |
| <input type="checkbox"/> | Dentsply Sirona Cavitron® Steri-Mate 360 Scaler (Adds 1 HP Position) | | | | 42830G | | | | | | | \$4,090.00 | |
| <input type="checkbox"/> | Acteon® Newtron LED Piezoelectric Scaler (Adds 1 HP Position) | | | | 42825G | | | | | | | \$4,090.00 | |
| <input type="checkbox"/> | DTE Woodpecker Piezoelectric Scaler (Adds 1 HP Position) | | | | 42819G | | | | | | | \$1,950.00 | |
| <input type="checkbox"/> | Acteon® Mini LED Curing Light | | | | 42814G | | | | | | | \$2,510.00 | |
| <input type="checkbox"/> | DTE Woodpecker Curing Light | | | | 42809G | | | | | | | \$1,230.00 | |
| <input type="checkbox"/> | Acteon® Sopro Camera Dock (Camera wand not included) | | | | 42838G | | | | | | | \$3,380.00 | |
| <input type="checkbox"/> | Power Supply, Required for one or more Scaler/Curing Light Options | | | | 59578 | | | | | | | N/C | |
| <input type="checkbox"/> | Deluxe Single HP Light Source System w/Transformer | | | | 8404E | | | | | | | \$180.00 | |
| <input type="checkbox"/> | Deluxe Dual HP Light Source System w/Transformer | | | | 9378E | | | | | | | \$190.00 | |
| <input type="checkbox"/> | Deluxe Triple HP Light Source System w/Transformer | | | | 8353E | | | | | | | \$590.00 | |
| S | Wet/Dry Foot Control | | | | | | | | | | | Included | |
| <input type="checkbox"/> | Add scaler/chip air button on foot control | | | | 4346E | | | | | | | \$100.00 | |

Upon special request for left handed Drs, syringe can be Position 5, Electric motor position 4, etc.

Step 3 Configure Your Water System & Utilities

| | | Part Number | Retail Price | TOTAL |
|--------------------------|--|-------------|--------------|----------|
| S | Internal Umbilical Tubing, 7' | | Included | |
| <input type="checkbox"/> | Additional Umbilical Length Per Foot - Qty____ | | 52758 | \$70.00 |
| S | 12 o'clock Utility Center and Valves | | Included | |
| <input type="checkbox"/> | Standard J-box Housing and Cover Only, Gray | | 8312E | \$100.00 |

Step 4 Select Your Work Surface Color & Accessories (See colors dciedge.com/request-samples)

| | | | | |
|----------|--|--|-----|--|
| S | Mobile Solid Surface Work Top, 22 x 23 | | N/C | |
|----------|--|--|-----|--|

For custom solid surface colors please contact Customer Service for pricing and lead time

Step 5 Configure Your Assistant's Package

| | | | | |
|--------------------------|---------------------------|-------|----------|--|
| <input type="checkbox"/> | Extra HVE and Tubing | 42043 | \$120.00 | |
| <input type="checkbox"/> | Autoclavable Dry Oral Cup | 5840E | \$42.00 | |

12 o'clock Mobile Delivery

OPTION



DR4550



NSK NLZE Electric Motor Integration



DR4451

S - Standard Features - Select Your Option

| Part Number | Retail Price | TOTAL |
|-------------|--------------|-------|
|-------------|--------------|-------|

Step 1 Select Your Delivery System

| | | | | | |
|---|--------------------------|--------|------|------------|--|
| 12 o'clock Cabinet Mount Delivery System with Dr & Assistant's Instruments & Mobile Solid Surface Work Top & Touch Pad Can only be paired w/DCI Edge Series Chair Complete Steps 1 thru 5 | <input type="checkbox"/> | DR4550 | Gray | \$7,350.00 | |
| 12 o'clock Cabinet Mount Delivery System with Dr & Assistant's Instruments & Mobile Solid Surface Work Top Complete Steps 1 thru 5 | <input type="checkbox"/> | DR4450 | Gray | \$6,860.00 | |
| 12 o'clock Cabinet Mount Assistant's Instruments & Mobile Solid Surface Work Top Complete Steps 1, 3, 4 & 5 | <input type="checkbox"/> | DR4451 | Gray | \$4,780.00 | |
| 12 o'clock Cabinet Mount Mobile Solid Surface Work Top Only Complete Steps 1 & 4 | <input type="checkbox"/> | DR4454 | Gray | \$3,070.00 | |

12 o'clock Mobile Delivery

Step 2 Configure Your Control Head

| Syringe and air driven handpiece tubings are sterling color | | Standard delivery head includes 4 holders and 3 4-hole handpiece tubings | | <input type="checkbox"/> Default Instrument Position <input type="checkbox"/> Optional Instrument Position | | Part Number | Holder Positions | | | | | | Retail Price | TOTAL |
|---|---|--|--|---|--|-------------|------------------|---|---|---|---|---|--------------|-------|
| | | | | | | | 0 | 1 | 2 | 3 | 4 | 5 | | |
| <input checked="" type="checkbox"/> | DCI Precision Comfort A/W Syringe and Tubing | | | | | | | | | | | | N/C | |
| <input checked="" type="checkbox"/> | HP Tubing 4 Hole Asepsis | | | | | | | | | | | | N/C | |
| <input type="checkbox"/> | HP Tubing ISO 5 Hole Power Optic & Bulb (Requires Light Source System) | | | | | 9446E | | | | | | | \$340.00 | |
| <input type="checkbox"/> | HP Tubing ISO-C 6 Pin Power Optic (Requires Light Source System) | | | | | 8904E | | | | | | | \$250.00 | |
| <input type="checkbox"/> | Delete HP Position 3 | | | | | 4344E | | | | | | | -\$40.00 | |
| <input type="checkbox"/> | Add HP Position Includes Water Valve, Holder & HP Tubing (Not applicable if a scaler option is ordered) | | | | | 42889 | | | | | | | \$240.00 | |
| <input type="checkbox"/> | One Button Syringe w/Holder (for Air, DR4550 & DR4450 only) | | | | | 42845G | | | | | | | \$140.00 | |
| <input type="checkbox"/> | NSK NLZE Electric Micromotor and Integrated Touchpad Mounted on left (Replaces 1 HP Position) | | | | | 42834 | | | | | | | \$3,450.00 | |
| <input type="checkbox"/> | NSK NLZE Electric Micromotor and Integrated Touchpad Mounted on right (Replaces 1 HP Position) | | | | | 42835 | | | | | | | \$3,450.00 | |
| <input type="checkbox"/> | Dentsply Sirona Cavitron® Steri-Mate 360 Scaler (Adds 1 HP Position) | | | | | 42830G | | | | | | | \$4,090.00 | |
| <input type="checkbox"/> | Acteon® Newtron LED Piezoelectric Scaler (Adds 1 HP Position) | | | | | 42825G | | | | | | | \$4,090.00 | |
| <input type="checkbox"/> | DTE Woodpecker Piezoelectric Scaler (Adds 1 HP Position) | | | | | 42819G | | | | | | | \$1,950.00 | |
| <input type="checkbox"/> | Acteon® Mini LED Curing Light | | | | | 42814G | | | | | | | \$2,510.00 | |
| <input type="checkbox"/> | DTE Woodpecker Curing Light | | | | | 42809G | | | | | | | \$1,230.00 | |
| <input type="checkbox"/> | Acteon® Sopro Camera Dock (Camera wand not included) | | | | | 42838G | | | | | | | \$3,380.00 | |
| <input type="checkbox"/> | Power Supply, Required for one or more Scaler/Curing Light Options | | | | | 59578 | | | | | | | N/C | |
| <input type="checkbox"/> | Deluxe Single HP Light Source System w/Transformer | | | | | 8404E | | | | | | | \$180.00 | |
| <input type="checkbox"/> | Deluxe Dual HP Light Source System w/Transformer | | | | | 9378E | | | | | | | \$190.00 | |
| <input type="checkbox"/> | Deluxe Triple HP Light Source System w/Transformer | | | | | 8353E | | | | | | | \$590.00 | |
| <input checked="" type="checkbox"/> | Wet/Dry Foot Control | | | | | | | | | | | | Included | |
| <input type="checkbox"/> | Add scaler/chip air button on foot control | | | | | 4346E | | | | | | | \$100.00 | |

Upon special request for left handed Drs, syringe can be Position 5, Electric motor position 4, etc.

Step 3 Configure Your Water System & Utilities

| | | Part Number | Retail Price | TOTAL |
|--|---|-------------|--------------|----------|
| Step 3A Configure Your Water System | | | | |
| <input checked="" type="checkbox"/> | Kit, Water System, Arm Mounted | | 42847 | Included |
| <input type="checkbox"/> | Deluxe Self-Contained Water System 1 Liter Bottle | | 4788E | N/C |
| <input type="checkbox"/> | Delete Deluxe Water System | | 4355E | -\$80.00 |
| Step 3B Configure your Junction Box and Utilities | | | | |
| <input checked="" type="checkbox"/> | Internal Umbilical Tubing, 7' | | | Included |
| <input type="checkbox"/> | Additional Umbilical Length Per Foot - Qty___ | | 52758 | \$70.00 |
| <input checked="" type="checkbox"/> | 12 o'clock Utility Center and Valves | | | Included |
| <input type="checkbox"/> | Standard J-box Housing and Cover Only, Gray | | 8312E | \$100.00 |

Step 4 Select Your Work Surface Color (See colors dciedge.com/request-samples)

| | | | | |
|-------------------------------------|--|--|--|-----|
| <input checked="" type="checkbox"/> | Mobile Solid Surface Work Top, 22"x22" | | | N/C |
| <input type="checkbox"/> | Wilsonart Gibraltar Solid Surface Countertop Selection | | | N/C |

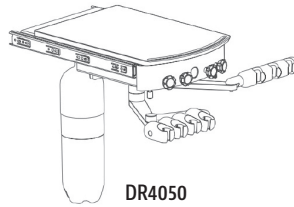
For custom solid surface colors please contact Customer Service for pricing and lead time

Step 5 Configure Your Assistant's Package

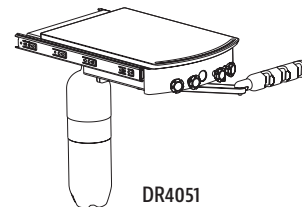
| | | | | |
|--------------------------|---------------------------|--|-------|----------|
| <input type="checkbox"/> | Extra HVE and Tubing | | 42043 | \$120.00 |
| <input type="checkbox"/> | Autoclavable Dry Oral Cup | | 5840E | \$42.00 |

Under Counter Mount Delivery Systems

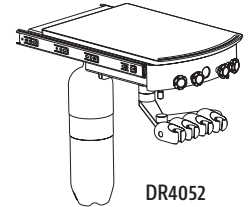
12 o'clock Slide Out Delivery



DR4050



DR4051



DR4052

S - Standard Features - Select Your Option

| Part Number | Retail Price | TOTAL |
|-------------|--------------|-------|
|-------------|--------------|-------|

Step 1 Select Your Delivery System

| | | | | | |
|--|--------------------------|--------|------|------------|--|
| 12 o'clock Slide-Out Delivery System w/Dr & Assistant's Instruments Complete Steps 1 thru 5 | <input type="checkbox"/> | DR4050 | Gray | \$3,950.00 | |
| 12 o'clock Slide-Out Cabinet Mount Delivery System w/Assistant's Instruments Complete Steps 1, 2, 4 & 5 | <input type="checkbox"/> | DR4051 | Gray | \$3,200.00 | |
| 12 o'clock Slide-Out Cabinet Mount w/Doctor's Instruments Complete Steps 1 thru 4 | <input type="checkbox"/> | DR4052 | Gray | \$3,680.00 | |

Step 2 Select Your Work Surface Color (See colors dciedge.com/request-samples)

| | | | | | |
|---|--|--|--|-----|--|
| S Mobile Solid Surface Work Top, 10.5" x 11" | | | | N/C | |
| <input type="checkbox"/> Wilsonart Solid Surface Countertop | | | | N/C | |

*For custom solid surface colors please contact Customer Service for pricing and lead time

Step 3 Configure Your Control Head

| S = Standard Configuration 1 Precision Comfort air/water syringe 3 4-hole handpiece tubings | Syringe and air driven handpiece tubings are sterling color | <input type="checkbox"/> Default Instrument Position <input type="checkbox"/> Optional Instrument Position | Part Number | Holder Positions | | | | | Retail Price | TOTAL |
|--|---|---|-------------|------------------|---|---|---|---|--------------|-------|
| | | | | 0 | 1 | 2 | 3 | 4 | | |
| S DCI Precision Comfort A/W Syringe and Tubing | | | | | | | | | N/C | |
| S HP Tubing 4 Hole Asepsis | | | | | | | | | N/C | |
| <input type="checkbox"/> HP Tubing ISO 5 Hole Power Optic & Bulb (Requires Light Source System) | | | 9446E | | | | | | \$340.00 | |
| <input type="checkbox"/> HP Tubing ISO-C 6 Pin Power Optic (Requires Light Source System) | | | 8904E | | | | | | \$250.00 | |
| <input type="checkbox"/> Delete HP Position 3 | | | 4344E | | | | | | -\$40.00 | |
| <input type="checkbox"/> Add HP Position Includes Water Valve, Holder & HP Tubing (Not applicable if a scaler option is ordered) | | | 42889 | | | | | | \$240.00 | |
| <input type="checkbox"/> One Button Syringe w/Holder (for Air, DR4050 & DR4052 only) | | | 42845G | | | | | | \$140.00 | |
| <input type="checkbox"/> NSK NLZE Electric Micromotor and Integrated Touchpad (Replaces 1 HP Position) | | | 42836 | | | | | | \$3,450.00 | |
| <input type="checkbox"/> Dentsply Sirona Cavitron® Steri-Mate 360 Scaler (Adds 1 HP Position) | | | 42830G | | | | | | \$4,090.00 | |
| <input type="checkbox"/> Acteon® Newtron LED Piezoelectric Scaler (Adds 1 HP Position) | | | 42825G | | | | | | \$4,090.00 | |
| <input type="checkbox"/> DTE Woodpecker Piezoelectric Scaler (Adds 1 HP Position) | | | 42819G | | | | | | \$1,950.00 | |
| <input type="checkbox"/> Acteon® Mini LED Curing Light | | | 42814G | | | | | | \$2,510.00 | |
| <input type="checkbox"/> DTE Woodpecker Curing Light | | | 42809G | | | | | | \$1,230.00 | |
| <input type="checkbox"/> Acteon® Sopro Camera Dock (Camera wand not included) | | | 42838G | | | | | | \$3,380.00 | |
| <input type="checkbox"/> Power Supply, Required for one or more Scaler/Curing Light Options | | | 59578 | | | | | | N/C | |
| <input type="checkbox"/> Deluxe Single HP Light Source System w/Transformer | | | 8404E | | | | | | \$180.00 | |
| <input type="checkbox"/> Deluxe Dual HP Light Source System w/Transformer | | | 9378E | | | | | | \$190.00 | |
| <input type="checkbox"/> Deluxe Triple HP Light Source System w/Transformer | | | 8353E | | | | | | \$590.00 | |
| S Wet/Dry Foot Control | | | | | | | | | Included | |
| <input type="checkbox"/> Add scaler/chip air button on foot control | | | 4346E | | | | | | \$100.00 | |

Step 4 Configure Water System & Utilities

Step 3A Configure Your Water System

| | | | | |
|--|--|-------|----------|--|
| S Integrated 2-Liter Deluxe Self-Contained Water System | | 42871 | Included | |
| Delete Deluxe Water System | | 4355E | -\$80.00 | |

Step 3B Configure your Junction Box and Utilities

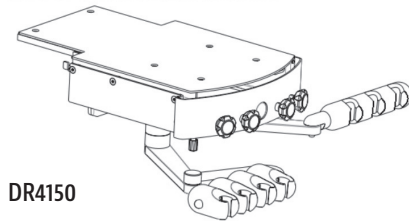
| | | | | |
|---|--|-------|----------|--|
| S Internal Umbilical Tubing, 7' | | | Included | |
| <input type="checkbox"/> Additional Umbilical Length Per Foot - Qty____ | | 52758 | \$70.00 | |
| S 12 o'clock Utility Center and Valves | | | Included | |

Step 5 Configure Your Assistant's Package

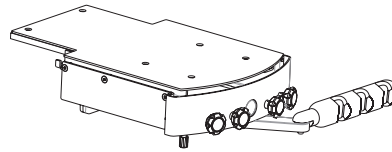
| | | | | |
|--|--|-------|----------|--|
| <input type="checkbox"/> Extra HVE and Tubing | | 42043 | \$120.00 | |
| <input type="checkbox"/> Autoclavable Dry Oral Cup | | 5840E | \$42.00 | |

Under Counter Mount Delivery Systems

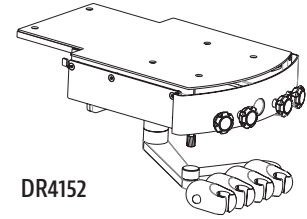
12 o'clock Fixed Delivery



DR4150



DR4151



DR4152

S - Standard Features - Select Your Option

| Part Number | Retail Price | TOTAL |
|-------------|--------------|-------|
|-------------|--------------|-------|

Step 1 Select Your Delivery System

| | | | | | |
|--|--------------------------|--------|------|------------|--|
| 12 o'clock Cabinet Mount Fixed Delivery System w/Dr & Assistant's Instruments Complete Steps 1 thru 4 | <input type="checkbox"/> | DR4150 | Gray | \$3,360.00 | |
| 12 o'clock Cabinet Mount Fixed Delivery System w/Assistant's Instruments Complete Steps 1, 3 & 4 | <input type="checkbox"/> | DR4151 | Gray | \$2,720.00 | |
| 12 o'clock Cabinet Mount Fixed Delivery System w/Dr's Instruments Complete Steps 1 thru 3 | <input type="checkbox"/> | DR4152 | Gray | \$3,140.00 | |

Step 2 Configure Your Control Head

| | S= Standard Configuration 1 Precision Comfort air/water syringe 3 4-hole handpiece tubings | Syringe and air driven handpiece tubings are sterling color | <input type="checkbox"/> Default Instrument Position <input type="checkbox"/> Optional Instrument Position | Part Number | Holder Positions | | | | | Retail Price | TOTAL |
|---|--|--|---|----------------|------------------|---|---|---|---|--------------|-------|
| | | | | | 0 | 1 | 2 | 3 | 4 | | |
| <input checked="" type="checkbox"/> DCI Precision Comfort A/W Syringe and Tubing | | | | | | | | | | N/C | |
| <input checked="" type="checkbox"/> HP Tubing 4 Hole Asepsis | | | | | | | | | | N/C | |
| <input type="checkbox"/> HP Tubing ISO 5 Hole Power Optic & Bulb (Requires Light Source System) | | | | 9446E | | | | | | \$340.00 | |
| <input type="checkbox"/> HP Tubing ISO-C 6 Pin Power Optic (Requires Light Source System) | | | | 8904E | | | | | | \$250.00 | |
| <input type="checkbox"/> Delete HP Position 3 | | | | 4344E | | | | | | -\$40.00 | |
| <input type="checkbox"/> Add HP Position Includes Water Valve, Holder & HP Tubing (Not applicable if a scaler option is ordered) | | | | 42889 | | | | | | \$240.00 | |
| <input type="checkbox"/> One Button Syringe w/Holder (for Air, DR4150 & DR4152 only) | | | | 42845G | | | | | | \$140.00 | |
| <input type="checkbox"/> NSK NLZE Electric Micromotor and Integrated Touchpad (Replaces 1 HP Position) | | | | 42836 | | | | | | \$3,450.00 | |
| <input type="checkbox"/> Dentsply Sirona Cavitron® Steri-Mate 360 Scaler (Adds 1 HP Position) | | | | 42830G | | | | | | \$4,090.00 | |
| <input type="checkbox"/> Acteon® Newtron LED Piezoelectric Scaler (Adds 1 HP Position) | | | | 42825G | | | | | | \$4,090.00 | |
| <input type="checkbox"/> DTE Woodpecker Piezoelectric Scaler (Adds 1 HP Position) | | | | 42819G | | | | | | \$1,950.00 | |
| <input type="checkbox"/> Acteon® Mini LED Curing Light | | | | 42814G | | | | | | \$2,510.00 | |
| <input type="checkbox"/> DTE Woodpecker Curing Light | | | | 42809G | | | | | | \$1,230.00 | |
| <input type="checkbox"/> Acteon® Sopro Camera Dock (Camera wand not included) | | | | 42838G | | | | | | \$3,380.00 | |
| <input type="checkbox"/> Power Supply, Required for one or more Scaler/Curing Light Options | | | | 59578 | | | | | | N/C | |
| <input type="checkbox"/> Deluxe Single HP Light Source System w/Transformer | | | | 8404E | | | | | | \$180.00 | |
| <input type="checkbox"/> Deluxe Dual HP Light Source System w/Transformer | | | | 9378E | | | | | | \$190.00 | |
| <input type="checkbox"/> Deluxe Triple HP Light Source System w/Transformer | | | | 8353E | | | | | | \$590.00 | |
| <input checked="" type="checkbox"/> Wet/Dry Foot Control | | | | | | | | | | Included | |
| <input type="checkbox"/> Add scaler/chip air button on foot control | | | | 4346E | | | | | | \$100.00 | |

Step 3 Configure Water System & Utilities

| | Part Number | Retail Price | TOTAL |
|--|-------------|--------------|-------|
| Step 3A Configure Your Water System | | | |
| <input checked="" type="checkbox"/> Cabinet Mounted 1-Liter Deluxe Self-Contained Water System | 4788E | Included | |
| <input type="checkbox"/> Delete Deluxe Water System | 4355E | -\$80.00 | |
| Step 3B Configure your Junction Box and Utilities | | | |
| <input checked="" type="checkbox"/> Internal Umbilical Tubing, 7' | | Included | |
| <input type="checkbox"/> Additional Umbilical Length Per Foot - Qty___ | 52758 | \$70.00 | |
| <input checked="" type="checkbox"/> 12 o'clock Utility Center and Valves | | Included | |
| <input type="checkbox"/> Standard J-box Housing and Cover Only, Gray | 8312E | \$100.00 | |

Step 4 Configure Your Assistant's Package

| | | | |
|--|-------|----------|--|
| <input type="checkbox"/> Extra HVE and Tubing | 42043 | \$120.00 | |
| <input type="checkbox"/> Autoclavable Dry Oral Cup | 5840E | \$42.00 | |

Cart Systems



4511



4540



4221

Shown w/Optional Storage Organizer

*Includes 2 HVE's

| | | Part Number | Retail Price | TOTAL |
|---|--------------------------|-------------|--------------|------------|
| Step 1 Select Your Cart System | | | | |
| Cart System with 3 Automatic HP Complete Steps 1 thru 3 | <input type="checkbox"/> | 4511 | White | \$4,180.00 |
| Cart System with 3 Automatic HP w/Assistant's Pkg (2 HVE's & SE) Complete Steps 1 thru 3 | <input type="checkbox"/> | 4540 | White | \$4,600.00 |
| Self Contained Cart System with 3 Automatic HP Complete Steps 1 & 2 | <input type="checkbox"/> | 4523 | White | \$2,680.00 |
| Operator Support Cart w/Assistant's Pkg, H-Frame Complete Steps 1, 3 & 4 Includes Water System, J-Box w/Valves and 7' Umbilical | <input type="checkbox"/> | 4221 | White | \$3,170.00 |
| Operator Support Cart w/U-Frame Complete Step 1 | <input type="checkbox"/> | 4227 | White | \$1,640.00 |
| Operator Support Cart w/H-Frame Complete Step 1 | <input type="checkbox"/> | 4228 | White | \$1,640.00 |

Carts with U-Frame are 18 ¼" deep, 20" wide, extends 26" to 39" high.

For Additional Cart Configurations please contact Customer Service for model numbers and pricing

STANDARD CONFIGURATION



NSK NLZE INTEGRATION CONFIGURATION



NSK NLZE + OPTIONAL DEVICE INTEGRATION CONFIGURATION



POSITION:

0 1 2 3

0 1 2 3

0 1 2 3 4 5

Step 2 Configure Your Automatic Cart

| | S= Standard Configuration 1 Precision Comfort air/water syringe 3 4-hole handpiece tubings | Syringe and air driven handpiece tubings are sterling color | <input type="checkbox"/> Default Instrument Position <input type="checkbox"/> Optional Instrument Position | Part Number | Holder Positions | | | | | | Retail Price | TOTAL |
|-------------------------------------|---|---|---|-------------|------------------|---|---|---|---|---|--------------|-------|
| | | | | | 0 | 1 | 2 | 3 | 4 | 5 | | |
| <input checked="" type="checkbox"/> | DCI Precision Comfort A/W Syringe and Tubing | | | | | | | | | | N/C | |
| <input checked="" type="checkbox"/> | HP Tubing 4 Hole Asepsis | | | | | | | | | | N/C | |
| <input type="checkbox"/> | HP Tubing ISO 5 Hole Power Optic & Bulb (Requires Light Source System) | | | 9446E | | | | | | | \$340.00 | |
| <input type="checkbox"/> | HP Tubing ISO-C 6 Pin Power Optic (Requires Light Source System) | | | 8904E | | | | | | | \$250.00 | |
| <input type="checkbox"/> | Delete HP Position 3 | | | 4344E | | | | | | | -\$40.00 | |
| <input type="checkbox"/> | Add HP Position Includes Water Valve, Holder & HP Tubing (Not applicable if a scaler option is ordered) | | | 4229 | | | | | | | \$240.00 | |
| <input type="checkbox"/> | Air only Syringe w/Holder (for Air) | | | 42845W | | | | | | | \$140.00 | |
| <input type="checkbox"/> | NSK NLZE Electric Micromotor and Integrated Touchpad (Replaces 1 HP Position) | | | 42833 | | | | | | | \$3,450.00 | |
| <input type="checkbox"/> | Dentsply Sirona Cavitron® Steri-Mate 360 Scaler (Adds 1 HP Position) | | | 42828 | | | | | | | \$4,090.00 | |
| <input type="checkbox"/> | Acteon® Newtron LED Piezoelectric Scaler (Adds 1 HP Position) | | | 42823 | | | | | | | \$4,090.00 | |
| <input type="checkbox"/> | DTE Woodpecker Piezoelectric Scaler (Adds 1 HP Position) | | | 42817 | | | | | | | \$1,950.00 | |
| <input type="checkbox"/> | Acteon® Mini LED Curing Light | | | 42812 | | | | | | | \$2,510.00 | |
| <input type="checkbox"/> | DTE Woodpecker Curing Light | | | 42807 | | | | | | | \$1,230.00 | |
| <input type="checkbox"/> | Acteon® Sopro Camera Dock (Camera wand not included) | | | 42838W | | | | | | | \$3,380.00 | |
| <input type="checkbox"/> | Power Supply, Required for one or more Scaler/Curing Light Options | | | 59578 | | | | | | | N/C | |
| <input type="checkbox"/> | Deluxe Single HP Light Source System w/Transformer | | | 8404E | | | | | | | \$180.00 | |
| <input type="checkbox"/> | Deluxe Dual HP Light Source System w/Transformer | | | 9378E | | | | | | | \$190.00 | |
| <input type="checkbox"/> | Deluxe Three HP Light Source System w/Transformer | | | 8353E | | | | | | | \$590.00 | |
| <input checked="" type="checkbox"/> | Stainless Steel Tray and Non-Skid Pad | | | | | | | | | | Included | |
| <input checked="" type="checkbox"/> | Wet/Dry Foot Control | | | | | | | | | | Included | |
| <input checked="" type="checkbox"/> | Handpiece Flush | | | | | | | | | | Included | |
| <input type="checkbox"/> | Add scaler/chip air button to foot control | | | 4346E | | | | | | | \$100.00 | |

Step 3 Configure Water System & Utilities

| | | Part Number | Retail Price | TOTAL |
|--|--|-------------|--------------|-----------|
| Step 3A Configure Your Water System | | | | |
| <input checked="" type="checkbox"/> | Self Contained Water System with 1L Bottle | | | Included |
| Step 3B Configure your Junction Box and Utilities | | | | |
| <input checked="" type="checkbox"/> | 7' Umbilical Tubing | | | Included |
| <input type="checkbox"/> | Additional Umbilical Length Per Foot, includes sheath tubing - Qty____ | | 52758 | \$70.00 |
| <input checked="" type="checkbox"/> | Asepsis Utility Center and Valves | | | Included |
| <input type="checkbox"/> | Delete Asepsis Utility Center and Valves | | 4347E | -\$190.00 |

Step 4 Configure Your Support Cart

| | | | | |
|-------------------------------------|---|--|-------|-----------|
| <input checked="" type="checkbox"/> | 19" x 22" Solid White Laminate Top w/Gray Edge Banding | | | Included |
| <input type="checkbox"/> | Storage Well w/Organizer | | 8400E | \$300.00 |
| | | | | Sub-total |
| | | | | QTY |
| | | | | TOTAL |

LIGHTS



Series 5 & Series 4 LED Lights

Track
Mount Light

Ceiling
Mount Light

Wall Mount Light Enclosure
w/Glove & Towel

Post Mount &
System Mount
Light

Cabinet Mount Light Also Available.

Wall Mount Light

LED Technology at an Affordable Price

| Features | Series 5 | Series 4 |
|--|----------|----------|
| LED Technology | X | X |
| Reflective Technology | X | X |
| 3rd Axis Head Rotation | X | X |
| Dual Touch Controls | X | X |
| Offered in Gray or White | X | X |
| 3" X 6" Light Pattern | X | X |
| 5000K Color Temperature | X | X |
| No-Cure Setting | X | |
| Dual No Touch Sensors | X | |
| Programmable Sensors to control On/Off & No Cure | X | |

LED Lamp - 24Volt, 10 Watts · Input Voltage - 115V/230V, 50/60 Hz · Light Intensity (Lux), 35,000 to 17,500 · Focal Length - 27"

| | | Part Number | | Retail Price | TOTAL |
|---|---|--------------------------|--------|--------------|------------|
| Select Light Configuration | | | | | |
| Post Mount LED Light (Chair Mount and Post required for Stand Alone application) | | | | | |
| <input type="checkbox"/> | Post Mount Series 5 LED Light 115V | <input type="checkbox"/> | LP5000 | White | \$3,810.00 |
| | | <input type="checkbox"/> | LP5050 | Gray | \$3,810.00 |
| <input type="checkbox"/> | Post Mount Series 4 LED Light 115V | <input type="checkbox"/> | LP4000 | White | \$3,200.00 |
| | | <input type="checkbox"/> | LP4050 | Gray | \$3,200.00 |
| <input type="checkbox"/> | 24" Light Post Extension w/Clamp & Cord | <input type="checkbox"/> | 8921E | White | \$240.00 |
| | | <input type="checkbox"/> | 8969E | Gray | \$240.00 |

| | | | | | |
|---|----------------------------------|--------------------------|--------|------|------------|
| LED System Light for DCI Edge Chair Only for Swing Mount | | | | | |
| DS5552 or DS4552 are required for Stand Alone application | | | | | |
| <input type="checkbox"/> | Series 5 LED System Light | <input type="checkbox"/> | LS5550 | Gray | \$3,810.00 |
| | | <input type="checkbox"/> | DS5552 | Gray | \$1,050.00 |
| <input type="checkbox"/> | Series 4 LED System Light | <input type="checkbox"/> | LS4550 | Gray | \$3,200.00 |
| | | <input type="checkbox"/> | DS4552 | Gray | \$1,050.00 |

| | | | | | |
|---|----------------------------------|--------------------------|--------|------|------------|
| LED System Light for DCI Edge Chair Only for Over The Patient | | | | | |
| Chair adapter and light post are required for Stand Alone application | | | | | |
| <input type="checkbox"/> | Series 5 LED System Light | <input type="checkbox"/> | LS5550 | Gray | \$3,810.00 |
| | | <input type="checkbox"/> | 52909 | Gray | \$490.00 |
| | | <input type="checkbox"/> | 53893G | Gray | \$370.00 |
| <input type="checkbox"/> | Series 4 LED System Light | <input type="checkbox"/> | LS4550 | Gray | \$3,200.00 |
| | | <input type="checkbox"/> | 42865 | Gray | \$490.00 |
| | | <input type="checkbox"/> | 53893G | Gray | \$370.00 |

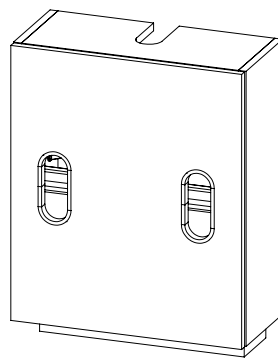
| | | | | | |
|--|---|--------------------------|--------|-------|------------|
| Ceiling Mount LED Light (Available for 8' ceiling upon request) | | | | | |
| <input type="checkbox"/> | Ceiling Mount Series 5 LED Light, 115V | <input type="checkbox"/> | LC5000 | White | \$4,530.00 |
| | | <input type="checkbox"/> | LC5050 | Gray | \$4,530.00 |
| <input type="checkbox"/> | Ceiling Mount Series 4 LED Light, 115V | <input type="checkbox"/> | LC4000 | White | \$3,920.00 |
| | | <input type="checkbox"/> | LC4050 | Gray | \$3,920.00 |
| <input type="checkbox"/> | Light Suspension Tube for 8.5' Ceiling | <input type="checkbox"/> | SC4050 | White | N/C |
| | | <input type="checkbox"/> | SC4055 | Gray | N/C |
| <input type="checkbox"/> | Light Suspension Tube for 9' Ceiling | <input type="checkbox"/> | SC4250 | White | N/C |
| | | <input type="checkbox"/> | SC4255 | Gray | N/C |
| <input type="checkbox"/> | Light Suspension Tube for 9.5' Ceiling | <input type="checkbox"/> | SC4550 | White | N/C |
| | | <input type="checkbox"/> | SC4555 | Gray | N/C |
| <input type="checkbox"/> | Light Suspension Tube for 10' Ceiling | <input type="checkbox"/> | SC4750 | White | N/C |
| | | <input type="checkbox"/> | SC4755 | Gray | N/C |
| | | | | | QTY |
| | | | | | TOTAL |

| | | Part Number | | Retail Price | TOTAL |
|------------------------------|---|--------------------------|--------|--------------|------------|
| Track Mount LED Light | | | | | |
| <input type="checkbox"/> | Track Mount Series 5 LED Light, 115V | <input type="checkbox"/> | LT5000 | White | \$5,760.00 |
| | | <input type="checkbox"/> | LT5050 | Gray | \$5,760.00 |
| <input type="checkbox"/> | Track Mount Series 4 LED Light, 115V | <input type="checkbox"/> | LT4000 | White | \$5,150.00 |
| | | <input type="checkbox"/> | LT4050 | Gray | \$5,150.00 |
| <input type="checkbox"/> | Light Suspension Tube for 8' Ceiling | <input type="checkbox"/> | ST1350 | White | N/C |
| | | <input type="checkbox"/> | ST1355 | Gray | N/C |
| <input type="checkbox"/> | Light Suspension Tube for 8.5' Ceiling | <input type="checkbox"/> | ST1950 | White | N/C |
| | | <input type="checkbox"/> | ST1955 | Gray | N/C |
| <input type="checkbox"/> | Light Suspension Tube for 9' Ceiling | <input type="checkbox"/> | ST2550 | White | N/C |
| | | <input type="checkbox"/> | ST2555 | Gray | N/C |
| <input type="checkbox"/> | Light Suspension Tube for 9.5' Ceiling | <input type="checkbox"/> | ST3150 | White | N/C |
| | | <input type="checkbox"/> | ST3155 | Gray | N/C |
| <input type="checkbox"/> | Light Suspension Tube for 10' Ceiling | <input type="checkbox"/> | ST3750 | White | N/C |
| | | <input type="checkbox"/> | ST3755 | Gray | N/C |

| Cabinet Mount LED Light | | | | | |
|--------------------------------|---|--------------------------|--------|-------|------------|
| <input type="checkbox"/> | Cabinet Mount Series 5 Light, 115V | <input type="checkbox"/> | LX5000 | White | \$5,310.00 |
| | | <input type="checkbox"/> | LX5050 | Gray | \$5,310.00 |
| <input type="checkbox"/> | Cabinet Mount Series 4 Light, 115V | <input type="checkbox"/> | LX4000 | White | \$4,640.00 |
| | | <input type="checkbox"/> | LX4050 | Gray | \$4,640.00 |

| Wall Mount LED Light | | | | | |
|-----------------------------|--|--------------------------|--------|-------|------------|
| <input type="checkbox"/> | Wall Mount Series 5 Light, 115V | <input type="checkbox"/> | LW5000 | White | \$5,310.00 |
| | | <input type="checkbox"/> | LW5050 | Gray | \$5,310.00 |
| <input type="checkbox"/> | Wall Mount Series 4 Light, 115V | <input type="checkbox"/> | LW4000 | White | \$4,640.00 |
| | | <input type="checkbox"/> | LW4050 | Gray | \$4,640.00 |
| | | | | | QTY |
| | | | | | TOTAL |

| | | Part Number | Retail Price | TOTAL |
|---|--------------------------|---------------|--------------|-------|
| Wall Mount Light Cabinet | | | | |
| Wall Mount Light Enclosure w/Glove & Towel (24" x 9.5" x 20.5") | <input type="checkbox"/> | CS1LIGHTGLOVE | \$810.00 | |



CS1LIGHTGLOVE

Hardware Included with Cabinet Mount Light: Qty (4) ¼-20 x 1" cap head screws, Qty (4) ¼-20 nuts, Qty (4) ¼" lock washers.

Hardware Included with Wall Mount Light: Qty (4) ¼-20 X 1" cap head screws, Qty (4) lag bolt ½" x 3", Qty (4) ½" washers, Qty (4) lag bolt covers.

DENTAL CABINETRY



Features

Powder coated structural steel subbase won't warp or delaminate over time

Exclusive Infinity Edge countertops

Brushed stainless steel valance with clock timer and LED task lighting

4 electrical outlets on 12 o'clock cabinets

USB hub with 2 ports for computer connectivity

CPU storage in Upper Section allows for multiple monitor mount options

Center chase accommodates computer cables and analgesia controls

Accepts multiple DCI Edge 12 o'clock delivery systems

12 o'clock cabinet available in wall mounted, free standing or with pass through option

Offered with both front and side access storage

Side cabinets are offered in multiple lengths & styles

Side cabinets feature stainless steel under mounted sink with faucet and soap dispenser

Soft close feature included on all drawers and doors

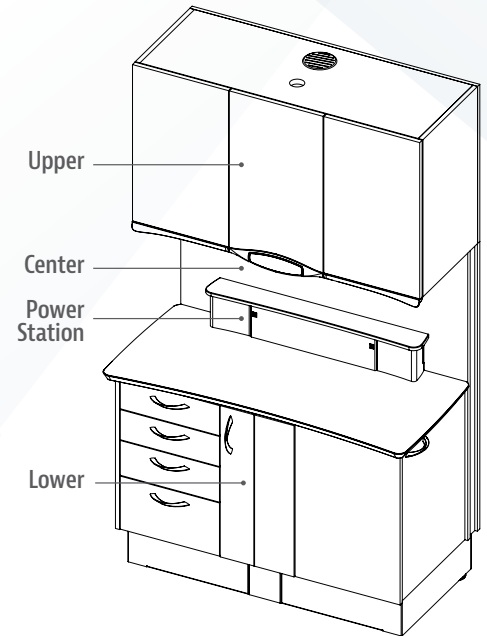
SAVINGS BY DESIGN

The Series 5 cabinet line features a variety of options so you can configure them to meet the needs of your practice. Our goal is to offer you the freedom to customize your dental cabinets with no hidden costs.



Series 5

42" Free Standing 12 o'clock Cabinet Custom Build Your DCI Edge Efficiency Center



CR5500 42" Free Standing 12 o'clock Cabinet with Recommended Options.

| | | |
|---------|---------------------------------------|--------------------|
| CR5500 | 42" Series 5 12 o'clock Cabinet | \$11,000.00 |
| 67369 | Monitor Mount, Standard 24" Top Mount | \$1,000.00 |
| Various | Recommended Options* | \$2,785.00 |
| | | \$14,785.00 |

CR5500 42" Free Standing 12 o'clock Cabinet with Standard Features.

| | | |
|--------|---------------------------------|-------------|
| CR5500 | 42" Series 5 12 o'clock Cabinet | \$11,000.00 |
|--------|---------------------------------|-------------|

*Textured glass window front, center, and back, ergo shelves left and right. 3 glass shelves in upper center module. Glove dispensers left and right, power station accessory panel with tip out bins. Side access with 1 ergo shelf, 4 utility drawers and 4 colored drawer organizer systems.

S - Standard Features - Select Your Option

| Part Number | Retail Price | TOTAL |
|-------------|--------------|-------|
|-------------|--------------|-------|

Step 1 Select Your Cabinet

| | | | | |
|--|--------------------------|--------|-------------|--|
| 42" Series 5 12 o'clock Cabinet, Free Standing | <input type="checkbox"/> | CR5500 | \$11,000.00 | |
|--|--------------------------|--------|-------------|--|

Step 2 Select Your Upper Section

| | | | | |
|--|--------------------------|---------|------------|--|
| 24" Pass Thru Upper w/Wood Doors (Includes CPU Vent) w/interior Lighting 74" Tall Cabinet | <input type="checkbox"/> | 67136 | N/C | |
| 24" Pass Thru Upper w/Glass Doors (Includes CPU Vent) w/interior Lighting 74" Tall Cabinet | <input type="checkbox"/> | 67136GD | \$660.00 | |
| 24" Non-Pass Thru Upper w/Wood Doors (Includes CPU Vent) w/interior Lighting 74" Tall Cabinet | S | 67200 | N/C | |
| 24" Non-Pass Thru Upper w/Glass Doors (Includes CPU Vent) w/interior Lighting 74" Tall Cabinet | <input type="checkbox"/> | 67200GD | \$330.00 | |
| 30" Pass Thru Upper w/Wood Doors (Includes CPU Vent) w/interior Lighting 80" Tall Cabinet | <input type="checkbox"/> | 67201 | \$400.00 | |
| 30" Pass Thru Upper w/Glass Doors (Includes CPU Vent) w/interior Lighting 80" Tall Cabinet | <input type="checkbox"/> | 67201GD | \$1,060.00 | |
| 30" Non-Pass Thru Upper w/Wood Doors (Includes CPU Vent) w/interior Lighting 80" Tall Cabinet | <input type="checkbox"/> | 67202 | \$400.00 | |
| 30" Non-Pass Thru Upper w/Glass Doors (Includes CPU Vent) w/interior Lighting 80" Tall Cabinet | <input type="checkbox"/> | 67202GD | \$730.00 | |

Step 3 Select Your Cabinet Colors (See colors dciedge.com/request-samples)

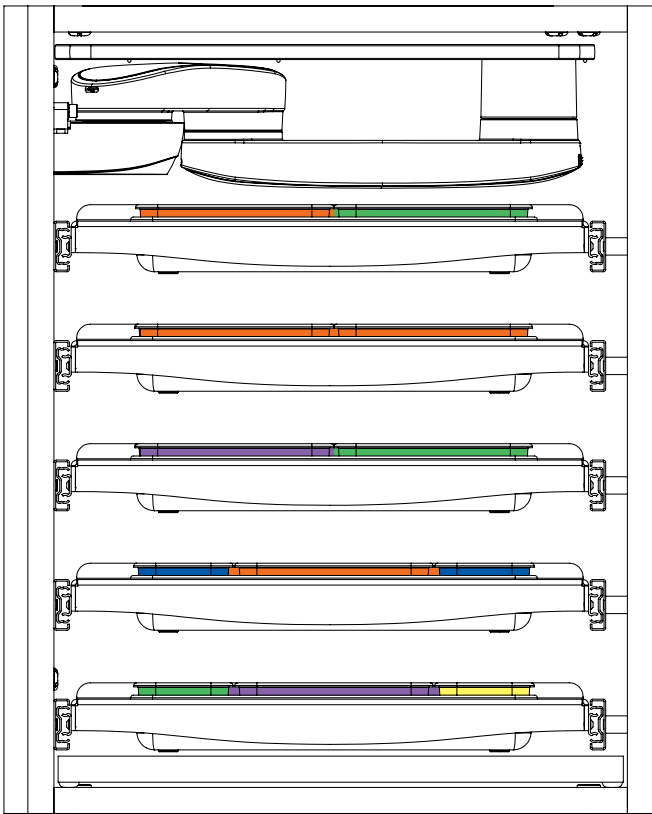
| | | | | |
|--|--------------------------|----------|-----|--|
| Wilsonart Laminate for Vertical Surfaces, Single Color | S | Included | N/C | |
| Wilsonart Laminate for Vertical Surfaces - Color for Upper Cabinet | <input type="checkbox"/> | Included | N/C | |
| Wilsonart Laminate for Vertical Surfaces - Color for Lower Cabinet | <input type="checkbox"/> | Included | N/C | |
| Wilsonart Solid Surface Countertop | S | Included | N/C | |
| Accent Laminate (Center Midsection Panel) | <input type="checkbox"/> | | N/C | |
| Accent Laminate (Removable Back Panel and Side Trim) | <input type="checkbox"/> | | N/C | |

Step 4 Configure Your Uppers

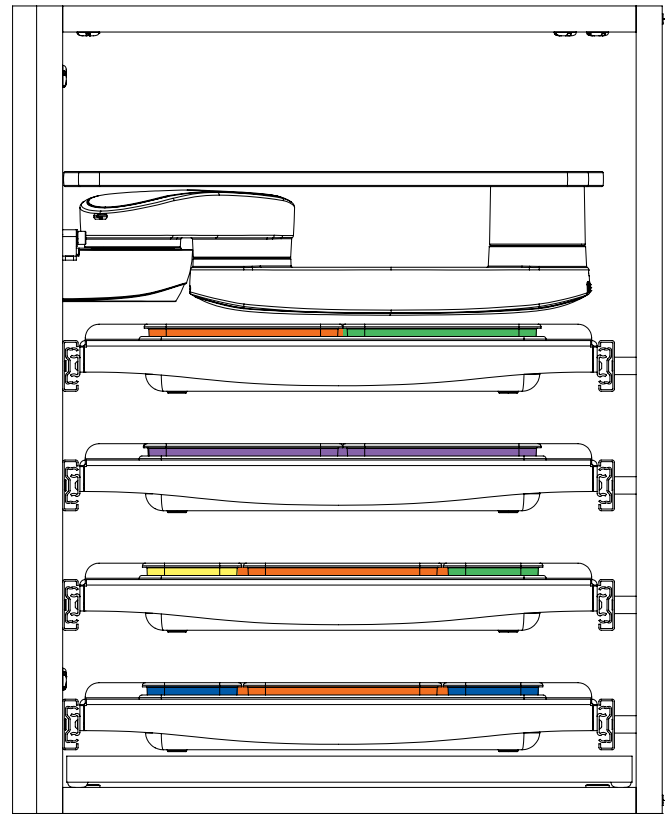
| | | Height | Part Number | Retail Price | TOTAL |
|--|-------------------------------------|-----------|-------------|--------------|-------|
| Configure Your 24" Upper - Standard Height | | | | | |
| Step 4A 24" Upper Left for 74" Tall Cabinet | | | | | |
| Side Panel No Glove Dispenser (w/3 Glass Shelves) | <input checked="" type="checkbox"/> | 24" Upper | 67146 | N/C | |
| Side Panel Glove Dispenser (w/2 Glass Shelves) | <input type="checkbox"/> | 24" Upper | 67264 | N/C | |
| Additional Set of 3 Glass Shelves | <input type="checkbox"/> | 24" Upper | 67359 | \$130.00 | |
| Step 4B 24" Upper Center for 74" Tall Cabinet | | | | | |
| No Shelves | <input checked="" type="checkbox"/> | 24" Upper | | N/C | |
| Additional Set of 3 Glass Shelves | <input type="checkbox"/> | 24" Upper | 67359 | \$130.00 | |
| Step 4C 24" Upper Right for 74" Tall Cabinet | | | | | |
| Side Panel No Glove Dispenser (w/3 Glass Shelves) | <input checked="" type="checkbox"/> | 24" Upper | 67146 | N/C | |
| Side Panel Glove Dispenser (w/2 Glass Shelves) | <input type="checkbox"/> | 24" Upper | 67264 | N/C | |
| Additional Set of 3 Glass Shelves | <input type="checkbox"/> | 24" Upper | 67359 | \$130.00 | |
| Configure Your 30" Upper - Extended Height | | | | | |
| Step 4A 30" Upper Left for 80" Tall Cabinet | | | | | |
| Side Panel No Glove Dispenser (w/3 Glass Shelves) | <input checked="" type="checkbox"/> | 30" Upper | 67199 | N/C | |
| Side Panel Glove Dispenser (w/2 Glass Shelves) | <input type="checkbox"/> | 30" Upper | 67266 | N/C | |
| Additional Set of 3 Glass Shelves | <input type="checkbox"/> | 30" Upper | 67359 | \$130.00 | |
| Step 4B 30" Upper Center for 80" Tall Cabinet | | | | | |
| No Shelves | <input checked="" type="checkbox"/> | 30" Upper | | N/C | |
| Additional Set of 3 Glass Shelves | <input type="checkbox"/> | 30" Upper | 67359 | \$130.00 | |
| Step 4C 30" Upper Right for 80" Tall Cabinet | | | | | |
| Side Panel No Glove Dispenser (w/3 Glass Shelves) | <input checked="" type="checkbox"/> | 30" Upper | 67199 | N/C | |
| Side Panel Glove Dispenser (w/2 Glass Shelves) | <input type="checkbox"/> | 30" Upper | 67266 | N/C | |
| Additional Set of 3 Glass Shelves | <input type="checkbox"/> | 30" Upper | 67359 | \$130.00 | |

Step 5 Configure Your Center - Midsection

| | | | | | |
|---|-------------------------------------|--|--------|----------|--|
| Step 5 Configure Your Center | | | | | |
| Step 5A Choose Your Center Options | | | | | |
| Glove Dispenser Left | <input type="checkbox"/> | | 67126L | \$70.00 | |
| Glove Dispenser Right | <input type="checkbox"/> | | 67126R | \$70.00 | |
| Ergo Shelf Left | <input type="checkbox"/> | | 67089 | \$360.00 | |
| Ergo Shelf Right | <input type="checkbox"/> | | 67179 | \$360.00 | |
| Static Shelf 40" Wide | <input type="checkbox"/> | | 67191 | \$250.00 | |
| No options | <input checked="" type="checkbox"/> | | | N/C | |
| 5B Configure Your Power Station Panel (Comes Standard with Dual 120V Outlets with Access Doors, 2 USB Ports) | | | | | |
| Solid Accessory Panel, Dual 120V Outlets with Access Door, 2 USB Outlets | <input checked="" type="checkbox"/> | | 67164 | N/C | |
| Nitrous Cutout, Accessory Panel (Porter MXR) | <input type="checkbox"/> | | 67165 | N/C | |
| Nitrous Cutout, Accessory Panel (Accutron Ultra PC 36800) | <input type="checkbox"/> | | 67167 | N/C | |
| Nitrous Cutout, Accessory Panel (Accutron Ultra Digital PC 56800) | <input type="checkbox"/> | | 67169 | N/C | |
| Nitrous Cutout, Accessory Panel (Porter Digital MDM) | <input type="checkbox"/> | | 67583 | N/C | |
| Accessory Panel with 4 Tip Out Bins | <input type="checkbox"/> | | 67233 | \$175.00 | |



67148R



67149R

Step 6 Configure Your Lower

| | | Part Number | Retail Price | TOTAL |
|---|-------------------------------------|-------------|--------------|-------|
| Step 6A Configure Left Base | | | | |
| Front Access Door Module | <input checked="" type="checkbox"/> | 68413L | N/C | |
| Front Access 3 Full Extension Drawer Module | <input type="checkbox"/> | 67416L | N/C | |
| Front Access 4 Full Extension Drawer Module | <input type="checkbox"/> | 67344L | N/C | |
| Front Access Flip Down Module | <input type="checkbox"/> | 67417L | N/C | |
| Side Access Door Module | <input type="checkbox"/> | 68416L | N/C | |
| Side Access 3 Full Extension Drawer Module | <input type="checkbox"/> | 67418L | N/C | |
| Side Access 4 Full Extension Drawer Module | <input type="checkbox"/> | 67419L | N/C | |
| Side Access 1 Ergo Shelf, 5 Utility Drawers, (Each Utility Drawer Comes STD w/Colored Drawer Organizer System.) See Step 7 for PN details, Includes (2) 67256, (2) 67257, (1) 67258 | <input type="checkbox"/> | 67148L | \$1,100.00 | |
| Side Access 1 Ergo Shelf, 4 Utility Drawers, (Each Utility Drawer Comes STD w/Colored Drawer Organizer System.) See Step 7 for PN details, Includes (2) 67256, (1) 67257, (1) 67258 | <input type="checkbox"/> | 67149L | \$960.00 | |
| Side Access, 1 Ergo Shelf. See Step 7 To Select up to 5 Utility Drawers & Qty of Bins | <input type="checkbox"/> | 67433L | \$510.00 | |
| Side Access, No Ergo Shelf. See Step 7 To Select up to 6 Utility Drawers & Qty of Bins | <input type="checkbox"/> | 67449L | \$150.00 | |
| Step 6B Configure Center Base | | | | |
| Center Module w/Bifold door only & 2 Shelves | <input checked="" type="checkbox"/> | 67420 | N/C | |
| Center Module for Floor-Mounted Delivery | <input type="checkbox"/> | 67157 | N/C | |
| Center Module for Mobile Work Surface Delivery w/Bifold door and 1 shelf | <input type="checkbox"/> | 67439 | N/C | |
| Center Module for Slide Out Delivery/Fixed | <input type="checkbox"/> | 68489 | N/C | |
| Center Module with CPU Vents | <input type="checkbox"/> | 68420 | N/C | |
| Center Module w/Door only & 2 shelves | <input type="checkbox"/> | 68419 | N/C | |

Cabinets will be manufactured with Standard Features if no options are indicated when order is placed. For custom laminate or solid surface colors please contact Customer Service for availability, pricing and lead time.

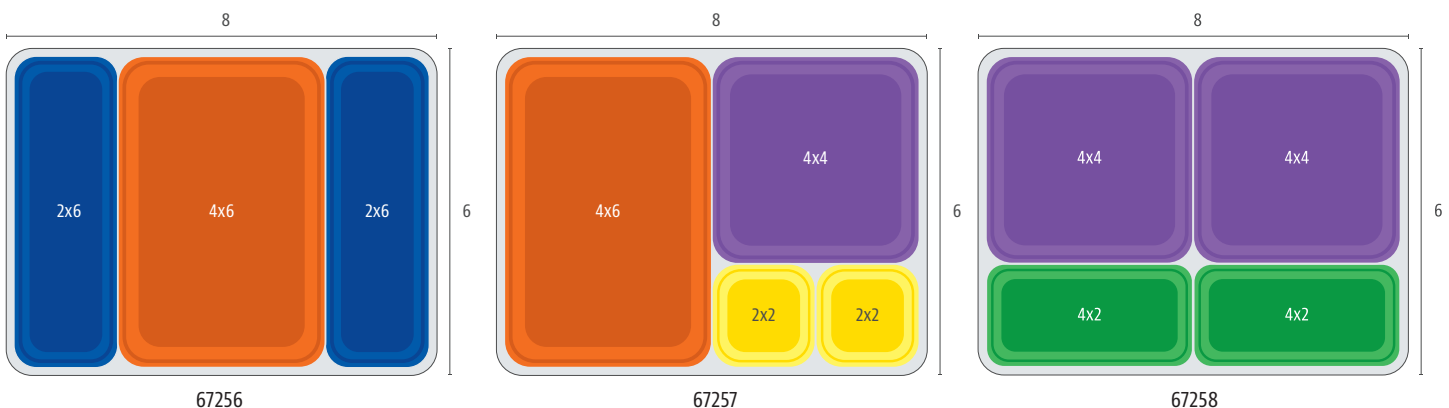
| | Part Number | Retail Price | TOTAL |
|--|--|--------------|-------|
| Step 6C Configure Right Base | | | |
| Front Access Door Module | <input type="checkbox"/> 68413R | N/C | |
| Front Access 3 Full Extension Drawer Module | <input type="checkbox"/> 67416R | N/C | |
| Front Access 4 Full Extension Drawer Module | <input type="checkbox"/> 67344R | N/C | |
| Front Access Flip Down Module | <input type="checkbox"/> 67417R | N/C | |
| Side Access Door Module, Right | <input checked="" type="checkbox"/> 68416R | N/C | |
| Side Access 3 Full Extension Drawer Module, Right | <input type="checkbox"/> 67418R | N/C | |
| Side Access 4 Full Extension Drawer Module, Right | <input type="checkbox"/> 67419R | N/C | |
| Side Access 1 Ergo Shelf, 5 Utility Drawers (Each Utility Drawer Comes STD w/Colored Drawer Organizer System.) See Step 7 for PN details, Includes (2) 67256, (2) 67257, (1) 67258 | <input type="checkbox"/> 67148R | \$1,100.00 | |
| Side Access 1 Ergo Shelf, 4 Utility Drawers (Each Utility Drawer Comes STD w/Colored Drawer Organizer System.) See Step 7 for PN details, Includes (2) 67256, (1) 67257, (1) 67258 | <input type="checkbox"/> 67149R | \$960.00 | |
| Side Access, 1 Ergo Shelf. See Step 7 To Select up to 5 Utility Drawers & Qty of Bins | <input type="checkbox"/> 67433R | \$510.00 | |
| Side Access, No Ergo Shelf. See Step 7 To Select up to 6 Utility Drawers & Qty of Bins | <input type="checkbox"/> 67449R | \$150.00 | |

Step 7 Choose Your Custom Organizational Accessories

| | Part Number | QTY | Retail Price | TOTAL |
|--|-------------|-----|--------------|-------|
| 1 Utility Drawer Only | 67178 | | \$44.00 | |
| Colored Drawer Organizers and Bin Container, 2 Blue 2 X 6, 1 Orange 4 X 6, 1 Clear Container 6 X 8 | 67256 | | \$70.00 | |
| Colored Drawer Organizers and Bin Container, 1 Orange 4 X 6, 1 Purple 4 X 4, 2 Yellow 2 X 2, 1 Clear Container 6 X 8 | 67257 | | \$70.00 | |
| Colored Drawer Organizers and Bin Container, 2 Purple 4 X 4, 2 Green 2 X 4, 1 Clear Container 6 X 8 | 67258 | | \$70.00 | |
| Bin Container for Colored Drawer Organizers, 6 x 8, Clear | 67087 | | \$25.00 | |
| Colored Drawer Organizer, 2 x 2, Yellow | 67116 | | \$6.00 | |
| Colored Drawer Organizer, 2 x 4, Green | 67117 | | \$8.00 | |
| Colored Drawer Organizer, 2 x 6, Blue | 67118 | | \$10.00 | |
| Colored Drawer Organizer, 4 x 4, Purple | 67119 | | \$10.00 | |
| Colored Drawer Organizer, 4 x 6, Orange | 67120 | | \$12.00 | |

Step 8 Choose Additional Cabinet Options

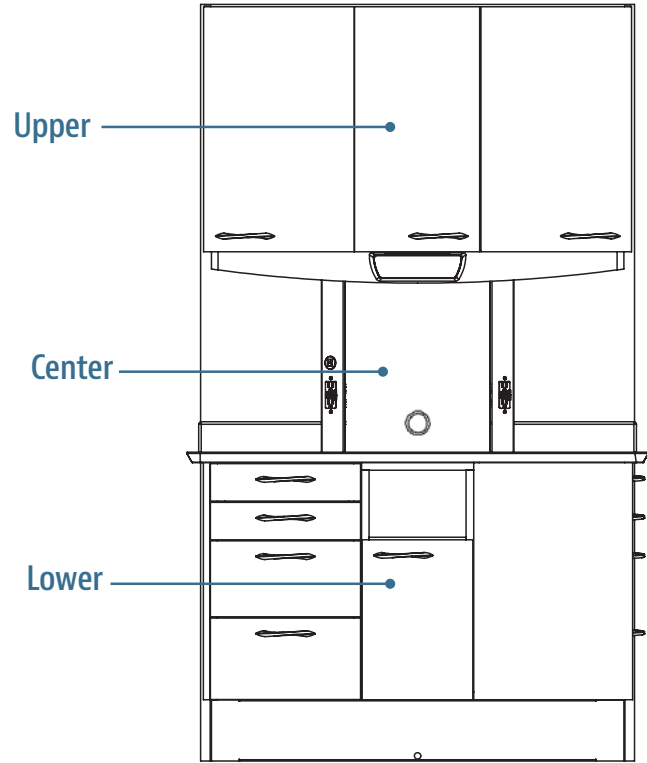
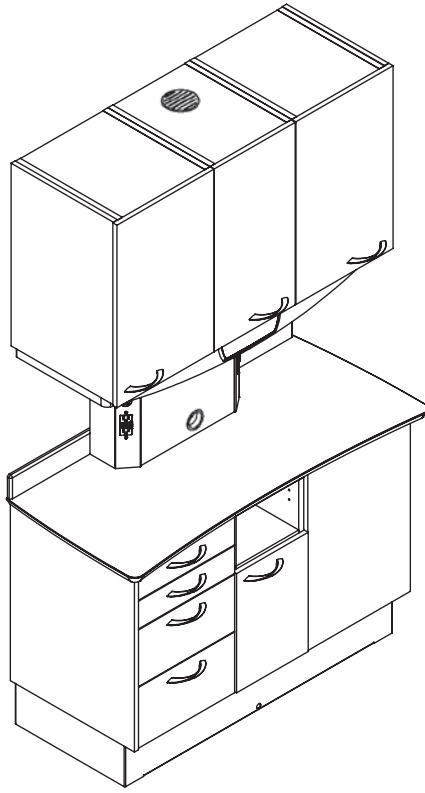
| | | | | |
|-------------------------------------|--------------------------|----------|------------|--|
| Monitor Mount, Standard Top Mounted | <input type="checkbox"/> | 67369 | \$1,000.00 | |
| Monitor Mount, Extended Top Mounted | <input type="checkbox"/> | 67370 | \$1,000.00 | |
| Add Lead Lining, 12 o'clock | <input type="checkbox"/> | 68551-CR | \$2,140.00 | |



Series 5

42" Wall Mounted 12 o'clock Cabinet

All Models include Soft Close Doors & Drawers and Additional Center Upper CPU Vents



S - Standard Features - Select Your Option

| Part Number | Retail Price | TOTAL |
|-------------|--------------|-------|
|-------------|--------------|-------|

Step 1 Select Your Cabinet

| | | | | |
|--|--------------------------|--------|------------|--|
| 42" Series 5 12 o'clock Cabinet, Wall Mounted | <input type="checkbox"/> | CR5000 | \$8,490.00 | |
| 42" Series 5 12 o'clock Cabinet, Wall Mounted with Decorative Back Panel | <input type="checkbox"/> | CR5002 | \$9,110.00 | |
| 42" Series 5 12 o'clock Cabinet, Lower Only | <input type="checkbox"/> | CR5001 | \$4,760.00 | |
| 42" Series 5 12 o'clock Cabinet, Upper Only | <input type="checkbox"/> | CR5020 | \$3,750.00 | |
| Add Decorative Back Panel for 42" Wall Mounted Cabinet, Lower Only | <input type="checkbox"/> | 68960 | \$390.00 | |

Step 2 Select Your Upper Section

| | | | | |
|--------------------------------|--------------------------|-------|----------|--|
| 24" Upper for 74" Tall Cabinet | <input type="checkbox"/> | 69751 | Included | |
| 30" Upper for 80" Tall Cabinet | <input type="checkbox"/> | 69752 | \$410.00 | |

Step 3 Select Your Cabinet Colors (See colors dciedge.com/request-samples)

| | | | | |
|--|--------------------------|--|----------|--|
| Wilsonart Laminate for Vertical Surfaces | <input type="checkbox"/> | | Included | |
| Wilsonart Solid Surface Countertop | <input type="checkbox"/> | | Included | |

Step 3 Configure Your Upper

| | | Height | Part Number | Retail Price | TOTAL |
|--|--------------------------|-----------|-------------|--------------|-------|
| Step 3A Configure Left Upper | | | | | |
| 3 Glass Shelves (no Glove Dispenser) | S | 24" Upper | 68264L | N/C | |
| | S | 30" Upper | 69735L | N/C | |
| Front Door Glove Dispenser (w/2 glass shelves) | <input type="checkbox"/> | 24" Upper | 68951 | N/C | |
| | <input type="checkbox"/> | 30" Upper | 69736 | N/C | |
| Additional set of 3 Glass Shelves | <input type="checkbox"/> | | 68953L | \$140.00 | |

For custom laminate or solid surface colors please contact Customer Service for pricing and lead time.

For 12 o'clock Cabinet Sliding Monitor Mounts, we suggest ICW Ultra 500i. Order at www.icwusa.com

Step 3 Configure Your Upper

| | | Height | Part Number | Retail Price | TOTAL |
|--|---------------------------------------|-----------|-------------|--------------|-------|
| Step 3B Configure Center Upper- CPU Ready | | | | | |
| Upper Center Module for CPU | <input checked="" type="checkbox"/> S | 24" Upper | 68266 | N/C | |
| | <input checked="" type="checkbox"/> S | 30" Upper | 69737 | N/C | |
| Additional set of 3 Glass Shelves | <input type="checkbox"/> | | 68265G | \$140.00 | |
| Step 3C Configure Right Upper | | | | | |
| 3 Glass Shelves (no Glove Dispenser) | <input checked="" type="checkbox"/> S | 24" Upper | 68264R | N/C | |
| | <input checked="" type="checkbox"/> S | 30" Upper | 69735R | N/C | |
| Front Door Glove Dispenser (w/2 glass shelves) | <input type="checkbox"/> | 24" Upper | 68952 | N/C | |
| | <input type="checkbox"/> | 30" Upper | 69738 | N/C | |
| Additional set of 3 Glass Shelves | <input type="checkbox"/> | | 68953R | \$140.00 | |
| Lead Lining | | | | | |
| Add Lead Lining, 12 o'clock | <input type="checkbox"/> | | 68551-CR | \$2,140.00 | |

Step 4 Configure Your Center

| | | | | | |
|---|---------------------------------------|--|----------|-----|--|
| Dual 120V GFI Outlets with 2 USB Connections | <input checked="" type="checkbox"/> S | | Included | N/C | |
| Series 5 Center Chase | <input checked="" type="checkbox"/> S | | 68260 | N/C | |
| Delete Series 5 Center Chase | <input type="checkbox"/> | | 68421 | N/C | |
| Series 5 Center Chase for Porter MXR | <input type="checkbox"/> | | 68261 | N/C | |
| Series 5 Center Chase for Accutron Digital Ultra PC 56800 | <input type="checkbox"/> | | 68262 | N/C | |
| Series 5 Center Chase for Accutron Ultra PC 36800 | <input type="checkbox"/> | | 68263 | N/C | |
| Series 5 Center Chase for Porter MDM | <input type="checkbox"/> | | 69990 | N/C | |

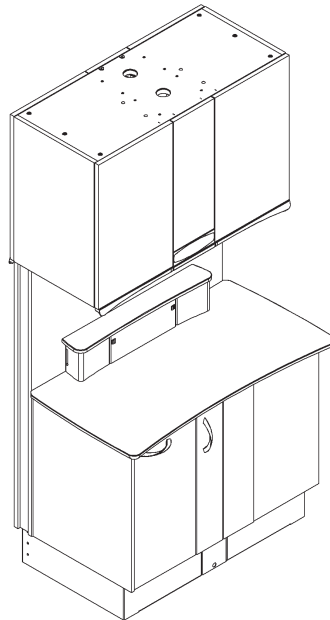
Step 5 Configure Your Lower

| | | | | | |
|--|--------------------------|--|--------|-----|--|
| Step 5A Configure Left Base | | | | | |
| Front Access Door Module | <input type="checkbox"/> | | 68413L | N/C | |
| Front Access 3 Drawer Module | <input type="checkbox"/> | | 68414L | N/C | |
| Front Access 4 Drawer Module | <input type="checkbox"/> | | 68703L | N/C | |
| Front Access Flip Down Module | <input type="checkbox"/> | | 68415L | N/C | |
| Side Access Door Module | <input type="checkbox"/> | | 68416L | N/C | |
| Side Access 3 Drawer Module | <input type="checkbox"/> | | 68417L | N/C | |
| Side Access 4 Drawer Module | <input type="checkbox"/> | | 68708L | N/C | |
| Step 5B Configure Middle Base | | | | | |
| Center Module for Mobile Delivery | <input type="checkbox"/> | | 68418 | N/C | |
| Center Module for Slide Out /Fixed Delivery | <input type="checkbox"/> | | 68489 | N/C | |
| Center Module for Floor-Mounted Delivery w/Bifold Door | <input type="checkbox"/> | | 67157 | N/C | |
| Center Module for Door Only | <input type="checkbox"/> | | 68419 | N/C | |
| Center Module for CPU | <input type="checkbox"/> | | 68420 | N/C | |
| Step 5C Configure Right Base | | | | | |
| Front Access Door Module | <input type="checkbox"/> | | 68413R | N/C | |
| Front Access 3 Drawer Module | <input type="checkbox"/> | | 68414R | N/C | |
| Front Access 4 Drawer Module | <input type="checkbox"/> | | 68703R | N/C | |
| Front Access Flip Down Module | <input type="checkbox"/> | | 68415R | N/C | |
| Side Access Door Module | <input type="checkbox"/> | | 68416R | N/C | |
| Side Access 3 Drawer Module | <input type="checkbox"/> | | 68417R | N/C | |
| Side Access 4 Drawer Module | <input type="checkbox"/> | | 68708R | N/C | |

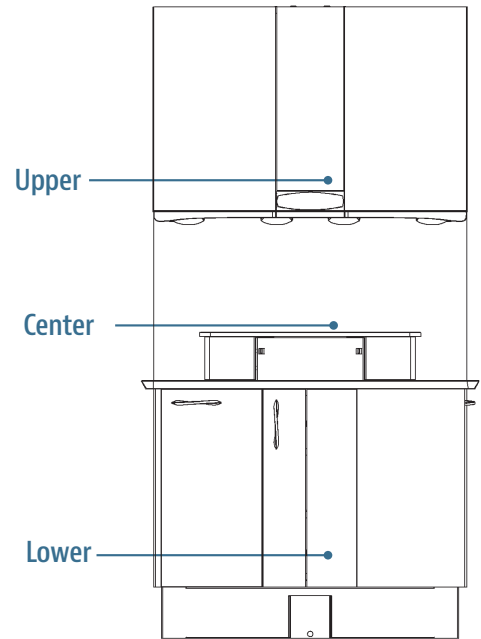
Cabinets will be manufactured with Standard Features if no options are indicated when order is placed.

Series 5

36" Free Standing 12 o'clock Cabinet Custom Build Your DCI Edge Efficiency Center



All Models include Soft Close Doors & Drawers



CR5600 36" Free Standing 12 o'clock Cabinet with Recommended Options.

| | | |
|---------|---------------------------------------|--------------------|
| CR5600 | 36" Series 5 12 o'Clock Cabinet | \$10,450.00 |
| 67369 | Monitor Mount, Standard 24" Top Mount | \$1,000.00 |
| Various | Recommended Options* | \$2,160.00 |
| | | \$13,610.00 |

CR5600 36" Free Standing 12 o'clock Cabinet with Standard Features.

| | | |
|--------|---------------------------------|-------------|
| CR5600 | 36" Series 5 12 o'clock Cabinet | \$10,450.00 |
|--------|---------------------------------|-------------|

*Textured glass windows front & back. Glove dispensers left & right, power station accessory panel with 2 tip out bins & static shelf 40" wide. Side access with 1 ergo shelf, 4 utility drawers and 4 colored drawer organizer systems.

S - Standard Features - Select Your Option

| Part Number | Retail Price | TOTAL |
|-------------|--------------|-------|
|-------------|--------------|-------|

Step 1 Select Your Cabinet

| | | | | |
|--|--------------------------|--------|-------------|--|
| 36" Series 5 12 o'clock Cabinet, Free Standing | <input type="checkbox"/> | CR5600 | \$10,450.00 | |
|--|--------------------------|--------|-------------|--|

Step 2 Select Your Upper Section

| | | | | |
|--|--------------------------|---------|------------|--|
| 24" Pass Thru Upper w/Wood Doors (Includes CPU Vent) w/interior Lighting 74" Tall Cabinet | <input type="checkbox"/> | 67278 | N/C | |
| 24" Pass Thru Upper w/Glass Doors (Includes CPU Vent) w/interior Lighting 74" Tall Cabinet | <input type="checkbox"/> | 67278GD | \$660.00 | |
| 24" Non-Pass Thru Upper w/Wood Doors (Includes CPU Vent) w/interior Lighting 74" Tall Cabinet | S | 67279 | N/C | |
| 24" Non-Pass Thru Upper w/Glass Doors (Includes CPU Vent) w/interior Lighting 74" Tall Cabinet | <input type="checkbox"/> | 67279GD | \$330.00 | |
| 30" Pass Thru Upper w/Wood Doors (Includes CPU Vent) w/interior Lighting 80" Tall Cabinet | <input type="checkbox"/> | 67280 | \$400.00 | |
| 30" Pass Thru Upper w/Glass Doors (Includes CPU Vent) w/interior Lighting 80" Tall Cabinet | <input type="checkbox"/> | 67280GD | \$1,060.00 | |
| 30" Non-Pass Thru Upper w/Wood Doors (Includes CPU Vent) w/interior Lighting 80" Tall Cabinet | <input type="checkbox"/> | 67281 | \$400.00 | |
| 30" Non-Pass Thru Upper w/Glass Doors (Includes CPU Vent) w/interior Lighting 80" Tall Cabinet | <input type="checkbox"/> | 67281GD | \$730.00 | |

Step 3 Select Your Cabinet Colors (See colors dciedge.com/request-samples)

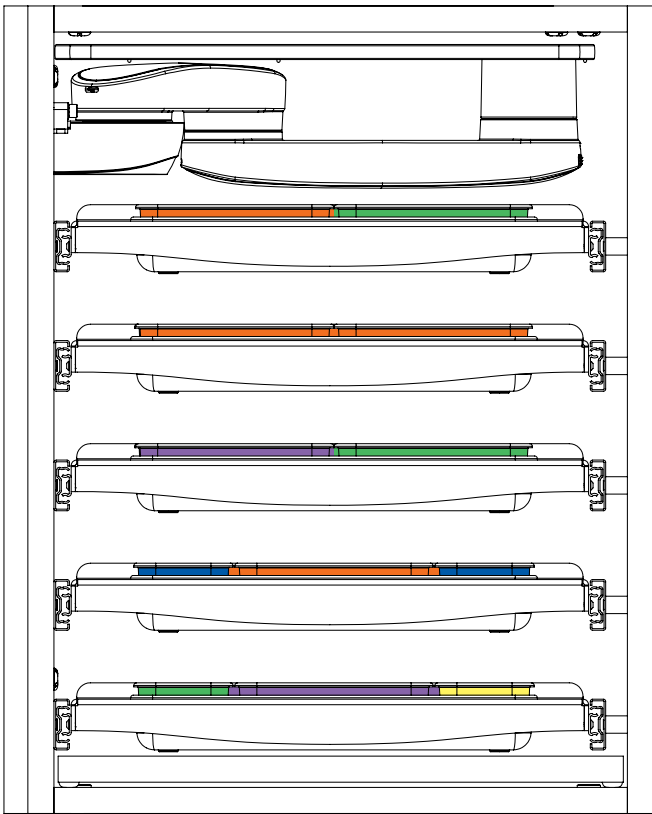
| | | | | |
|--|--------------------------|----------|-----|--|
| Wilsonart Laminate for Vertical Surfaces, Single Color | S | Included | N/C | |
| Wilsonart Laminate for Vertical Surfaces - Color for Upper Cabinet | <input type="checkbox"/> | Included | N/C | |
| Wilsonart Laminate for Vertical Surfaces - Color for Lower Cabinet | <input type="checkbox"/> | Included | N/C | |
| Wilsonart Solid Surface Countertop | S | Included | N/C | |
| Accent Laminate (Center Midsection Panel) | <input type="checkbox"/> | | N/C | |
| Accent Laminate (Removable Back Panel and Side Trim) | <input type="checkbox"/> | | N/C | |

Step 4 Configure Your Uppers

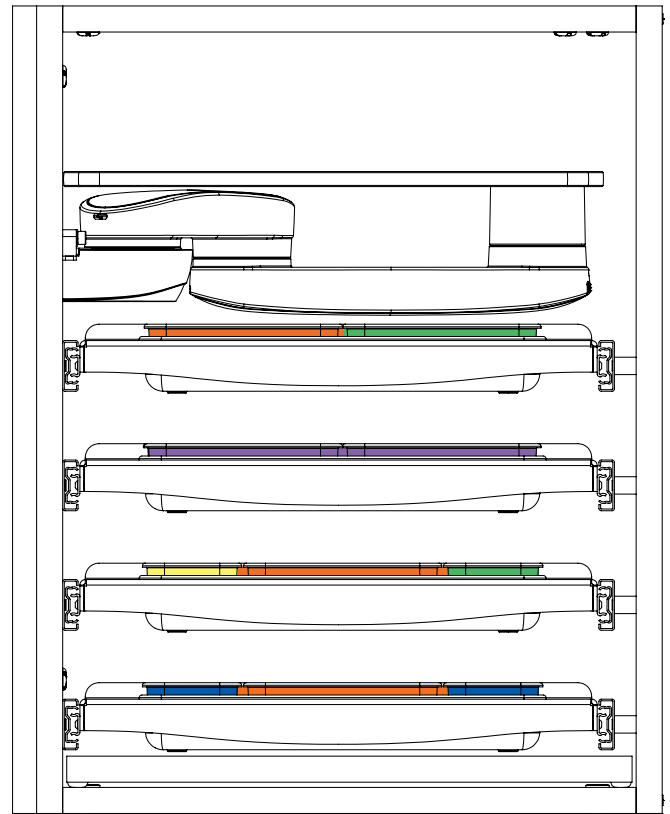
| | | Height | Part Number | Retail Price | TOTAL |
|---|-------------------------------------|-----------|-------------|--------------|-------|
| Configure Your 24" Upper - Standard Height | | | | | |
| Step 4A 24" Upper Left for 74" Tall Cabinet | | | | | |
| Side Panel No Glove Dispenser (w/3 Glass Shelves) | <input checked="" type="checkbox"/> | 24" Upper | 67146 | N/C | |
| Side Panel Glove Dispenser (w/2 Glass Shelves) | <input type="checkbox"/> | 24" Upper | 67264 | N/C | |
| Additional Set of 3 Glass Shelves | <input type="checkbox"/> | 24" Upper | 67359 | \$130.00 | |
| Step 4B 24" Upper Right for 74" Tall Cabinet | | | | | |
| Side Panel No Glove Dispenser (w/3 Glass Shelves) | <input checked="" type="checkbox"/> | 24" Upper | 67146 | N/C | |
| Side Panel Glove Dispenser (w/2 Glass Shelves) | <input type="checkbox"/> | 24" Upper | 67264 | N/C | |
| Additional Set of 3 Glass Shelves | <input type="checkbox"/> | 24" Upper | 67359 | \$130.00 | |
| Configure Your 30" Upper - Extended Height | | | | | |
| Step 4A 30" Upper Left for 80" Tall Cabinet | | | | | |
| Side Panel No Glove Dispenser (w/3 Glass Shelves) | <input checked="" type="checkbox"/> | 30" Upper | 67199 | N/C | |
| Side Panel Glove Dispenser (w/2 Glass Shelves) | <input type="checkbox"/> | 30" Upper | 67266 | N/C | |
| Additional Set of 3 Glass Shelves | <input type="checkbox"/> | 30" Upper | 67359 | \$130.00 | |
| Step 4B 30" Upper Right for 80" Tall Cabinet | | | | | |
| Side Panel No Glove Dispenser (w/3 Glass Shelves) | <input checked="" type="checkbox"/> | 30" Upper | 67199 | N/C | |
| Side Panel Glove Dispenser (w/2 Glass Shelves) | <input type="checkbox"/> | 30" Upper | 67266 | N/C | |
| Additional Set of 3 Glass Shelves | <input type="checkbox"/> | 30" Upper | 67359 | \$130.00 | |

Step 5 Configure Your Center - Midsection

| | | | | | |
|---|-------------------------------------|--|--------|----------|--|
| Step 5 Configure Your Center | | | | | |
| 5A Choose Your Center Options | | | | | |
| Glove Dispenser Left | <input type="checkbox"/> | | 67126L | \$70.00 | |
| Glove Dispenser Right | <input type="checkbox"/> | | 67126R | \$70.00 | |
| Ergo Shelf Left | <input type="checkbox"/> | | 67089 | \$360.00 | |
| Ergo Shelf Right | <input type="checkbox"/> | | 67179 | \$360.00 | |
| Static Shelf 34" Wide | <input type="checkbox"/> | | 67254 | \$250.00 | |
| No options | <input checked="" type="checkbox"/> | | | N/C | |
| 5B Configure Your Power Center Size (Comes Standard with Dual 120V Outlets with Access Doors, 2 USB Ports) | | | | | |
| Narrow Power Center (Cannot Have Porter MXR as selection) | <input checked="" type="checkbox"/> | | 69961 | N/C | |
| Wide Power Center (Cannot have Ergo Shelves or Static Shelf) | <input type="checkbox"/> | | 69960 | N/C | |
| 5C Configure Your Narrow Power Station Panel (If 69961 selected) | | | | | |
| Solid Accessory Panel | <input checked="" type="checkbox"/> | | 67495 | N/C | |
| Nitrous Cutout, Accessory Panel (Accutron Ultra PC 36800) | <input type="checkbox"/> | | 67496 | N/C | |
| Nitrous Cutout, Accessory Panel (Accutron Ultra Digital 56800) | <input type="checkbox"/> | | 67497 | N/C | |
| Nitrous Cutout, Accessory Panel (Porter Digital MDM) | <input type="checkbox"/> | | 67584 | N/C | |
| Accessory Panel With 2 Tip Out Bins | <input type="checkbox"/> | | 67194 | \$150.00 | |
| 5C Configure Your Wide Power Station Panel (If 69960 selected) | | | | | |
| Solid Accessory Panel, Dual 120V Outlets with Access Door, 2 USB Outlets | <input checked="" type="checkbox"/> | | 67164 | N/C | |
| Nitrous Cutout, Accessory Panel (Porter MXR) | <input type="checkbox"/> | | 67165 | N/C | |
| Nitrous Cutout, Accessory Panel (Accutron Ultra PC 36800) | <input type="checkbox"/> | | 67167 | N/C | |
| Nitrous Cutout, Accessory Panel (Accutron Ultra Digital PC 56800) | <input type="checkbox"/> | | 67169 | N/C | |
| Nitrous Cutout, Accessory Panel (Porter Digital MDM) | <input type="checkbox"/> | | 67583 | N/C | |
| Accessory Panel with 4 Tip Out Bins | <input type="checkbox"/> | | 67233 | \$175.00 | |



67353R



67354R

Step 6 Configure Your Lower

| | | Part Number | Retail Price | TOTAL |
|---|-------------------------------------|-------------|--------------|-------|
| Step 6A Configure Left Base | | | | |
| Front Access Door Module | <input checked="" type="checkbox"/> | 68700L | N/C | |
| Front Access 3 Full Extension Drawer Module | <input type="checkbox"/> | 67422L | N/C | |
| Front Access 4 Full Extension Drawer Module | <input type="checkbox"/> | 67348L | N/C | |
| Front Access Flip Down Module | <input type="checkbox"/> | 67423L | N/C | |
| Side Access Door Module | <input type="checkbox"/> | 68705L | N/C | |
| Side Access 3 Full Extension Drawer Module | <input type="checkbox"/> | 67424L | N/C | |
| Side Access 4 Full Extension Drawer Module | <input type="checkbox"/> | 67425L | N/C | |
| Side Access 1 Ergo Shelf, 5 Utility Drawers, (Each Utility Drawer Comes STD w/Colored Drawer Organizer System.) See Step 7 for PN details, Includes (2) 67256, (2) 67257, (1) 67258 | <input type="checkbox"/> | 67353L | \$1,100.00 | |
| Side Access 1 Ergo Shelf, 4 Utility Drawers, (Each Utility Drawer Comes STD w/Colored Drawer Organizer System.) See Step 7 for PN details, Includes (2) 67256, (1) 67257, (1) 67258 | <input type="checkbox"/> | 67354L | \$960.00 | |
| Side Access, 1 Ergo Shelf. See Step 7 To Select up to 5 Utility Drawers & Qty of Bins | <input type="checkbox"/> | 67323L | \$510.00 | |
| Side Access, No Ergo Shelf. See Step 7 To Select up to 6 Utility Drawers & Qty of Bins | <input type="checkbox"/> | 67476L | \$150.00 | |
| Step 6B Configure Center Base | | | | |
| Center Module w/Bifold door only & 2 Shelves | <input checked="" type="checkbox"/> | 67420 | N/C | |
| Center Module for Floor-Mounted Delivery | <input type="checkbox"/> | 67157 | N/C | |
| Center Module for Mobile Work Surface Delivery w/Bifold door and 1 shelf | <input type="checkbox"/> | 67439 | N/C | |
| Center Module for Slide Out Delivery/Fixed | <input type="checkbox"/> | 68489 | N/C | |
| Center Module with CPU Vents | <input type="checkbox"/> | 68420 | N/C | |
| Center Module w/Door only & 2 shelves | <input type="checkbox"/> | 68419 | N/C | |

Cabinets will be manufactured with Standard Features if no options are indicated when order is placed. For custom laminate or solid surface colors please contact Customer Service for availability, pricing and lead time.

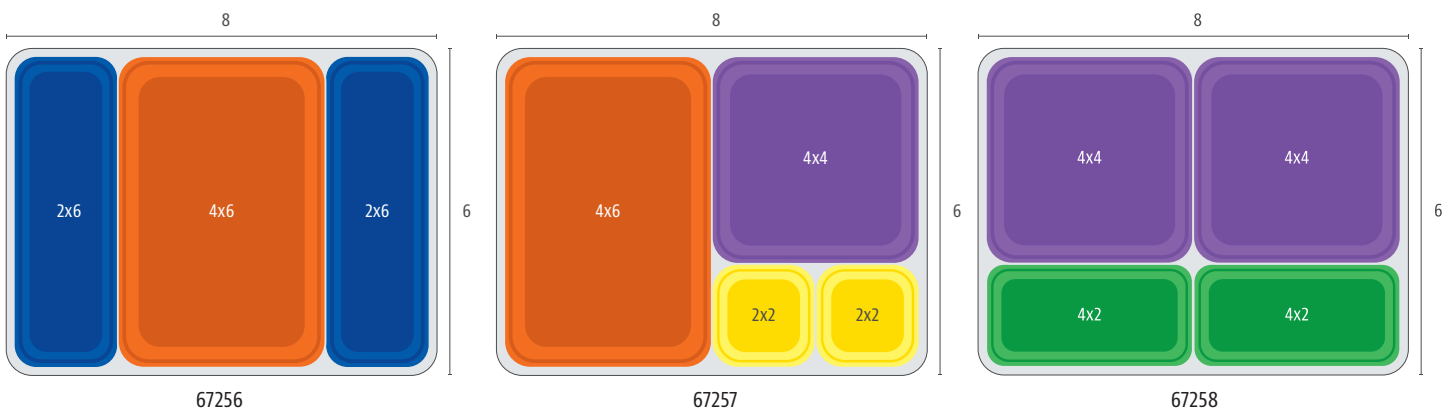
| | Part Number | Retail Price | TOTAL |
|--|--|--------------|-------|
| Step 6C Configure Right Base | | | |
| Front Access Door Module | <input type="checkbox"/> 68700R | N/C | |
| Front Access 3 Full Extension Drawer Module | <input type="checkbox"/> 67422R | N/C | |
| Front Access 4 Full Extension Drawer Module | <input type="checkbox"/> 67348R | N/C | |
| Front Access Flip Down Module | <input type="checkbox"/> 67423R | N/C | |
| Side Access Door Module, Right | <input checked="" type="checkbox"/> 68705R | N/C | |
| Side Access 3 Full Extension Drawer Module, Right | <input type="checkbox"/> 67424R | N/C | |
| Side Access 4 Full Extension Drawer Module, Right | <input type="checkbox"/> 67425R | N/C | |
| Side Access 1 Ergo Shelf, 5 Utility Drawers (Each Utility Drawer Comes STD w/Colored Drawer Organizer System.) See Step 7 for PN details, Includes (2) 67256, (2) 67257, (1) 67258 | <input type="checkbox"/> 67353R | \$1,100.00 | |
| Side Access 1 Ergo Shelf, 4 Utility Drawers (Each Utility Drawer Comes STD w/Colored Drawer Organizer System.) See Step 7 for PN details, Includes (2) 67256, (1) 67257, (1) 67258 | <input type="checkbox"/> 67354R | \$960.00 | |
| Side Access, 1 Ergo Shelf. See Step 7 To Select up to 5 Utility Drawers & Qty of Bins | <input type="checkbox"/> 67323R | \$510.00 | |
| Side Access, No Ergo Shelf. See Step 7 To Select up to 6 Utility Drawers & Qty of Bins | <input type="checkbox"/> 67476R | \$150.00 | |

Step 7 Choose Your Custom Organizational Accessories

| | Part Number | QTY | Retail Price | TOTAL |
|--|-------------|-----|--------------|-------|
| 1 Utility Drawer Only | 67090 | | \$44.00 | |
| Colored Drawer Organizers and Bin Container, 2 Blue 2 X 6, 1 Orange 4 X 6, 1 Clear Container 6 X 8 | 67256 | | \$70.00 | |
| Colored Drawer Organizers and Bin Container, 1 Orange 4 X 6, 1 Purple 4 X 4, 2 Yellow 2 X 2, 1 Clear Container 6 X 8 | 67257 | | \$70.00 | |
| Colored Drawer Organizers and Bin Container, 2 Purple 4 X 4, 2 Green 2 X 4, 1 Clear Container 6 X 8 | 67258 | | \$70.00 | |
| Bin Container for Colored Drawer Organizers, 6 x 8, Clear | 67087 | | \$25.00 | |
| Colored Drawer Organizer, 2 x 2, Yellow | 67116 | | \$6.00 | |
| Colored Drawer Organizer, 2 x 4, Green | 67117 | | \$8.00 | |
| Colored Drawer Organizer, 2 x 6, Blue | 67118 | | \$10.00 | |
| Colored Drawer Organizer, 4 x 4, Purple | 67119 | | \$10.00 | |
| Colored Drawer Organizer, 4 x 6, Orange | 67120 | | \$12.00 | |

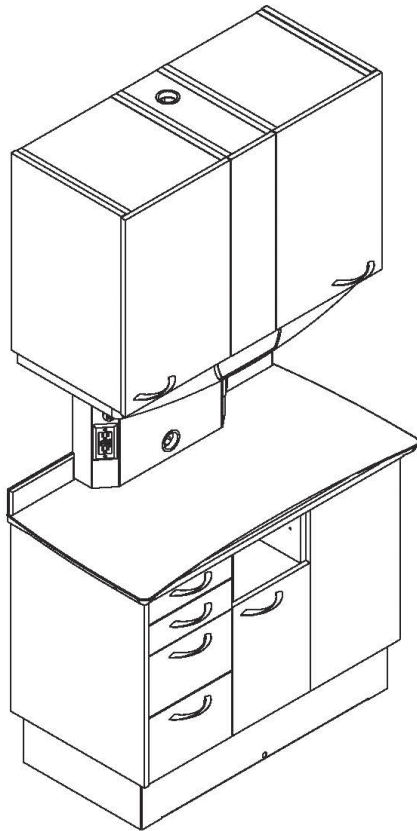
Step 8 Choose Additional Cabinet Options

| | | | | |
|-------------------------------------|--------------------------|----------|------------|--|
| Monitor Mount, Standard Top Mounted | <input type="checkbox"/> | 67369 | \$1,000.00 | |
| Monitor Mount, Extended Top Mounted | <input type="checkbox"/> | 67370 | \$1,000.00 | |
| Add Lead Lining, 12 o'clock | <input type="checkbox"/> | 68551-CR | \$2,140.00 | |

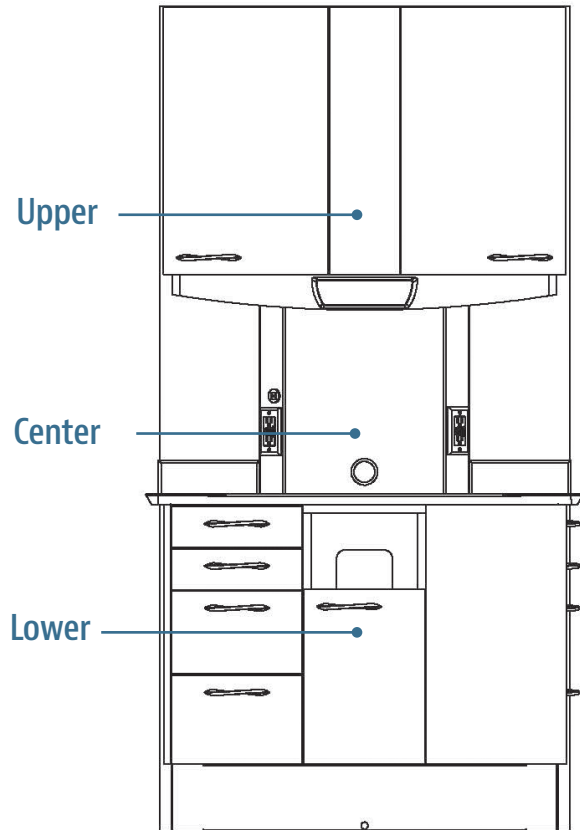


Series 5

36" Wall Mounted 12 o'clock Cabinet



All Models include Soft Close Doors & Drawers



S - Standard Features - Select Your Option

| | | Part Number | Retail Price | TOTAL |
|---|--------------------------|-------------|--------------|-------|
| Step 1 Select Your Cabinet | | | | |
| 36" Series 5 12 o'clock Cabinet, Wall Mounted | <input type="checkbox"/> | CR5300 | \$7,980.00 | |
| 36" Series 5 12 o'clock Cabinet, Wall Mounted with Decorative Back Panel | <input type="checkbox"/> | CR5302 | \$8,600.00 | |
| 36" Series 5 12 o'clock Cabinet, Lower Only | <input type="checkbox"/> | CR5301 | \$4,480.00 | |
| 36" Series 5 12 o'clock Cabinet, Upper Only | <input type="checkbox"/> | CR5320 | \$3,750.00 | |
| Decorative Back Panel for 36" Wall Mounted Cabinet, Lower Only (Required for any side drawer lower module) | <input type="checkbox"/> | 68964 | \$390.00 | |
| Step 2 Select Your Upper Section | | | | |
| 24" Upper for 74" Tall Cabinet | <input type="checkbox"/> | 69751 | Included | |
| 30" Upper for 80" Tall Cabinet | <input type="checkbox"/> | 69752 | \$410.00 | |
| Step 3 Select Your Cabinet Colors (See colors dciedge.com/request-samples) | | | | |
| Wilsonart Laminate for Vertical Surfaces | <input type="checkbox"/> | | Included | |
| Wilsonart Solid Surface Countertop | <input type="checkbox"/> | | Included | |

For custom laminate or solid surface colors please contact Customer Service for availability, pricing and lead time.
For 12 o'clock Cabinet Sliding Monitor Mounts, we suggest ICW Ultra 500i. Order at www.icwusa.com

Step 3 Configure Your Upper

| | | Height | Part Number | Retail Price | TOTAL |
|--|----------------------------|-----------|-------------|--------------|-------|
| Step 3A Configure Left Upper | | | | | |
| 3 Glass Shelves (no Glove Dispenser) | <input type="checkbox"/> S | 24" Upper | 68264L | N/C | |
| | <input type="checkbox"/> S | 30" Upper | 69735L | N/C | |
| Front Door Glove Dispenser (w/2 glass shelves) | <input type="checkbox"/> | 24" Upper | 68951 | N/C | |
| | <input type="checkbox"/> | 30" Upper | 69736 | N/C | |
| Additional set of 3 Glass Shelves | <input type="checkbox"/> | | 68953L | \$140.00 | |

| | | | | | |
|--|----------------------------|-----------|--------|----------|--|
| Step 3B Configure Right Upper | | | | | |
| 3 Glass Shelves (no Glove Dispenser) | <input type="checkbox"/> S | 24" Upper | 68264R | N/C | |
| | <input type="checkbox"/> S | 30" Upper | 69735R | N/C | |
| Front Door Glove Dispenser (w/2 glass shelves) | <input type="checkbox"/> | 24" Upper | 68952 | N/C | |
| | <input type="checkbox"/> | 30" Upper | 69738 | N/C | |
| Additional set of 3 Glass Shelves | <input type="checkbox"/> | | 68953R | \$140.00 | |

| | | | | | |
|-----------------------------|--------------------------|--|----------|------------|--|
| Lead Lining | | | | | |
| Add Lead Lining, 12 o'clock | <input type="checkbox"/> | | 68551-CR | \$2,140.00 | |

Step 4 Configure Your Center

| | | | | | |
|---|----------------------------|--|----------|-----|--|
| Dual 120V GFI Outlets with 2 USB Connections | <input type="checkbox"/> S | | Included | N/C | |
| Series 5 Center Chase | <input type="checkbox"/> S | | 68260 | N/C | |
| Delete Series 5 Center Chase | <input type="checkbox"/> | | 68421 | N/C | |
| Series 5 Center Chase for Porter MXR | <input type="checkbox"/> | | 68261 | N/C | |
| Series 5 Center Chase for Accutron Digital Ultra PC 56800 | <input type="checkbox"/> | | 68262 | N/C | |
| Series 5 Center Chase for Accutron Ultra PC 36800 | <input type="checkbox"/> | | 68263 | N/C | |
| Series 5 Center Chase for Porter MDM | <input type="checkbox"/> | | 69990 | N/C | |

Step 5 Configure Your Lower

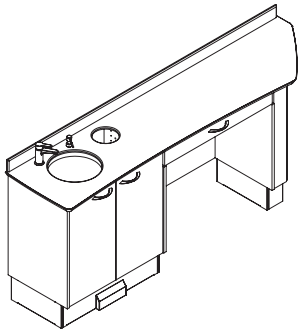
| | | | Part Number | Retail Price | TOTAL |
|--|--------------------------|--|-------------|--------------|-------|
| Step 5A Configure Left Base | | | | | |
| Front Access Door Module | <input type="checkbox"/> | | 68700L | N/C | |
| Front Access 3 Drawer Module | <input type="checkbox"/> | | 68701L | N/C | |
| Front Access 4 Drawer Module | <input type="checkbox"/> | | 68702L | N/C | |
| Front Access Flip Down Module | <input type="checkbox"/> | | 68704L | N/C | |
| Side Access Door Module | <input type="checkbox"/> | | 68705L | N/C | |
| Side Access 3 Drawer Module* | <input type="checkbox"/> | | 68706L | N/C | |
| Side Access 4 Drawer Module* | <input type="checkbox"/> | | 68707L | N/C | |
| Step 5B Configure Middle Base | | | | | |
| Center Module for Mobile Delivery | <input type="checkbox"/> | | 68418 | N/C | |
| Center Module for Slide Out /Fixed Delivery | <input type="checkbox"/> | | 68489 | N/C | |
| Center Module for Floor-Mounted Delivery w/Bifold Door | <input type="checkbox"/> | | 67157 | N/C | |
| Center Module for Door Only | <input type="checkbox"/> | | 68419 | N/C | |
| Center Module for CPU | <input type="checkbox"/> | | 68420 | N/C | |
| Step 5C Configure Right Base | | | | | |
| Front Access Door Module | <input type="checkbox"/> | | 68700R | N/C | |
| Front Access 3 Drawer Module | <input type="checkbox"/> | | 68701R | N/C | |
| Front Access 4 Drawer Module | <input type="checkbox"/> | | 68702R | N/C | |
| Front Access Flip Down Module | <input type="checkbox"/> | | 68704R | N/C | |
| Side Access Door Module | <input type="checkbox"/> | | 68705R | N/C | |
| Side Access 3 Drawer Module* | <input type="checkbox"/> | | 68706R | N/C | |
| Side Access 4 Drawer Module* | <input type="checkbox"/> | | 68707R | N/C | |

Cabinets will be manufactured with Standard Features if no options are indicated when order is placed.

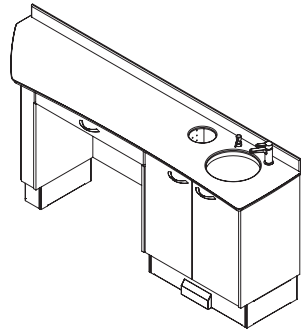
* All side access drawer lower modules require 68964 back panel

Series 5

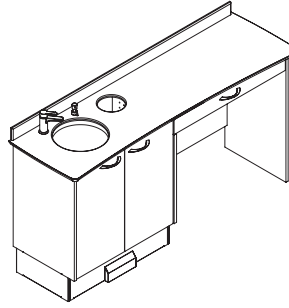
32" Tall, 17" Deep Side Cabinets



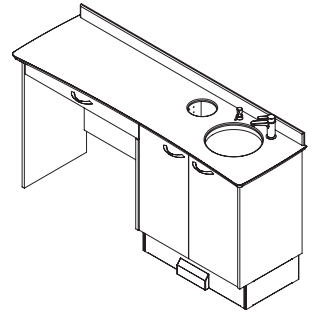
CD5003



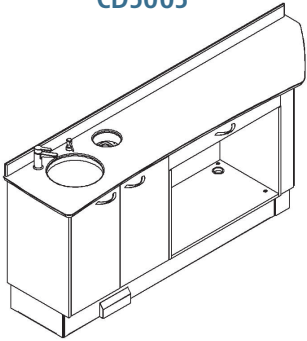
CD5002



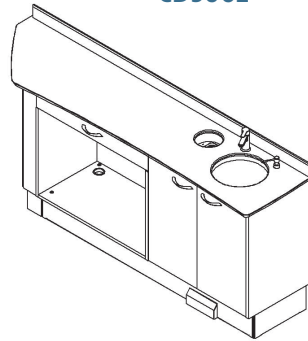
CD5001



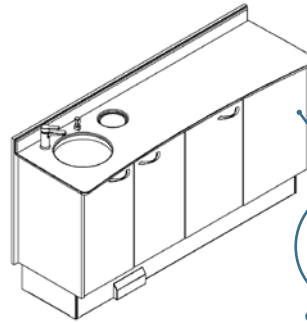
CD5000



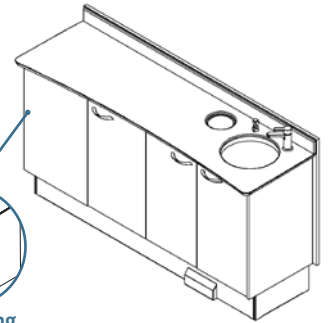
CD5005



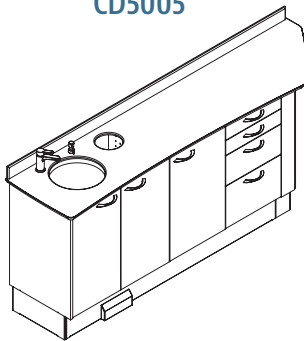
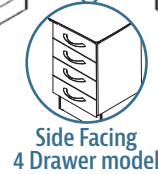
CD5004



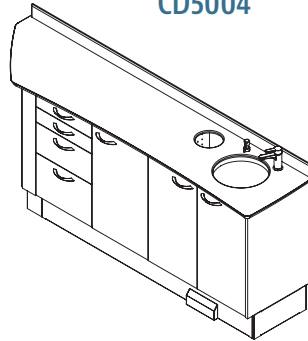
CA5005



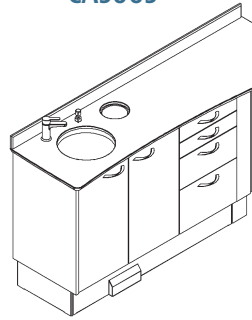
CA5004



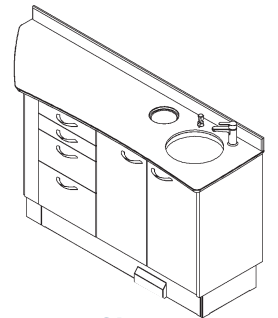
CA5003



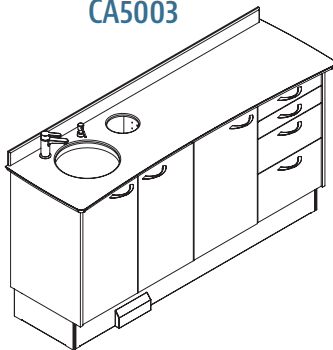
CA5002



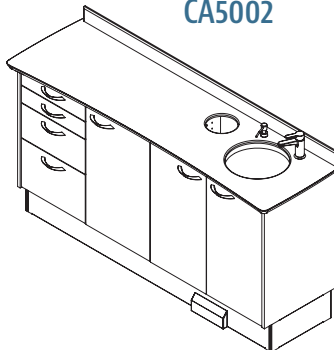
CA5007



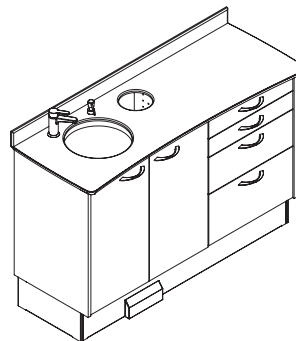
CA5006



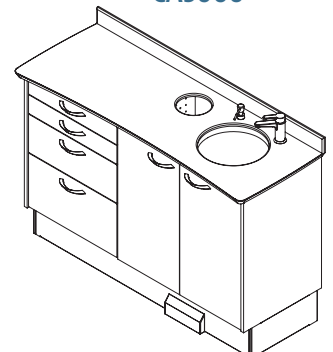
CA5001



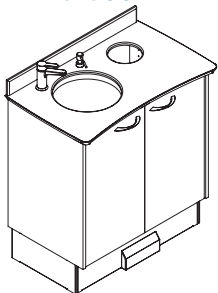
CA5000



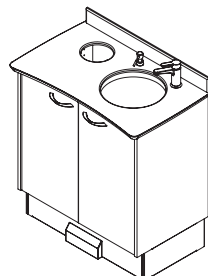
CA5009



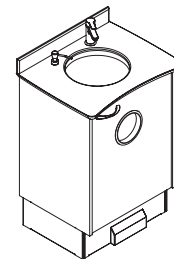
CA5008



CA5011



CA5010



CA5012

S - Standard Features - Select Your Option

| Part Number | Retail Price | TOTAL |
|-------------|--------------|-------|
|-------------|--------------|-------|

Step 1 Select Your Side Cabinet Model

| | | | | | |
|--|--------------------------|-------------|--------|------------|--|
| Series 5 80" Side Delivery Cabinet, 32" Tall, 32" Pencil Drawer, 28" Sink 45° Corner Storage | <input type="checkbox"/> | Sink Right | CD5002 | \$5,280.00 | |
| | <input type="checkbox"/> | Sink Left | CD5003 | \$5,280.00 | |
| Series 5 64" Side Delivery Cabinet, 32" Tall, 32" Pencil Drawer, 28" Sink | <input type="checkbox"/> | Sink Right | CD5000 | \$4,160.00 | |
| | <input type="checkbox"/> | Sink Left | CD5001 | \$4,160.00 | |
| Series 5 80" Side Delivery Cab, 32" Tall, 32" Pencil Drawer w/Bottom Panel, 28", 45 Corner | <input type="checkbox"/> | Sink Right | CD5004 | \$5,480.00 | |
| | <input type="checkbox"/> | Sink Left | CD5005 | \$5,480.00 | |
| Series 5 80" Side Storage Cabinet, 32" Tall, 16" Front Access Drawer (2.5", 2.5", 5.5", 7.5"), 16" Door, 28" Sink, 45° Corner Storage | <input type="checkbox"/> | Sink Right | CA5002 | \$5,510.00 | |
| | <input type="checkbox"/> | Sink Left | CA5003 | \$5,510.00 | |
| Series 5 64" Side Storage Cabinet, 32" Tall, 16" Side Access Drawer (2.5", 2.5", 5.5", 7.5"), 16" Door, 28" Sink, Back Panel | <input type="checkbox"/> | Sink Right | CA5004 | \$5,870.00 | |
| | <input type="checkbox"/> | Sink Left | CA5005 | \$5,870.00 | |
| Series 5 64" Side Storage Cabinet, 32" Tall, 16" Front Access Drawer (2.5", 2.5", 5.5", 7.5"), 16" Door, 28" Sink | <input type="checkbox"/> | Sink Right | CA5000 | \$5,280.00 | |
| | <input type="checkbox"/> | Sink Left | CA5001 | \$5,280.00 | |
| Series 5 64" Side Storage Cabinet, 32" Tall, 16" Front Access Drawer, 28" Sink, 45° Corner Storage | <input type="checkbox"/> | Sink Right | CA5006 | \$4,710.00 | |
| | <input type="checkbox"/> | Sink Left | CA5007 | \$4,710.00 | |
| Series 5 52" Side Storage Cabinet, 32" Tall, 20" Front Access Drawer (2.5", 2.5", 5.5", 7.5"), 28" Sink | <input type="checkbox"/> | Sink Right | CA5008 | \$4,710.00 | |
| | <input type="checkbox"/> | Sink Left | CA5009 | \$4,710.00 | |
| Series 5 32" Side Storage Cabinet, 32" Tall, Sink | <input type="checkbox"/> | Sink Right | CA5010 | \$3,150.00 | |
| | <input type="checkbox"/> | Sink Left | CA5011 | \$3,150.00 | |
| Series 5 24" Side Storage Cabinet, 32" Tall, Sink | <input type="checkbox"/> | Sink Center | CA5012 | \$2,820.00 | |

Step 2 Select Your Cabinet Colors (See colors dciedge.com/request-samples)

| | | | |
|--|--------------------------|--|-----|
| Wilsonart Laminate for Vertical Surfaces | <input type="checkbox"/> | | N/C |
| Wilsonart Solid Surface Countertop Selection | <input type="checkbox"/> | | N/C |

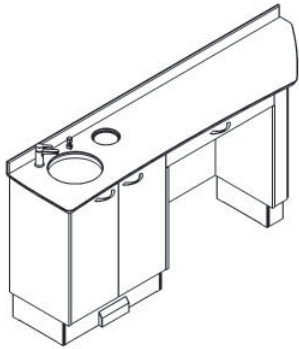
For custom laminate or solid surface colors please contact Customer Service for availability, pricing and lead times

Step 3 Configure Your Side Cabinet

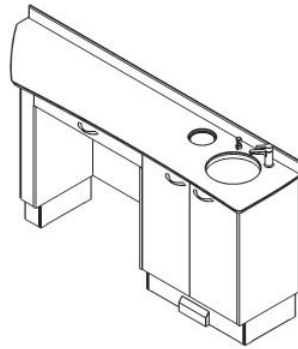
| | | | |
|--------------------------|--|-------|-----------|
| S | Solid Surface Counter Top | | N/C |
| S | Under Counter Mounted Stainless Steel Sink | | N/C |
| S | Chrome Faucet & Soap Dispenser | | N/C |
| S | Structural Powder Coated Steel Sub Base | | N/C |
| S | Soft Close Drawers and Doors | | N/C |
| S | Stainless Waste Drop with Trash Bin | | N/C |
| S | Tapmaster Handsfree Faucet Control | | N/C |
| <input type="checkbox"/> | Undermount Sharps and Waste Drop (in lieu of Stainless Waste Drop and Trash Bin) | 68422 | N/C |
| <input type="checkbox"/> | Add Sanitizer Wipe Holder | 6822 | \$30.00 |
| <input type="checkbox"/> | Delete Tapmaster Handsfree Faucet Control | 68955 | \$-250.00 |
| <input type="checkbox"/> | Delete Sink | 68956 | \$-70.00 |
| <input type="checkbox"/> | Delete Faucet | 68957 | \$-50.00 |
| <input type="checkbox"/> | Delete Soap Dispenser | 68958 | \$-20.00 |
| <input type="checkbox"/> | Delete Stainless Waste Drop, Trash Bin and Cutout | 68959 | \$-40.00 |
| <input type="checkbox"/> | Delete Trash Cutout for CA5012 only | 69000 | N/C |

Cabinets will be manufactured with Standard Features if no options are indicated when order is placed.

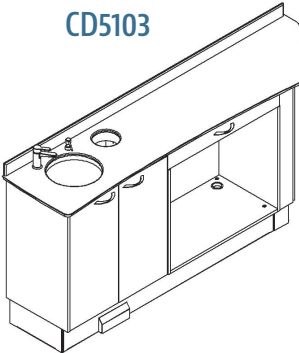
Series 5 36" Tall, 17" Deep Side Cabinets



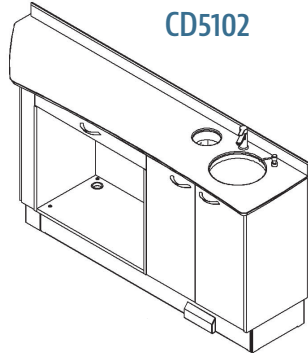
CD5103



CD5102



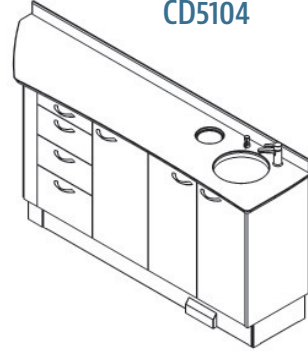
CD5105



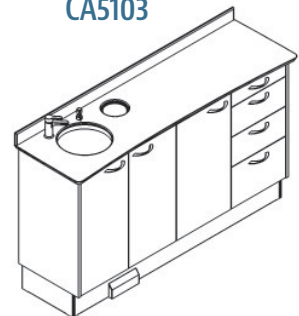
CD5104



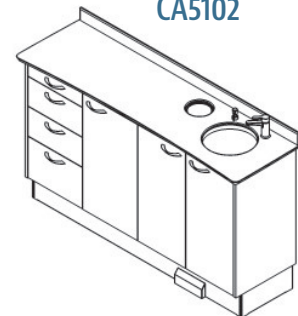
CA5103



CA5102



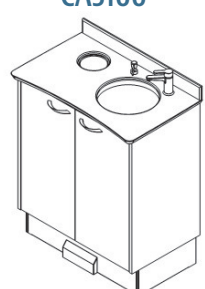
CA5101



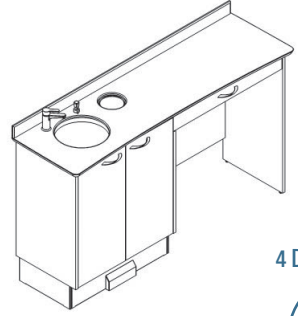
CA5100



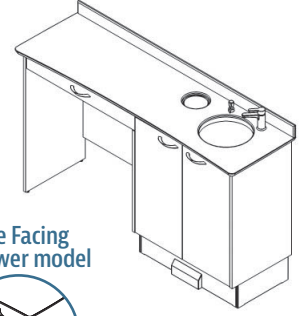
CA5111



CA5110

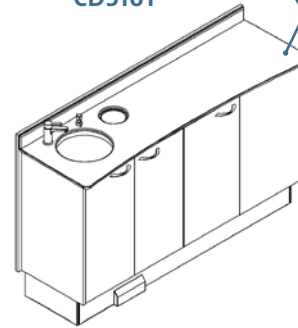


CD5101

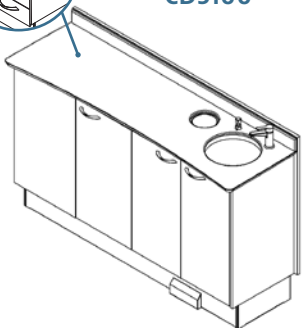


CD5100

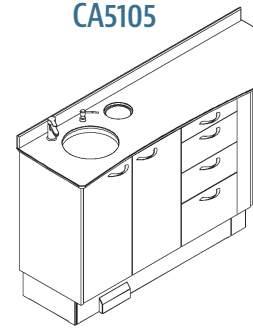
Side Facing
4 Drawer model



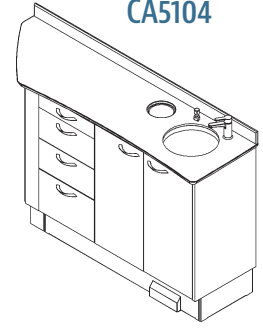
CA5105



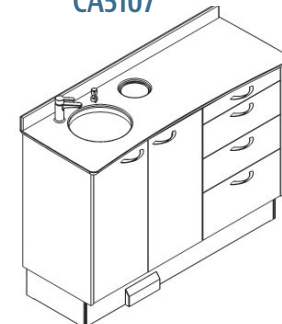
CA5104



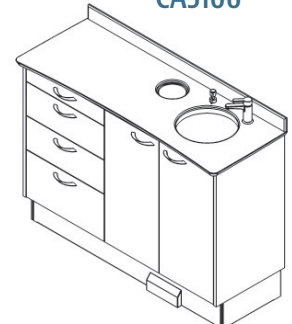
CA5107



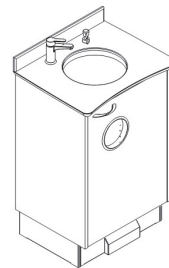
CA5106



CA5109



CA5108



CA5112

S - Standard Features - Select Your Option

| Part Number | Retail Price | TOTAL |
|-------------|--------------|-------|
|-------------|--------------|-------|

Step 1 Select Your Side Cabinet Model

| | | | | | |
|--|--------------------------|-------------|--------|------------|--|
| Series 5 80" Side Delivery Cabinet, 36" Tall, 32" Pencil Drawer, 28" Sink, 45° Corner Storage | <input type="checkbox"/> | Sink Right | CD5102 | \$5,540.00 | |
| | <input type="checkbox"/> | Sink Left | CD5103 | \$5,540.00 | |
| Series 5 64" Side Delivery Cabinet, 36" Tall, 32" Pencil Drawer, 28" Sink | <input type="checkbox"/> | Sink Right | CD5100 | \$4,340.00 | |
| | <input type="checkbox"/> | Sink Left | CD5101 | \$4,340.00 | |
| Series 5 80" Side Delivery Cab, 36" Tall, 32" Pencil Drawer w/Bottom Panel, 28" Sink Right, 45 Corner | <input type="checkbox"/> | Sink Right | CD5104 | \$5,750.00 | |
| | <input type="checkbox"/> | Sink Left | CD5105 | \$5,750.00 | |
| Series 5 80" Side Storage Cabinet, 36" Tall, 16" Front Access Drawer, 16" Door, 28" Sink, 45 Corner | <input type="checkbox"/> | Sink Right | CA5102 | \$5,850.00 | |
| | <input type="checkbox"/> | Sink Left | CA5103 | \$5,850.00 | |
| Series 5 64" Side Storage Cabinet, 36" Tall, 16" Side Access Drawer (2.5", 2.5", 5.5", 7.5"), 16" Door, 28" Sink, Back Panel | <input type="checkbox"/> | Sink Right | CA5104 | \$6,130.00 | |
| | <input type="checkbox"/> | Sink Left | CA5105 | \$6,130.00 | |
| Series 5 64" Side Storage Cabinet, 36" Tall, 16" Front Access Drawer, 28" Sink, 45° Corner Storage | <input type="checkbox"/> | Sink Right | CA5106 | \$4,940.00 | |
| | <input type="checkbox"/> | Sink Left | CA5107 | \$4,940.00 | |
| Series 5 64" Side Storage Cabinet, 36" Tall, 16" Front Access Drawer (2.5", 2.5", 5.5", 7.5"), 16" Door, 28" Sink | <input type="checkbox"/> | Sink Right | CA5100 | \$5,540.00 | |
| | <input type="checkbox"/> | Sink Left | CA5101 | \$5,540.00 | |
| Series 5 52" Side Storage Cabinet, 36" Tall, 20" Front Access Drawer (2.5", 2.5", 5.5", 7.5"), 28" Sink | <input type="checkbox"/> | Sink Right | CA5108 | \$4,900.00 | |
| | <input type="checkbox"/> | Sink Left | CA5109 | \$4,900.00 | |
| Series 5 36" Tall, 32" Side Storage Cabinet, Sink | <input type="checkbox"/> | Sink Right | CA5110 | \$3,240.00 | |
| | <input type="checkbox"/> | Sink Left | CA5111 | \$3,240.00 | |
| Series 5 36" Tall, 24" Side Storage Cabinet, Sink | <input type="checkbox"/> | Sink Center | CA5112 | \$2,900.00 | |

Step 2 Select Your Cabinet Colors (See colors @dciedge.com/request-samples)

| | | | |
|--|--------------------------|--|-----|
| Wilsonart Laminate for Vertical Surface | <input type="checkbox"/> | | N/C |
| Wilsonart Solid Surface Countertop Selection | <input type="checkbox"/> | | N/C |

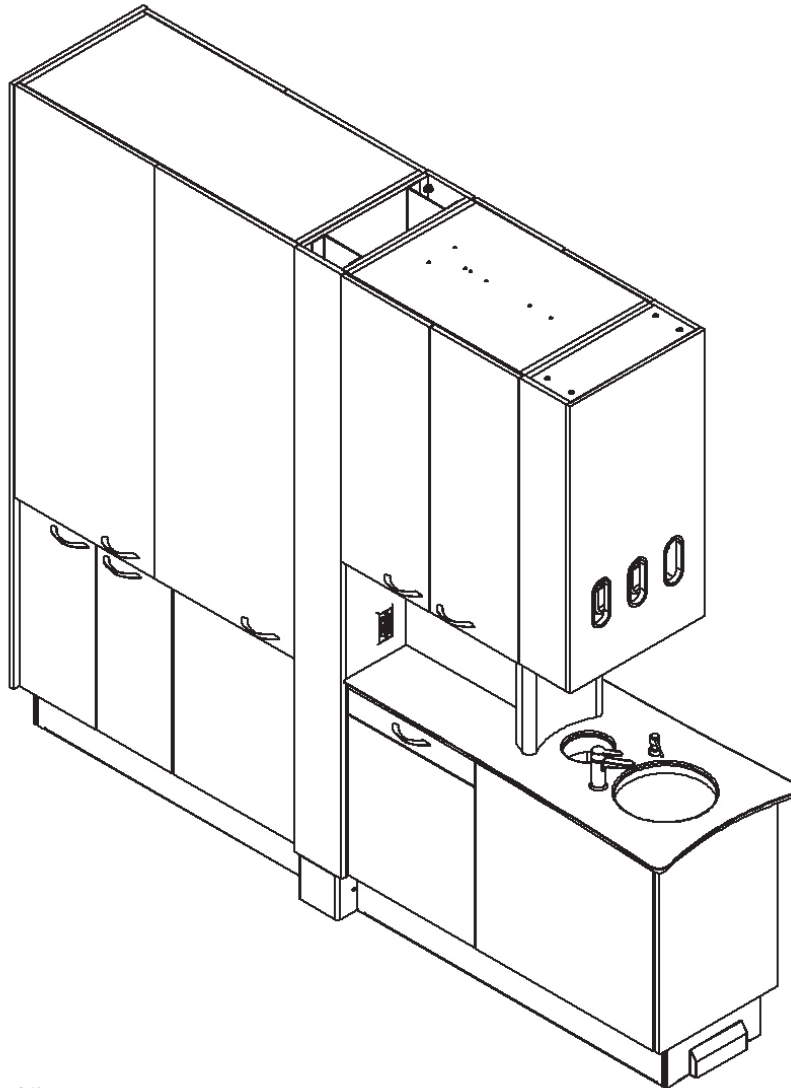
For custom laminate or solid surface colors please contact Customer Service for availability, pricing and lead times

Step 3 Configure Your Side Cabinet

| | | | |
|--------------------------|--|-------|-----------|
| S | Solid Surface Counter Top | | N/C |
| S | Under Counter Mounted Stainless Steel Sink | | N/C |
| S | Chrome Faucet & Soap Dispenser | | N/C |
| S | Structural Powder Coated Steel Sub Base | | N/C |
| S | Soft Close Drawers and Doors | | N/C |
| S | Stainless Waste Drop with Trash Bin | | N/C |
| S | Tapmaster Handsfree Faucet Control | | N/C |
| <input type="checkbox"/> | Undermount Sharps and Waste Drop (in lieu of Stainless Waste Drop and Trash Bin) | 68422 | N/C |
| <input type="checkbox"/> | Add Sanitizer Wipe Holder | 6822 | \$30.00 |
| <input type="checkbox"/> | Delete Tapmaster Handsfree Faucet Control | 68955 | \$-250.00 |
| <input type="checkbox"/> | Delete Sink | 68956 | \$-70.00 |
| <input type="checkbox"/> | Delete Faucet | 68957 | \$-50.00 |
| <input type="checkbox"/> | Delete Soap Dispenser | 68958 | \$-20.00 |
| <input type="checkbox"/> | Delete Stainless Waste Drop, Trash Bin and Cutout | 68959 | \$-40.00 |
| <input type="checkbox"/> | Delete Trash Cutout for CA5112 only | 69000 | N/C |

Cabinets will be manufactured with Standard Features if no options are indicated when order is placed.

Series 5 88" Center Island



*All Models include Soft Close Doors and Drawers

S - Standard Features - Select Your Option

| | | Part Number | Retail Price | TOTAL |
|---|--------------------------|-------------|--------------|-------|
| Step 1 Select Your Cabinet | | | | |
| Series 5 Center Island X-ray Concealment Doors on Upper, Storage Lower | <input type="checkbox"/> | CI5000 | \$17,530.00 | |
| Series 5 Center Island X-ray Concealment Doors on Upper, Delivery Lower | <input type="checkbox"/> | CI5001 | \$16,970.00 | |
| Series 5 Center Island Storage Upper, Storage Lower | <input type="checkbox"/> | CI5002 | \$18,660.00 | |
| Series 5 Center Island Storage Upper, Delivery Lower | <input type="checkbox"/> | CI5003 | \$18,100.00 | |
| Series 5 Center Island Front Section Only | <input type="checkbox"/> | CI5004 | \$10,190.00 | |

Step 2 Select Your Cabinet Colors (See colors dciedge.com/request-samples)

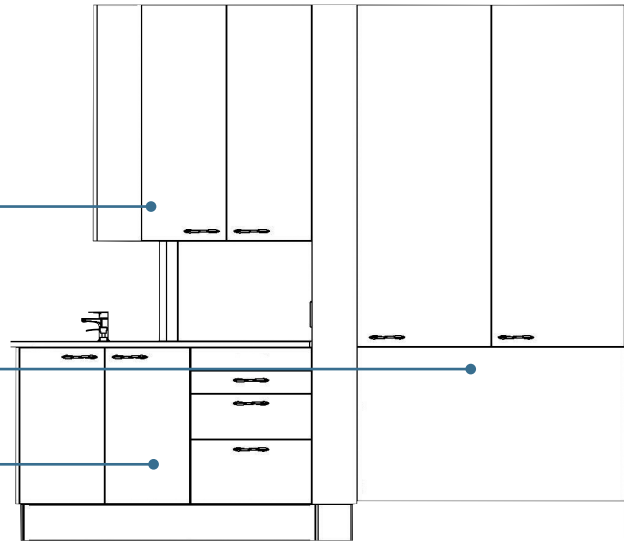
| | | | | |
|--|--------------------------|--|----------|--|
| Wilsonart Laminate for Vertical Surfaces | <input type="checkbox"/> | | Included | |
| Wilsonart Solid Surface Countertop | <input type="checkbox"/> | | Included | |

For custom laminate or solid surface colors please contact Customer Service for availability, pricing and lead times

Step 1 Select Your Center Island

Step 3 Configure Your Delivery Options

Step 4 Configure Your Center Island



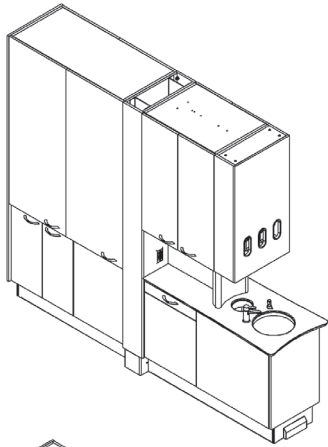
| | | Part Number | Retail Price | TOTAL |
|--|--------------------------|-------------|--------------|-------|
| Step 3 Configure Your Delivery | | | | |
| Module for Left Delivery (available for CI5001 and CI5003 only) | <input type="checkbox"/> | 68579 | N/C | |
| Module for Right Delivery (available for CI5001 and CI5003 only) | <input type="checkbox"/> | 68578 | N/C | |

| Step 4 Configure Your Center Island | | | | |
|--|--|----------|------------|-----|
| S | Stainless Steel Backsplash | | | N/C |
| S | Contoured Countertop | | | N/C |
| S | Glove, Cup and Towel Dispenser | | | N/C |
| S | Solid Surface Counter Top | | | N/C |
| S | Under Counter Mounted Stainless Steel Sink | | | N/C |
| S | Chrome Faucet & Soap Dispenser | | | N/C |
| S | Structural Powder Coated Steel Sub Base | | | N/C |
| S | Soft Close Drawers and Doors | | | N/C |
| S | Stainless Waste Drop with Trash Bin | | | N/C |
| S | Tapmaster Handsfree Faucet Control | | | N/C |
| S | 3 120V GFI Outlets | | | N/C |
| <input type="checkbox"/> | Undermount Sharps and Waste Drop (in lieu of Stainless Waste Drop and Trash Bin) | 68422 | | N/C |
| <input type="checkbox"/> | Add Lead Lining | 68551-CI | \$2,700.00 | |
| <input type="checkbox"/> | Delete Tapmaster Handsfree Faucet Control | 68955 | -\$250.00 | |
| <input type="checkbox"/> | Delete Sink | 68956 | -\$70.00 | |
| <input type="checkbox"/> | Delete Faucet | 68957 | -\$50.00 | |
| <input type="checkbox"/> | Delete Soap Dispenser | 68958 | -\$20.00 | |
| <input type="checkbox"/> | Delete Stainless Waste Drop, Trash Bin and Cutout | 68959 | -\$40.00 | |

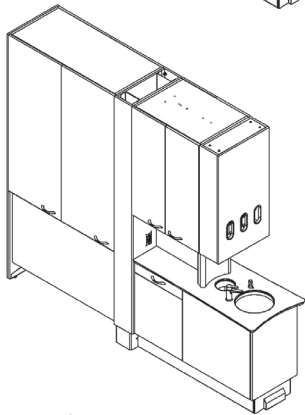
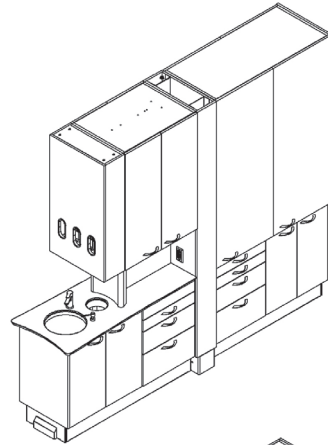
| Step 5 Add a Light | | | | |
|------------------------------------|--------------------------|--------|-------|------------|
| Cabinet Mount Series 4 Light, 115V | <input type="checkbox"/> | LX4000 | White | \$4,640.00 |
| | <input type="checkbox"/> | LX4050 | Gray | \$4,640.00 |
| Cabinet Mount Series 5 Light, 115V | <input type="checkbox"/> | LX5000 | White | \$5,310.00 |
| | <input type="checkbox"/> | LX5050 | Gray | \$5,310.00 |

Cabinets will be manufactured with Standard Features if no options are indicated when order is placed.

Series 5 Center Island Cabinets

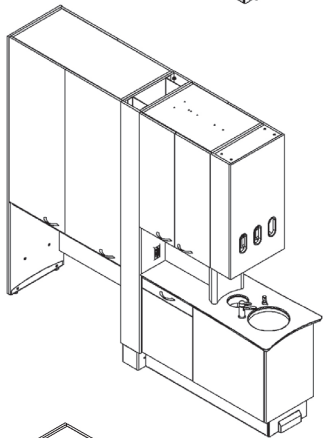
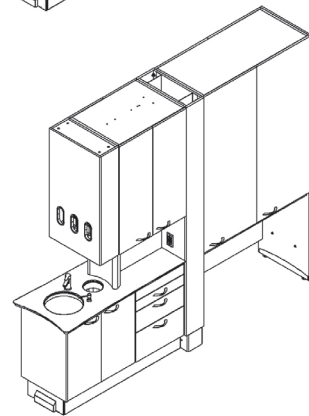


CI5000



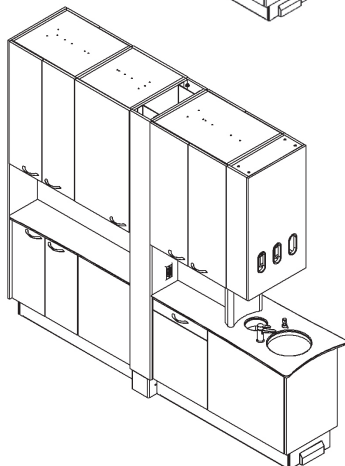
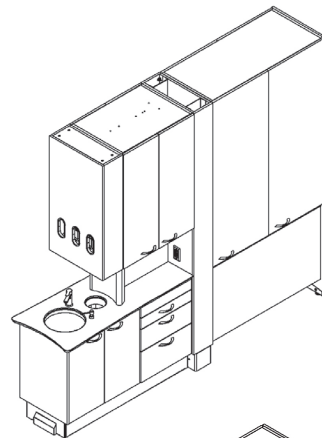
CI5001

Left Delivery
(PN 68579)

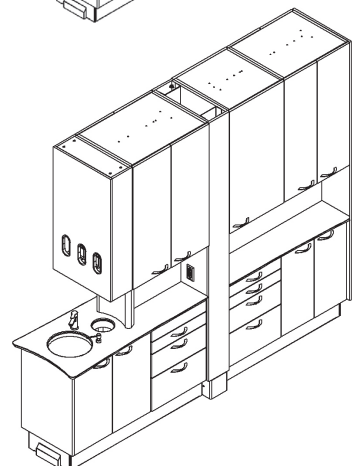


CI5001

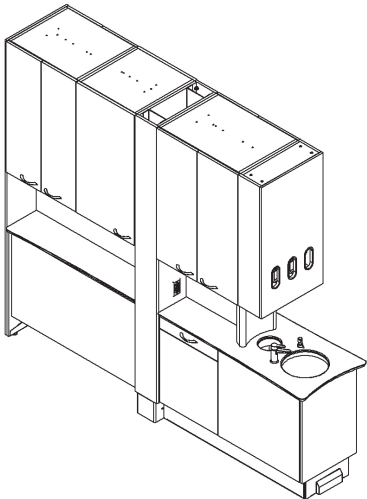
Right Delivery
(PN 68578)



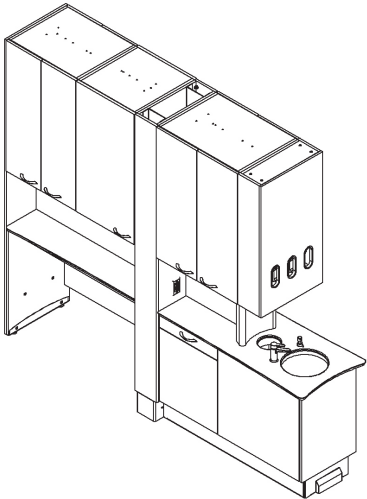
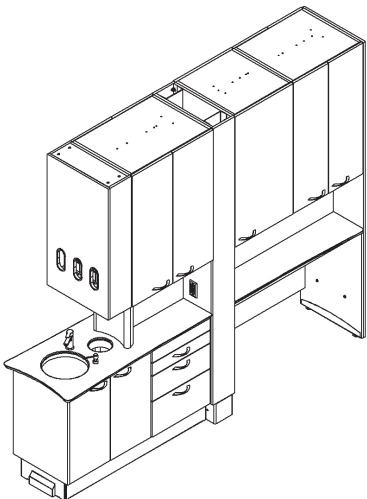
CI5002
Storage Cabinet



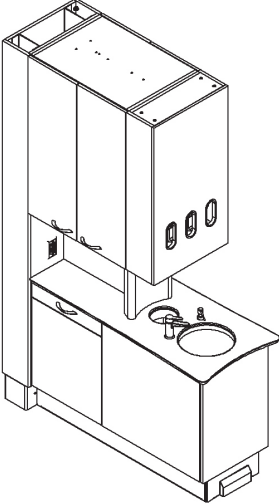
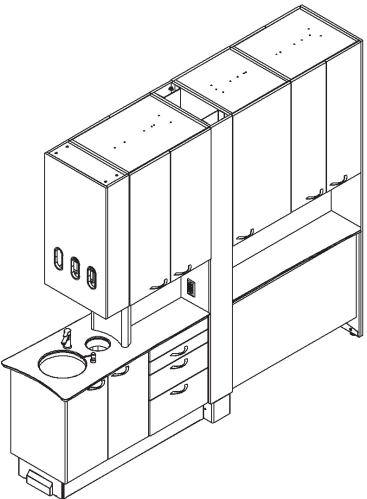
Series 5 Center Island Cabinets



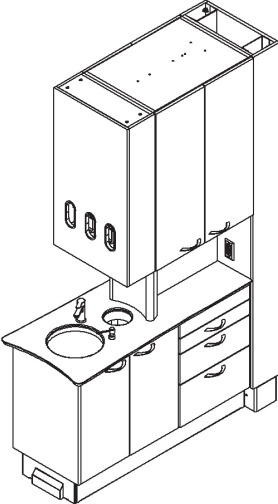
CI5003
Left Delivery
(PN 68579)



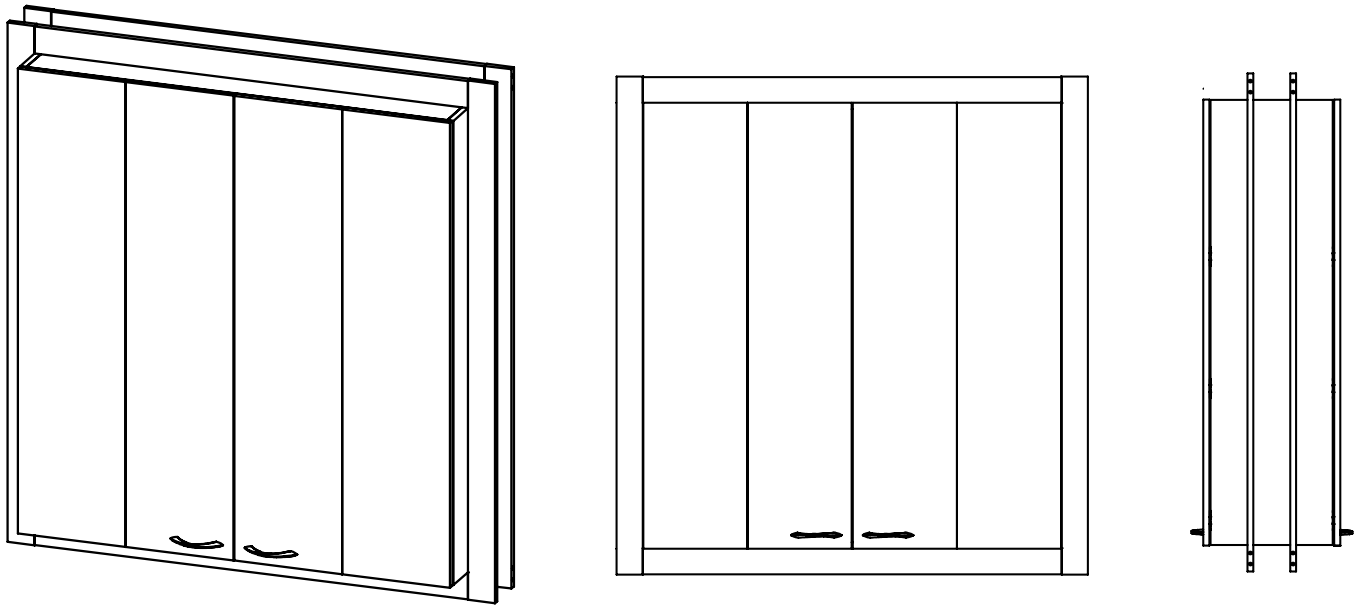
CI5003
Right Delivery
(PN 68578)



CI5004



X-Ray Pass-Through Cabinet



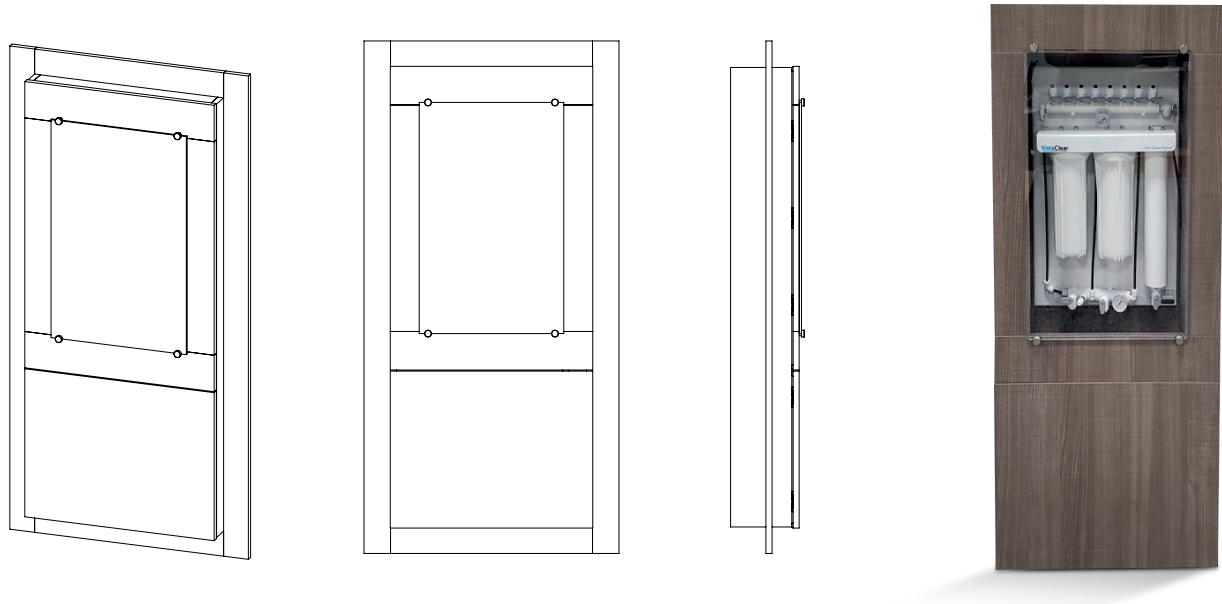
CX48
X-Ray Pass-Through Cabinet

S - Standard Features - Select Your Option

| | | Part Number | Retail Price | TOTAL |
|---|--------------------------|-------------|--------------|-------|
| Step 1 Select Your Cabinet | | | | |
| X-Ray Pass-Through Cabinet | <input type="checkbox"/> | CX48 | \$3,110.00 | |
| Step 2 Configure Your X-Ray Pass-Through Cabinet | | | | |
| Add Lead Lining, X-Ray Pass-Through | <input type="checkbox"/> | 68551-CX | \$2,700.00 | |
| Step 3 Select Your Cabinet Colors (See colors @ dciedge.com/request-samples) | | | | |
| Wilsonart Laminate for Vertical Surfaces | <input type="checkbox"/> | | Included | |

For custom laminate colors please contact Customer Service for availability, pricing and lead time.

Vista Clear™ Cabinet



Wall mounted cabinet to display the Vista Clear™ Centralized Waterline Treatment System.

S - Standard Features - Select Your Option

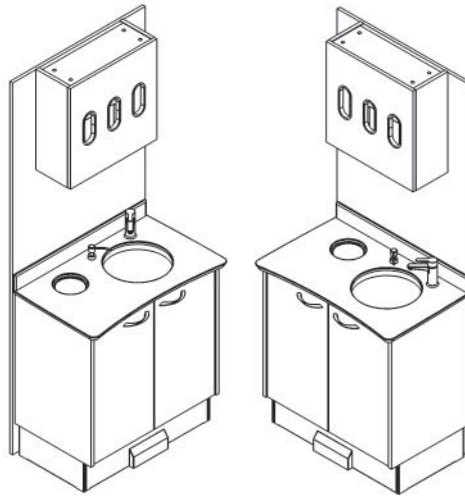
| | Part Number | Retail Price | TOTAL |
|-----------------------------------|-------------|--------------|-------|
| Step 1 Select Your Cabinet | | | |
| Vista Clear Cabinet | 69906 | \$1,320.00 | |

Step 2 Select Your Cabinet Colors (See colors dciedge.com/request-samples)

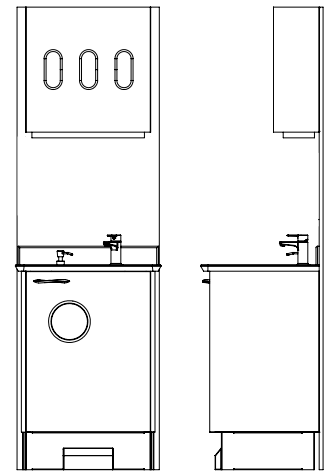
| | | | |
|--|--------------------------|----------|-----|
| Wilsonart Laminate for Vertical Surfaces | <input type="checkbox"/> | Included | N/C |
|--|--------------------------|----------|-----|

For custom laminate or solid surface colors please contact Customer Service for availability, pricing and lead times

Series 5 32" Tall, 17" Deep T-Wall Cabinets



TW5010
Series 5 32" Tall,
30.5" Wide, 17" Deep T-Wall



TW5012
Series 5 32" Tall,
22.75" Wide, 17" Deep T-Wall

S - Standard Features - Select Your Option

| | Part Number | Retail Price | TOTAL |
|--|-------------|--------------|-------|
|--|-------------|--------------|-------|

Step 1 Select Your Side Cabinet Model

| | | | | | |
|---|--------------------------|-----------------------|--------|------------|--|
| Series 5 32" Tall, 30.5" Wide, 17" Deep T-Wall | <input type="checkbox"/> | Waste Drop Left | TW5010 | \$4,400.00 | |
| | <input type="checkbox"/> | Waste Drop Right | TW5011 | \$4,400.00 | |
| Series 5 32" Tall, 22.75" Wide, 17" Deep T-Wall | <input type="checkbox"/> | Waste Drop Front Left | TW5012 | \$4,000.00 | |

Step 2 Configure Your Upper

| | | | | |
|--------------------------|--|-----------|---------|--|
| <input type="checkbox"/> | 20" Tall Glove, Cup + Towel Dispenser (Standard) | 68331-20T | N/C | |
| <input type="checkbox"/> | 24" Tall Glove, Cup + Towel Dispenser | 68331-24T | \$50.00 | |
| <input type="checkbox"/> | 30" Tall Glove, Cup + Towel Dispenser | 68331-30T | \$70.00 | |

Step 3 Select Your Cabinet Colors (See colors dciedge.com/request-samples)

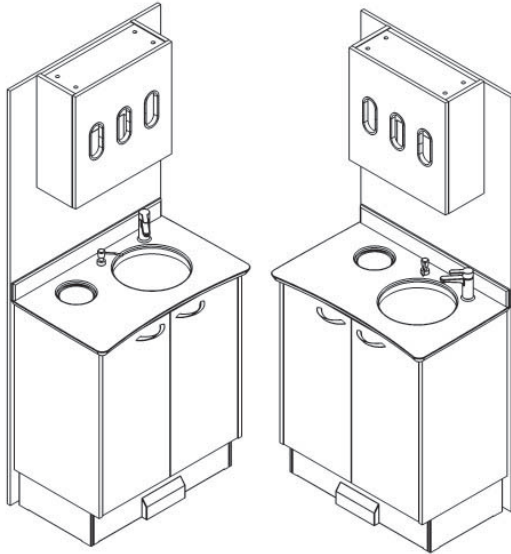
| | | | | |
|--------------------------|--|--|-----|--|
| <input type="checkbox"/> | Wilsonart Laminate for Vertical Surfaces | | N/C | |
| <input type="checkbox"/> | Wilsonart Solid Surface Countertop Selection | | N/C | |

For custom laminate or solid surface colors please contact Customer Service for availability, pricing and lead times

Step 4 Configure Your Cabinet

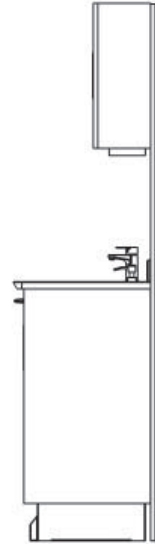
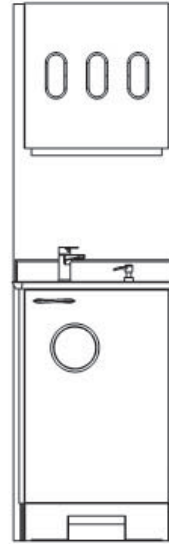
| | | | | |
|-------------------------------------|--|-------|-----------|--|
| <input checked="" type="checkbox"/> | Solid Surface Counter Top | | N/C | |
| <input checked="" type="checkbox"/> | Under Counter Mounted Stainless Steel Sink | | N/C | |
| <input checked="" type="checkbox"/> | Chrome Faucet & Soap Dispenser | | N/C | |
| <input checked="" type="checkbox"/> | Structural Powder Coated Steel Sub Base | | N/C | |
| <input checked="" type="checkbox"/> | Soft Close Drawers and Doors | | N/C | |
| <input checked="" type="checkbox"/> | Stainless Waste Drop with Trash Bin | | N/C | |
| <input checked="" type="checkbox"/> | Tapmaster Handsfree Faucet Control | | N/C | |
| <input type="checkbox"/> | Undermount Sharps and Waste Drop (in lieu of Stainless Waste Drop and Trash Bin) | 68422 | N/C | |
| <input type="checkbox"/> | Delete Tapmaster Handsfree Faucet Control | 68955 | \$-250.00 | |
| <input type="checkbox"/> | Delete Sink | 68956 | \$-70.00 | |
| <input type="checkbox"/> | Delete Faucet | 68957 | \$-50.00 | |
| <input type="checkbox"/> | Delete Soap Dispenser | 68958 | \$-20.00 | |
| <input type="checkbox"/> | Delete Stainless Waste Drop, Trash Bin and Cutout | 68959 | \$-40.00 | |
| <input type="checkbox"/> | Delete Trash Cutout for TW5012 only | 69000 | N/C | |

Series 5 36" Tall, 17" Deep T-Wall Cabinets



TW5110

Series 5 36" Tall, 30.5" Wide, 17" Deep T-Wall



TW5112

Series 5 36" Tall, 22.75" Wide, 17" Deep T-Wall

S - Standard Features - Select Your Option

| Part Number | Retail Price | TOTAL |
|-------------|--------------|-------|
|-------------|--------------|-------|

Step 1 Select Your Side Cabinet Model

| | | | | | |
|---|--------------------------|-----------------------|--------|------------|--|
| Series 5 36" Tall, 30.5" Wide, 17" Deep T-Wall | <input type="checkbox"/> | Waste Drop Left | TW5110 | \$4,480.00 | |
| | <input type="checkbox"/> | Waste Drop Right | TW5111 | \$4,480.00 | |
| Series 5 36" Tall, 22.75" Wide, 17" Deep T-Wall | <input type="checkbox"/> | Waste Drop Front Left | TW5112 | \$4,090.00 | |

Step 2 Configure Your Upper

| | | | |
|--------------------------|--|-----------|---------|
| <input type="checkbox"/> | 20" Tall Glove, Cup + Towel Dispenser (Standard) | 68331-20T | N/C |
| <input type="checkbox"/> | 24" Tall Glove, Cup + Towel Dispenser | 68331-24T | \$50.00 |
| <input type="checkbox"/> | 30" Tall Glove, Cup + Towel Dispenser | 68331-30T | \$70.00 |

Step 3 Select Your Cabinet Colors (See colors @ dciedge.com/request-samples)

| | | | |
|--------------------------|--|--|-----|
| <input type="checkbox"/> | Wilsonart Laminate for Vertical Surfaces | | N/C |
| <input type="checkbox"/> | Wilsonart Solid Surface Countertop Selection | | N/C |

For custom laminate or solid surface colors please contact Customer Service for availability, pricing and lead times

Step 4 Configure Your Side Cabinet

| | | | |
|--------------------------|--|-------|-----------|
| S | Solid Surface Counter Top | | N/C |
| S | Under Counter Mounted Stainless Steel Sink | | N/C |
| S | Chrome Faucet & Soap Dispenser | | N/C |
| S | Structural Powder Coated Steel Sub Base | | N/C |
| S | Soft Close Drawers and Doors | | N/C |
| S | Stainless Waste Drop with Trash Bin | | N/C |
| S | Tapmaster Handsfree Faucet Control | | N/C |
| <input type="checkbox"/> | Undermount Sharps and Waste Drop (in lieu of Stainless Waste Drop and Trash Bin) | 68422 | N/C |
| <input type="checkbox"/> | Delete Tapmaster Handsfree Faucet Control | 68955 | \$-250.00 |
| <input type="checkbox"/> | Delete Sink | 68956 | \$-70.00 |
| <input type="checkbox"/> | Delete Faucet | 68957 | \$-50.00 |
| <input type="checkbox"/> | Delete Soap Dispenser | 68958 | \$-20.00 |
| <input type="checkbox"/> | Delete Stainless Waste Drop, Trash Bin and Cutout | 68959 | \$-40.00 |
| <input type="checkbox"/> | Delete Trash Cutout for TW5112 only | 69000 | N/C |

Cabinets will be manufactured with Standard Features if no options are indicated when order is placed.

Series 4 Cabinetry



Affordable Dental Cabinetry

Features

Structural steel subbase won't warp or delaminate over time

Optional CPU storage in upper section w/ ability to add left-right sliding monitor mount

Center chase accommodates analgesia controls

Accepts DCI Edge 12 o'clock delivery systems

12 o'clock cabinet available in both wall mounted or free standing

Offered in both front and side access storage

Side cabinets feature stainless steel under mounted sink with faucet and soap dispenser

Side cabinets are offered in multiple lengths & styles

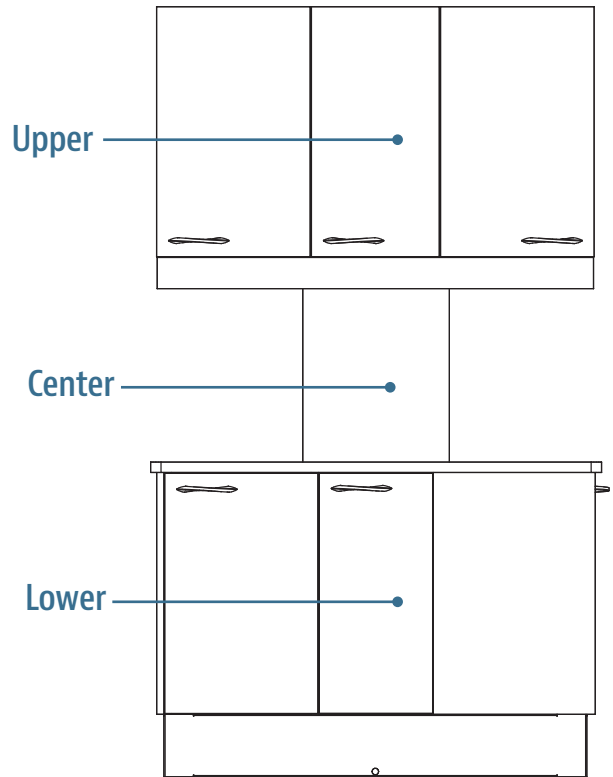
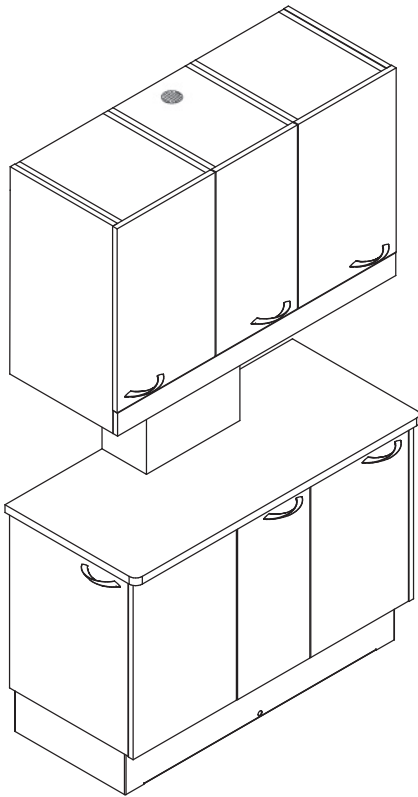
Why pay more for the same features?

DCI Edge cabinetry offers the features you want, the reliability you need, and the quality you deserve for significantly less money than other popular brands.

When you save with DCI Edge, not only can you enjoy new, world-class equipment, but you can invest in other upgrades to your practice or simply save for the future.



Series 4 42" 12 o'clock Cabinet



All Models include Soft Close Doors & Drawers and Upper CPU Vents

S - Standard Features - Select Your Option

| | | Part Number | Retail Price | TOTAL |
|---|--------------------------|-------------|--------------|-------|
| Step 1 Select Your Cabinet | | | | |
| 42" Series 4 12 o'clock Cabinet Wall Mounted | <input type="checkbox"/> | CR4000 | \$5,580.00 | |
| 42" Series 4 12 o'clock Cabinet, Lower Only | <input type="checkbox"/> | CR4001 | \$3,620.00 | |
| 42" Series 4 12 o'clock Cabinet, Upper Only | <input type="checkbox"/> | CR4020 | \$2,390.00 | |
| Add 74" Structural Support for 42" Free Standing Cabinet (not compatible with 80" Tall Cabinet) | <input type="checkbox"/> | 68268 | \$1,860.00 | |
| Add 74" Tall Decorative Back Panel, 42" Wide, 12 o'clock Wall Mounted Cabinet | <input type="checkbox"/> | 68375 | \$630.00 | |
| Add Decorative Back Panel for 42" Wall Mounted Cabinet, Lower Only (Required for any side drawer lower options) | <input type="checkbox"/> | 68960 | \$390.00 | |
| Add 80" Tall Decorative Back Panel, 42" Wide, 12 o'clock | <input type="checkbox"/> | 68375-80 | \$630.00 | |
| Step 2 Select Your Upper Section | | | | |
| 24" Upper for 74" Tall Cabinet | <input type="checkbox"/> | 69751 | Included | |
| 30" Upper for 80" Tall Cabinet | <input type="checkbox"/> | 69752 | \$410.00 | |
| | | Part Number | Retail Price | TOTAL |
| Step 3 Select Your Cabinet Colors (See colors dciedge.com/request-samples) | | | | |
| Wilsonart Laminate for Vertical Surfaces | <input type="checkbox"/> | | Included | |
| Wilsonart Solid Surface Countertop | <input type="checkbox"/> | | Included | |

For custom laminate or solid surface colors please contact Customer Service for availability, pricing and lead times.
For 12 o'clock Cabinet Sliding Monitor Mounts, we suggest ICW Ultra 500i. Order at www.icwusa.com

Step 4 Configure Your Upper

| | | Height | Part Number | Retail Price | TOTAL |
|--|--------------------------|-----------|-------------|--------------|-------|
| Step 4A Configure Left Upper | | | | | |
| 3 Glass Shelves (no Glove Dispenser) | S | 24" Upper | 69750L | N/C | |
| | S | 30" Upper | 69755L | N/C | |
| Front Door Glove Dispenser (w/2 glass shelves) | <input type="checkbox"/> | 24" Upper | 68962 | \$320.00 | |
| | <input type="checkbox"/> | 30" Upper | 69756 | \$310.00 | |
| Additional set of 3 Glass Shelves | <input type="checkbox"/> | | 68953L | \$140.00 | |
| Step 4B Configure Center Upper- CPU Ready | | | | | |
| Upper Center Module for CPU | S | 24" Upper | 69754 | N/C | |
| | S | 30" Upper | 69759 | N/C | |
| Additional set of 3 Glass Shelves | <input type="checkbox"/> | | 68265G | \$140.00 | |
| Step 4C Configure Right Upper | | | | | |
| 3 Glass Shelves (no Glove Dispenser) | S | 24" Upper | 69750R | N/C | |
| | S | 30" Upper | 69755R | N/C | |
| Front Door Glove Dispenser (w/2 glass shelves) | <input type="checkbox"/> | 24" Upper | 68963 | \$320.00 | |
| | <input type="checkbox"/> | 30" Upper | 69757 | \$310.00 | |
| Additional set of 3 Glass Shelves | <input type="checkbox"/> | | 68953R | \$140.00 | |
| Lead Lining | | | | | |
| Add Lead Lining, 12 o'clock | <input type="checkbox"/> | | 68551-CR | \$2,140.00 | |

Step 5 Configure Your Center

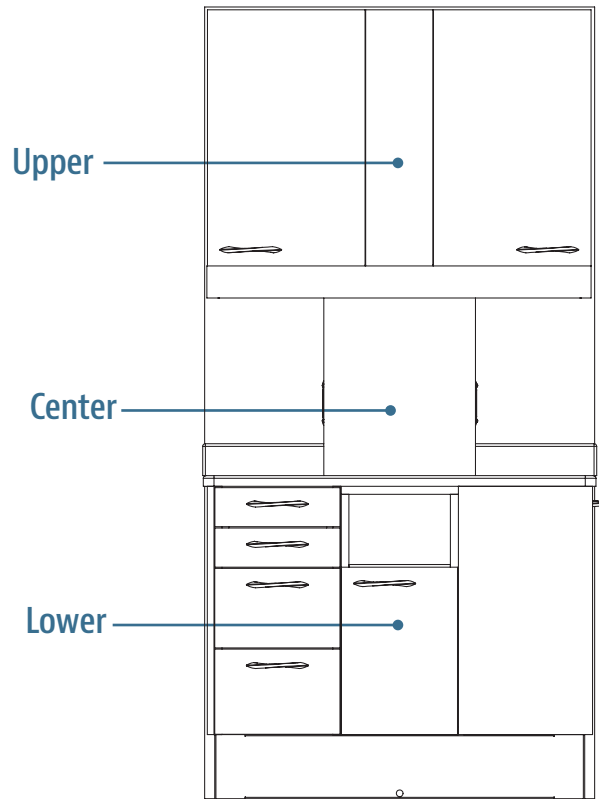
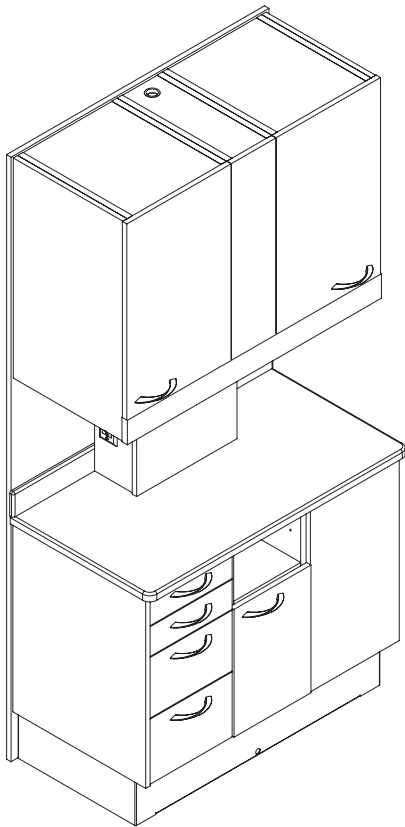
| | | | | | |
|---|--------------------------|--|-------|----------|--|
| Series 4 Center Chase | S | | 68347 | Included | |
| Delete Series 4 Center Chase | <input type="checkbox"/> | | 68364 | -\$70.00 | |
| Series 4 Center Chase for Porter MXR | <input type="checkbox"/> | | 68348 | \$130.00 | |
| Series 4 Center Chase for Accutron Digital Ultra PC 56800 | <input type="checkbox"/> | | 68349 | \$130.00 | |
| Series 4 Center Chase for Accutron Ultra PC 36800 | <input type="checkbox"/> | | 68350 | \$130.00 | |
| Series 4 Center Chase for Porter MDM | <input type="checkbox"/> | | 69989 | \$130.00 | |

Step 6 Configure Your Lower

| | | | | | |
|--|--------------------------|--|--------|----------|--|
| Step 6A Configure Left Base | | | | | |
| Front Access Door Module | S | | 68250L | N/C | |
| Front Access 3 Drawer Module | <input type="checkbox"/> | | 68251L | \$390.00 | |
| Front Access 4 Drawer Module | <input type="checkbox"/> | | 68750L | \$390.00 | |
| Front Access Flip Down Module | <input type="checkbox"/> | | 68252L | \$390.00 | |
| Side Access Door Module | <input type="checkbox"/> | | 68256L | N/C | |
| Side Access 3 Drawer Module* | <input type="checkbox"/> | | 68257L | \$390.00 | |
| Side Access 4 Drawer Module* | <input type="checkbox"/> | | 68751L | \$390.00 | |
| Step 6B Configure Middle Base | | | | | |
| Center Module for Mobile Delivery | <input type="checkbox"/> | | 68254 | N/C | |
| Center Module for Slide Out/Fixed Delivery | <input type="checkbox"/> | | 68489 | N/C | |
| Center Module for Floor-Mounted Delivery w/Bifold Door | <input type="checkbox"/> | | 67157 | N/C | |
| Center Module for Door Only | S | | 68255 | N/C | |
| Center Module for CPU | <input type="checkbox"/> | | 68379 | N/C | |
| Step 6C Configure Right Base | | | | | |
| Front Access Door Module | <input type="checkbox"/> | | 68250R | N/C | |
| Front Access 3 Drawer Module | <input type="checkbox"/> | | 68251R | \$390.00 | |
| Front Access 4 Drawer Module | <input type="checkbox"/> | | 68750R | \$390.00 | |
| Front Access Flip Down Module | <input type="checkbox"/> | | 68252R | \$390.00 | |
| Side Access Door Module | S | | 68256R | N/C | |
| Side Access 3 Drawer Module* | <input type="checkbox"/> | | 68257R | \$390.00 | |
| Side Access 4 Drawer Module* | <input type="checkbox"/> | | 68751R | \$390.00 | |

Cabinets will be manufactured with Standard Features if no options are indicated when order is placed. * All side access drawer lower modules require 68960 back panel

Series 4 36" 12 o'clock Cabinet



Shown with Decorative Back Panel
All Models include Soft Close Doors & Drawers

S - Standard Features - Select Your Option

| | | Part Number | Retail Price | TOTAL |
|--|--------------------------|-------------|--------------|-------|
| Step 1 Select Your Cabinet | | | | |
| 36" Series 4 12 o'clock Cabinet Wall Mounted | <input type="checkbox"/> | CR4300 | \$5,180.00 | |
| 36" Series 4 12 o'clock Cabinet, Lower Only | <input type="checkbox"/> | CR4301 | \$3,620.00 | |
| 36" Series 4 12 o'clock Cabinet, Upper Only | <input type="checkbox"/> | CR4320 | \$2,390.00 | |
| Add 74" Structural Support for 36" Free Standing Cabinet (not compatible with 80" Tall Cabinet) | <input type="checkbox"/> | 68709 | \$1,860.00 | |
| Add 74" Tall Decorative Back Panel, 36" Wide, 12 o'clock | <input type="checkbox"/> | 68679 | \$630.00 | |
| Add 80" Tall Decorative Back Panel, 36" Wide, 12 o'clock | <input type="checkbox"/> | 68679-80 | \$630.00 | |
| Decorative Back Panel for 36" Wall Mounted Cabinet, Lower Only (Required for any side access drawer lower module) | <input type="checkbox"/> | 68964 | \$390.00 | |
| Step 2 Select Your Upper Section | | | | |
| 24" Upper for 74" tall cabinet | <input type="checkbox"/> | 69751 | Included | |
| 30" Upper for 80" tall cabinet | <input type="checkbox"/> | 69752 | \$410.00 | |
| Step 3 Select Your Cabinet Colors (See colors dciedge.com/request-samples) | | | | |
| Wilsonart Laminate for Vertical Surfaces | <input type="checkbox"/> | | Included | |
| Wilsonart Solid Surface Countertop Selection | <input type="checkbox"/> | | Included | |

For custom laminate or solid surface colors please contact Customer Service for availability, pricing and lead times.
For 12 o'clock Cabinet Sliding Monitor Mounts, we suggest ICW Ultra 500i. Order at www.icwusa.com

Step 4 Configure Your Upper

| | | Height | Part Number | Retail Price | TOTAL |
|--|--------------------------|-----------|-------------|--------------|-------|
| Step 4A Configure Left Upper | | | | | |
| 3 Glass Shelves (no Glove Dispenser) | S | 24" Upper | 69750L | N/C | |
| | S | 30" Upper | 69755L | N/C | |
| Front Door Glove Dispenser (w/2 glass shelves) | <input type="checkbox"/> | 24" Upper | 68962 | \$320.00 | |
| | <input type="checkbox"/> | 30" Upper | 69756 | \$310.00 | |
| Additional set of 3 Glass Shelves | <input type="checkbox"/> | | 68953L | \$140.00 | |
| Step 4B Configure Right Upper | | | | | |
| 3 Glass Shelves (no Glove Dispenser) | S | 24" Upper | 69750R | N/C | |
| | S | 30" Upper | 69755R | N/C | |
| Front Door Glove Dispenser (w/2 glass shelves) | <input type="checkbox"/> | 24" Upper | 68963 | \$320.00 | |
| | <input type="checkbox"/> | 30" Upper | 69757 | \$310.00 | |
| Additional set of 3 Glass Shelves | <input type="checkbox"/> | | 68953R | \$140.00 | |
| Lead Lining | | | | | |
| Add Lead Lining, 12 o'clock | <input type="checkbox"/> | | 68551-CR | \$2,140.00 | |

Step 5 Configure Your Center

| | | | | | |
|---|--------------------------|--|-------|----------|--|
| Series 4 Center Chase | S | | 68347 | Included | |
| Delete Series 4 Center Chase | <input type="checkbox"/> | | 68364 | -\$70.00 | |
| Series 4 Center Chase for Porter MXR | <input type="checkbox"/> | | 68348 | \$130.00 | |
| Series 4 Center Chase for Accutron Digital Ultra PC 56800 | <input type="checkbox"/> | | 68349 | \$130.00 | |
| Series 4 Center Chase for Accutron Ultra PC 36800 | <input type="checkbox"/> | | 68350 | \$130.00 | |
| Series 4 Center Chase for Porter MDM | <input type="checkbox"/> | | 69989 | \$130.00 | |

Step 6 Configure Your Lower

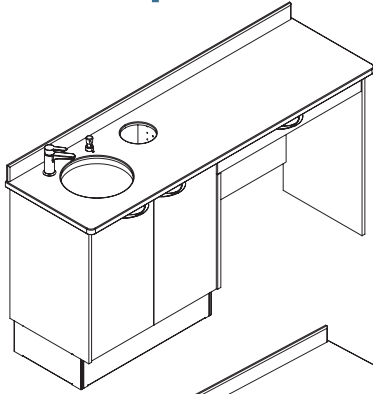
| | | | Part Number | Retail Price | TOTAL |
|--|--------------------------|--|-------------|--------------|-------|
| Step 6A Configure Left Base | | | | | |
| Front Access Door Module | S | | 68743L | N/C | |
| Front Access 3 Drawer Module | <input type="checkbox"/> | | 68744L | \$390.00 | |
| Front Access 4 Drawer Module | <input type="checkbox"/> | | 68745L | \$390.00 | |
| Front Access Flip Down Module | <input type="checkbox"/> | | 68746L | \$390.00 | |
| Side Access Door Module | <input type="checkbox"/> | | 68747L | N/C | |
| Side Access 3 Drawer Module* | <input type="checkbox"/> | | 68748L | \$390.00 | |
| Side Access 4 Drawer Module* | <input type="checkbox"/> | | 68749L | \$390.00 | |
| Step 6B Configure Middle Base | | | | | |
| Center Module for Mobile Delivery | <input type="checkbox"/> | | 68254 | N/C | |
| Center Module for Slide Out/Fixed Delivery | <input type="checkbox"/> | | 68489 | N/C | |
| Center Module for Floor-Mounted Delivery w/Bifold Door | <input type="checkbox"/> | | 67157 | N/C | |
| Center Module for Door Only | S | | 68255 | N/C | |
| Center Module for CPU | <input type="checkbox"/> | | 68379 | N/C | |
| Step 6C Configure Right Base | | | | | |
| Front Access Door Module | <input type="checkbox"/> | | 68743R | N/C | |
| Front Access 3 Drawer Module | <input type="checkbox"/> | | 68744R | \$390.00 | |
| Front Access 4 Drawer Module | <input type="checkbox"/> | | 68745R | \$390.00 | |
| Front Access Flip Down Module | <input type="checkbox"/> | | 68746R | \$390.00 | |
| Side Access Door Module | S | | 68747R | N/C | |
| Side Access 3 Drawer Module* | <input type="checkbox"/> | | 68748R | \$390.00 | |
| Side Access 4 Drawer Module* | <input type="checkbox"/> | | 68749R | \$390.00 | |

Cabinets will be manufactured with Standard Features if no options are indicated when order is placed.

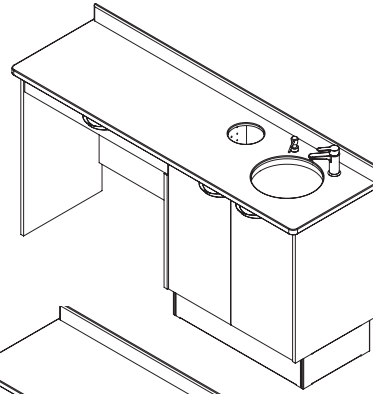
* All side access drawer lower modules require 68964 back panel

Series 4 32" Tall, 17" Deep Side Cabinets

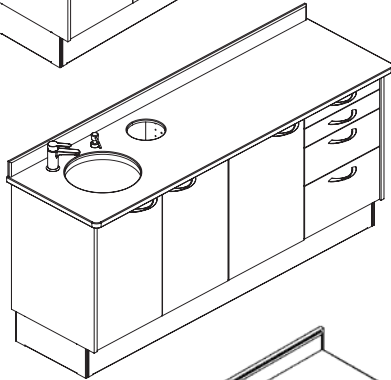
CD4001



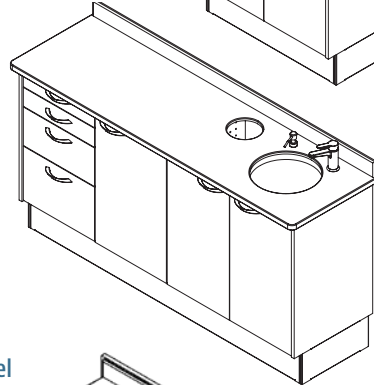
CD4000



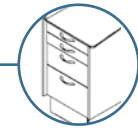
CA4001



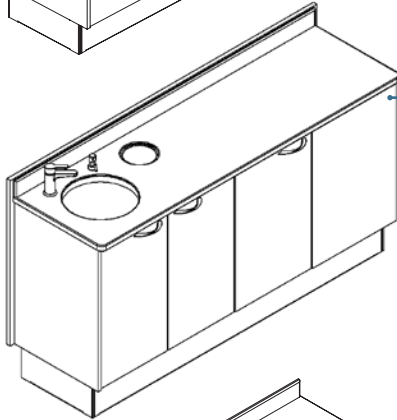
CA4000



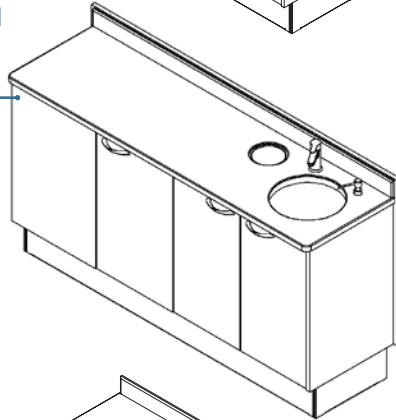
Side Facing
4 Drawer model



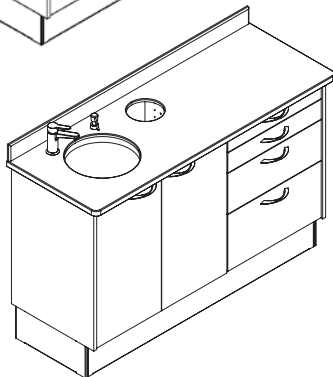
CA4005



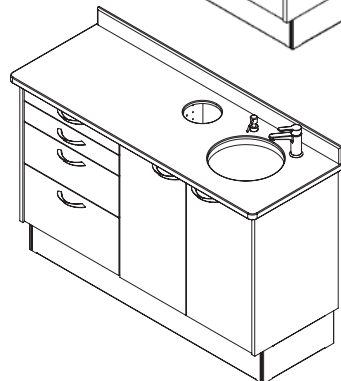
CA4004



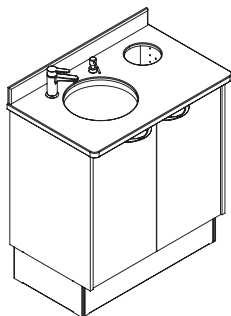
CA4009



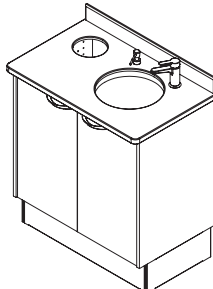
CA4008



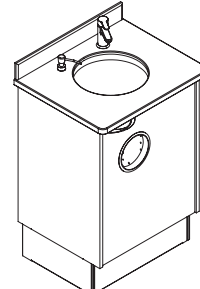
CA4011



CA4010



CA4012



S - Standard Features - Select Your Option

| Part Number | Retail Price | TOTAL |
|-------------|--------------|-------|
|-------------|--------------|-------|

Step 1 Select Your Side Cabinet Model

| | | | | | |
|--|--------------------------|-------------|--------|------------|--|
| Series 4 63" Side Delivery Cabinet, 32" Tall, 32" Pencil Drawer, 28" Sink | <input type="checkbox"/> | Sink Right | CD4000 | \$3,370.00 | |
| | <input type="checkbox"/> | Sink Left | CD4001 | \$3,370.00 | |
| Series 4 63" Side Storage Cabinet, 32" Tall, 16" Front Drawer, 16" Door, 28" Sink | <input type="checkbox"/> | Sink Right | CA4000 | \$4,620.00 | |
| | <input type="checkbox"/> | Sink Left | CA4001 | \$4,620.00 | |
| Series 4 63" Side Storage Cabinet, 32" Tall, 16" Side Drawer, 16" Door, 28" Sink, Back Panel | <input type="checkbox"/> | Sink Right | CA4004 | \$5,220.00 | |
| | <input type="checkbox"/> | Sink Left | CA4005 | \$5,220.00 | |
| Series 4 51" Side Storage Cabinet, 32" Tall, 20" Drawer, 28" Sink | <input type="checkbox"/> | Sink Right | CA4008 | \$4,050.00 | |
| | <input type="checkbox"/> | Sink Left | CA4009 | \$4,050.00 | |
| Series 4 31" Side Storage Cabinet, 32" Tall, 28" Sink | <input type="checkbox"/> | Sink Right | CA4010 | \$2,360.00 | |
| | <input type="checkbox"/> | Sink Left | CA4011 | \$2,360.00 | |
| Series 4 23" Side Storage Cabinet, 32" Tall, Sink | <input type="checkbox"/> | Sink Center | CA4012 | \$2,150.00 | |

Step 2 Select Your Cabinet Colors (See colors dciedge.com/request-samples)

| | | | | |
|--|--------------------------|--|-----|--|
| Wilsonart Laminate for Vertical Surfaces | <input type="checkbox"/> | | N/C | |
| Wilsonart Solid Surface Countertop | <input type="checkbox"/> | | N/C | |

For custom laminate or solid surface colors please contact Customer Service for availability, pricing and lead time

Step 3 Configure Your Side Cabinet

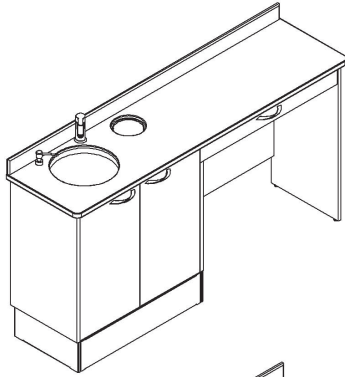
| | | | |
|--------------------------|--|-------|----------|
| S | Solid Surface Counter Top | | N/C |
| S | Under Counter Mounted Stainless Steel Sink | | N/C |
| S | Chrome Faucet & Soap Dispenser | | N/C |
| S | Structural Powder Coated Steel Sub Base | | N/C |
| S | Soft Close Drawers and Doors | | N/C |
| S | Stainless Waste Drop with Trash Bin | | N/C |
| <input type="checkbox"/> | Tapmaster Handsfree Faucet Control | 1555E | \$680.00 |
| <input type="checkbox"/> | Undermount Sharps & Waste Drop (in lieu of Stainless Waste Drop and Trash Bin) | 6804E | \$470.00 |
| <input type="checkbox"/> | Add Sanitizer Wipe Holder | 6822 | \$30.00 |
| <input type="checkbox"/> | Delete Sink | 68956 | \$-70.00 |
| <input type="checkbox"/> | Delete Faucet | 68957 | \$-50.00 |
| <input type="checkbox"/> | Delete Soap Dispenser | 68958 | \$-20.00 |
| <input type="checkbox"/> | Delete Stainless Waste Drop, Trash Bin and Cutout | 68959 | \$-40.00 |
| <input type="checkbox"/> | Delete Trash Cutout for CA4012 only | 69000 | N/C |

Cabinets will be manufactured with Standard Features if no options are indicated when order is placed.

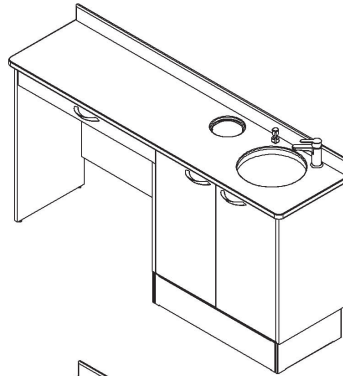
Series 4

32" Tall / 15" Deep Side Cabinets

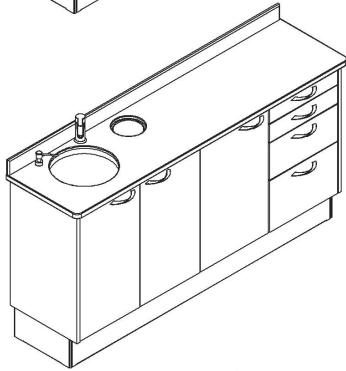
CD4201



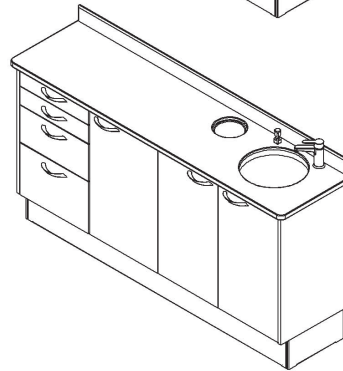
CD4200



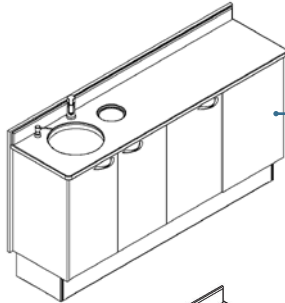
CA4201



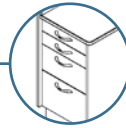
CA4200



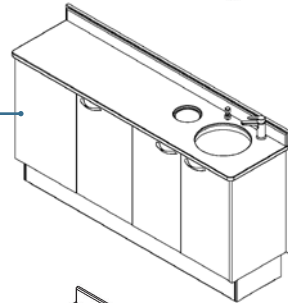
CA4205



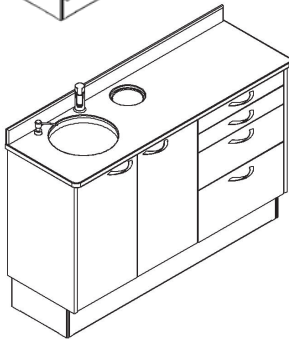
Side Facing
4 Drawer model



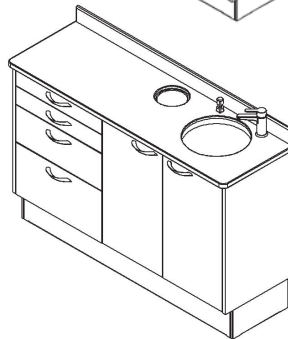
CA4204



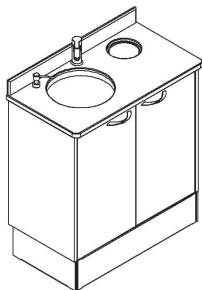
CA4209



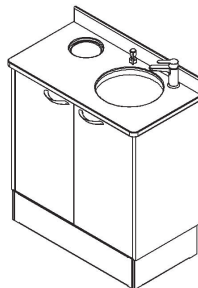
CA4208



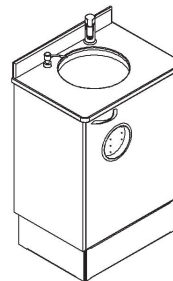
CA4211



CA4210



CA4212



S - Standard Features - Select Your Option

| Part Number | Retail Price | TOTAL |
|-------------|--------------|-------|
|-------------|--------------|-------|

Step 1 Select Your Side Cabinet Model

| | | | | | |
|--|--------------------------|-------------|--------|------------|--|
| Series 4 63" Side Delivery Cabinet, 32" Tall, 15" Deep, 32" Pencil Drawer, 28" Sink | <input type="checkbox"/> | Sink Right | CD4200 | \$3,340.00 | |
| | <input type="checkbox"/> | Sink Left | CD4201 | \$3,340.00 | |
| Series 4 63" Side Storage Cabinet, 32" Tall, 15" Deep, 16" Front Drawer, 16" Door, 28" Sink | <input type="checkbox"/> | Sink Right | CA4200 | \$4,590.00 | |
| | <input type="checkbox"/> | Sink Left | CA4201 | \$4,590.00 | |
| Series 4 63" Side Storage Cabinet, 32" Tall, 15" Deep, 16" Side Drawer, 16" Door, 28" Sink, Back Panel | <input type="checkbox"/> | Sink Right | CA4204 | \$5,180.00 | |
| | <input type="checkbox"/> | Sink Left | CA4205 | \$5,180.00 | |
| Series 4 51" Side Storage Cabinet, 32" Tall, 15" Deep, 20" Drawer, 28" Sink | <input type="checkbox"/> | Sink Right | CA4208 | \$4,030.00 | |
| | <input type="checkbox"/> | Sink Left | CA4209 | \$4,030.00 | |
| Series 4 31" Side Storage Cabinet, 32" Tall, 15" Deep, 28" Sink | <input type="checkbox"/> | Sink Right | CA4210 | \$2,350.00 | |
| | <input type="checkbox"/> | Sink Left | CA4211 | \$2,350.00 | |
| Series 4 23" Side Storage Cabinet, 32" Tall, 15" Deep, Sink | <input type="checkbox"/> | Sink Center | CA4212 | \$2,140.00 | |

Step 2 Select Your Cabinet Colors (See colors dciedge.com/request-samples)

| | | | | |
|--|--------------------------|--|-----|--|
| Wilsonart Laminate for Vertical Surfaces | <input type="checkbox"/> | | N/C | |
| Wilsonart Solid Surface Countertop | <input type="checkbox"/> | | N/C | |

For custom laminate or solid surface colors please contact Customer Service for availability, pricing and lead time

Step 3 Configure Your Side Cabinet

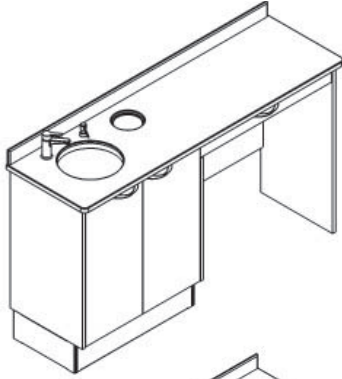
| | | | |
|--------------------------|--|-------|----------|
| S | Solid Surface Counter Top | | N/C |
| S | Under Counter Mounted Stainless Steel Sink | | N/C |
| S | Chrome Faucet & Soap Dispenser | | N/C |
| S | Structural Powder Coated Steel Sub Base | | N/C |
| S | Soft Close Drawers and Doors | | N/C |
| S | Stainless Waste Drop with Trash Bin | | N/C |
| <input type="checkbox"/> | Tapmaster Handsfree Faucet Control | 1555E | \$680.00 |
| <input type="checkbox"/> | Undermount Sharps & Waste Drop (in lieu of Stainless Waste Drop and Trash Bin) | 6804E | \$470.00 |
| <input type="checkbox"/> | Add Sanitizer Wipe Holder | 6822 | \$30.00 |
| <input type="checkbox"/> | Delete Sink | 68956 | -\$70.00 |
| <input type="checkbox"/> | Delete Faucet | 68957 | -\$50.00 |
| <input type="checkbox"/> | Delete Soap Dispenser | 68958 | -\$20.00 |
| <input type="checkbox"/> | Delete Stainless Waste Drop, Trash Bin and Cutout | 68959 | -\$40.00 |
| <input type="checkbox"/> | Delete Trash Cutout for CA4012 only | 69000 | N/C |

Cabinets will be manufactured with Standard Features if no options are indicated when order is placed.

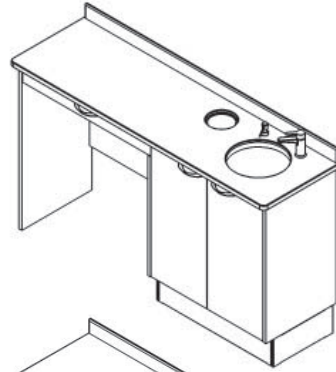
Series 4

36" Tall, 17" Deep Side Cabinets

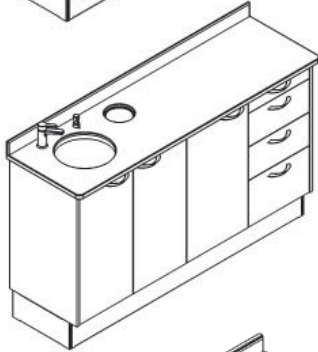
CD4101



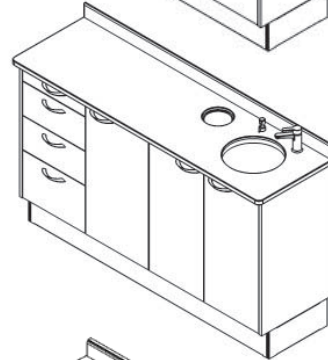
CD4100



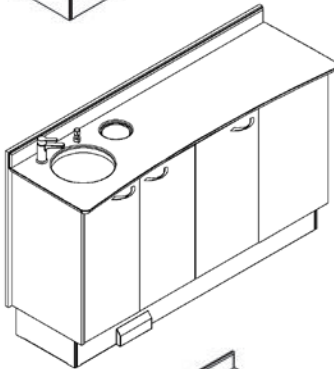
CA4101



CA4100



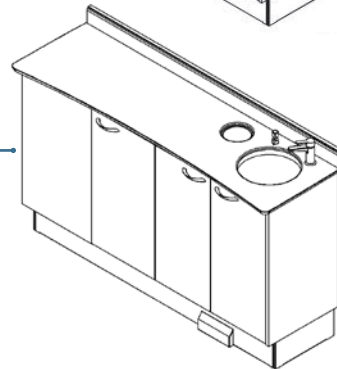
CA4105



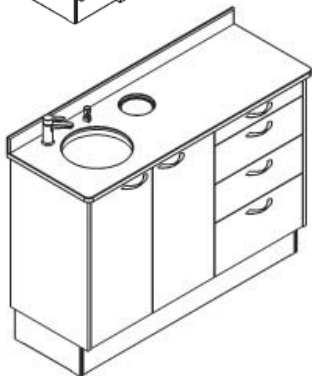
Side Facing
4 Drawer model



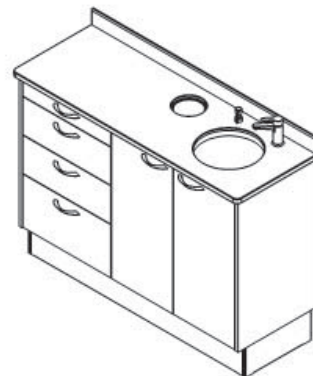
CA4104



CA4109



CA4108



CA4111



CA4110



CA4112

S - Standard Features - Select Your Option

| Part Number | Retail Price | TOTAL |
|-------------|--------------|-------|
|-------------|--------------|-------|

Step 1 Select Your Side Cabinet Model

| | | | | | |
|---|--------------------------|-------------|--------|------------|--|
| Series 4 63" Side Delivery Cabinet, 36" Tall, 32" Pencil Drawer, 28" Sink | <input type="checkbox"/> | Sink Right | CD4100 | \$3,550.00 | |
| | <input type="checkbox"/> | Sink Left | CD4101 | \$3,550.00 | |
| Series 4 63" Side Storage Cabinet, 36" Tall, 16" Front Drawer, 16" Door, 28" Sink | <input type="checkbox"/> | Sink Right | CA4100 | \$4,870.00 | |
| | <input type="checkbox"/> | Sink Left | CA4101 | \$4,870.00 | |
| Series 4 63" Side Storage Cabinet, 36" Tall 16" Side Drawer, 16" Door, 28" Sink, Back Panel | <input type="checkbox"/> | Sink Right | CA4104 | \$5,460.00 | |
| | <input type="checkbox"/> | Sink Left | CA4105 | \$5,460.00 | |
| Series 4 51" Side Storage Cabinet, 36" Tall 20" Drawer, 28" Sink | <input type="checkbox"/> | Sink Right | CA4108 | \$4,230.00 | |
| | <input type="checkbox"/> | Sink Left | CA4109 | \$4,230.00 | |
| Series 4 31" Side Storage Cabinet, 36" Tall, 28" Sink | <input type="checkbox"/> | Sink Right | CA4110 | \$2,460.00 | |
| | <input type="checkbox"/> | Sink Left | CA4111 | \$2,460.00 | |
| Series 4 23" Side Storage Cabinet, 36" Tall, Sink | <input type="checkbox"/> | Sink Center | CA4112 | \$2,230.00 | |

Step 2 Select Your Cabinet Colors (See colors @dciedge.com/request-samples)

| | | | | |
|---|--------------------------|--|-----|--|
| Wilsonart Laminate for Vertical Surface | <input type="checkbox"/> | | N/C | |
| Wilsonart Solid Surface Countertop | <input type="checkbox"/> | | N/C | |

For custom laminate or solid surface colors please contact Customer Service for availability, pricing and lead time

Step 3 Configure Your Side Cabinet

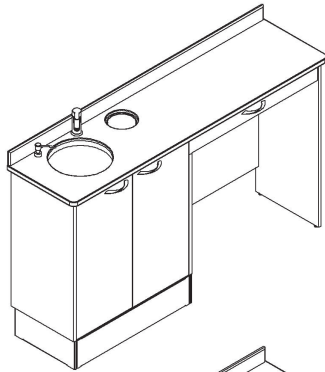
| | | | | |
|--------------------------|--|-------|----------|--|
| S | Solid Surface Counter Top | | N/C | |
| S | Under Counter Mounted Stainless Steel Sink | | N/C | |
| S | Chrome Faucet & Soap Dispenser | | N/C | |
| S | Structural Powder Coated Steel Sub Base | | N/C | |
| S | Soft Close Drawers and Doors | | N/C | |
| S | Stainless Waste Drop with Trash Bin | | N/C | |
| <input type="checkbox"/> | Tapmaster Handsfree Faucet Control | 1555E | \$680.00 | |
| <input type="checkbox"/> | Undermount Sharps & Waste Drop (in lieu of Stainless Waste Drop and Trash Bin) | 6804E | \$470.00 | |
| <input type="checkbox"/> | Add Sanitizer Wipe Holder | 6822 | \$30.00 | |
| <input type="checkbox"/> | Delete Sink | 68956 | \$-70.00 | |
| <input type="checkbox"/> | Delete Faucet | 68957 | \$-50.00 | |
| <input type="checkbox"/> | Delete Soap Dispenser | 68958 | \$-20.00 | |
| <input type="checkbox"/> | Delete Stainless Waste Drop, Trash Bin and Cutout | 68959 | \$-40.00 | |
| <input type="checkbox"/> | Delete Trash Cutout for CA4112 only | 69000 | N/C | |

Cabinets will be manufactured with Standard Features if no options are indicated when order is placed.

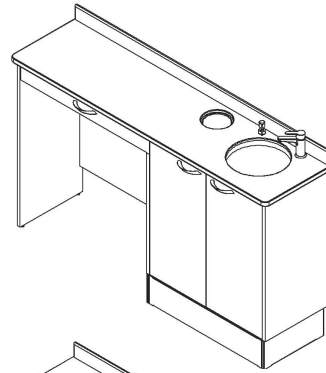
Series 4

36" Tall, 15" Deep Side Cabinets

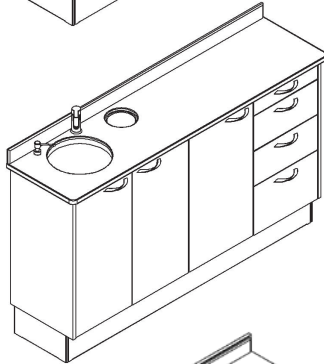
CD4301



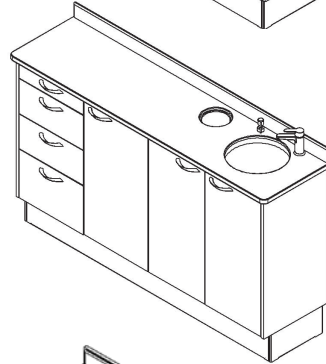
CD4300



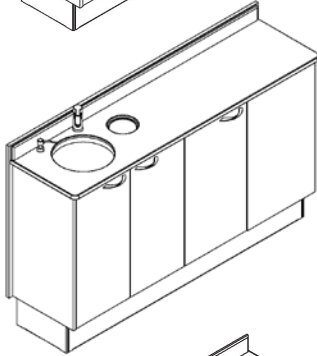
CA4301



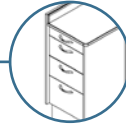
CA4300



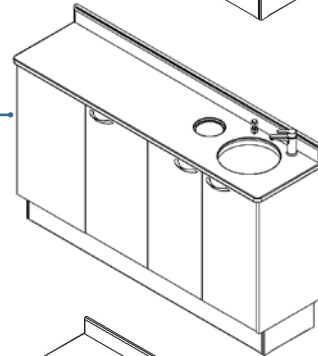
CA4305



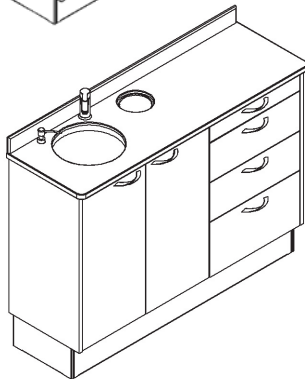
Side Facing
4 Drawer model



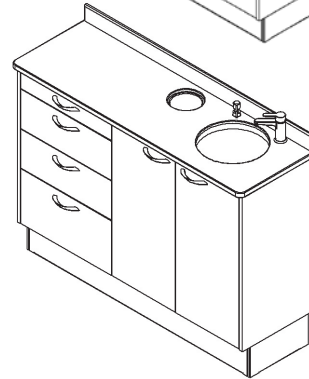
CA4304



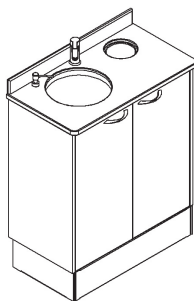
CA4309



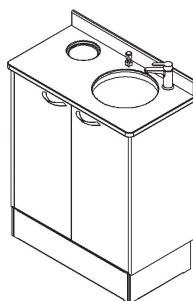
CA4308



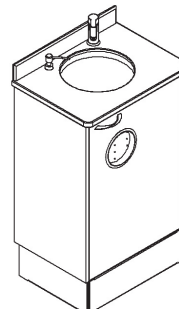
CA4311



CA4310



CA4312



S - Standard Features - Select Your Option

| Part Number | Retail Price | TOTAL |
|-------------|--------------|-------|
|-------------|--------------|-------|

Step 1 Select Your Side Cabinet Model

| | | | | | |
|--|--------------------------|-------------|--------|------------|--|
| Series 4 63" Side Delivery Cabinet, 36" Tall, 15" Deep, 32" Pencil Drawer, 28" Sink | <input type="checkbox"/> | Sink Right | CD4300 | \$3,530.00 | |
| | <input type="checkbox"/> | Sink Left | CD4301 | \$3,530.00 | |
| Series 4 63" Side Storage Cabinet, 36" Tall, 15" Deep, 16" Front Drawer, 16" Door, 28" Sink | <input type="checkbox"/> | Sink Right | CA4300 | \$4,850.00 | |
| | <input type="checkbox"/> | Sink Left | CA4301 | \$4,850.00 | |
| Series 4 63" Side Storage Cabinet, 36" Tall, 15" Deep, 16" Side Drawer, 16" Door, 28" Sink, Back Panel | <input type="checkbox"/> | Sink Right | CA4304 | \$5,440.00 | |
| | <input type="checkbox"/> | Sink Left | CA4305 | \$5,440.00 | |
| Series 4 51" Side Storage Cabinet, 36" Tall, 15" Deep, 20" Drawer, 28" Sink | <input type="checkbox"/> | Sink Right | CA4308 | \$4,210.00 | |
| | <input type="checkbox"/> | Sink Left | CA4309 | \$4,210.00 | |
| Series 4 31" Side Storage Cabinet, 36" Tall, 15" Deep, 28" Sink | <input type="checkbox"/> | Sink Right | CA4310 | \$2,450.00 | |
| | <input type="checkbox"/> | Sink Left | CA4311 | \$2,450.00 | |
| Series 4 23" Side Storage Cabinet, 36" Tall, 15" Deep, Sink | <input type="checkbox"/> | Sink Center | CA4312 | \$2,220.00 | |

Step 2 Select Your Cabinet Colors (See colors dciedge.com/request-samples)

| | | | | |
|--|--------------------------|--|-----|--|
| Wilsonart Laminate for Vertical Surfaces | <input type="checkbox"/> | | N/C | |
| Wilsonart Solid Surface Countertop | <input type="checkbox"/> | | N/C | |

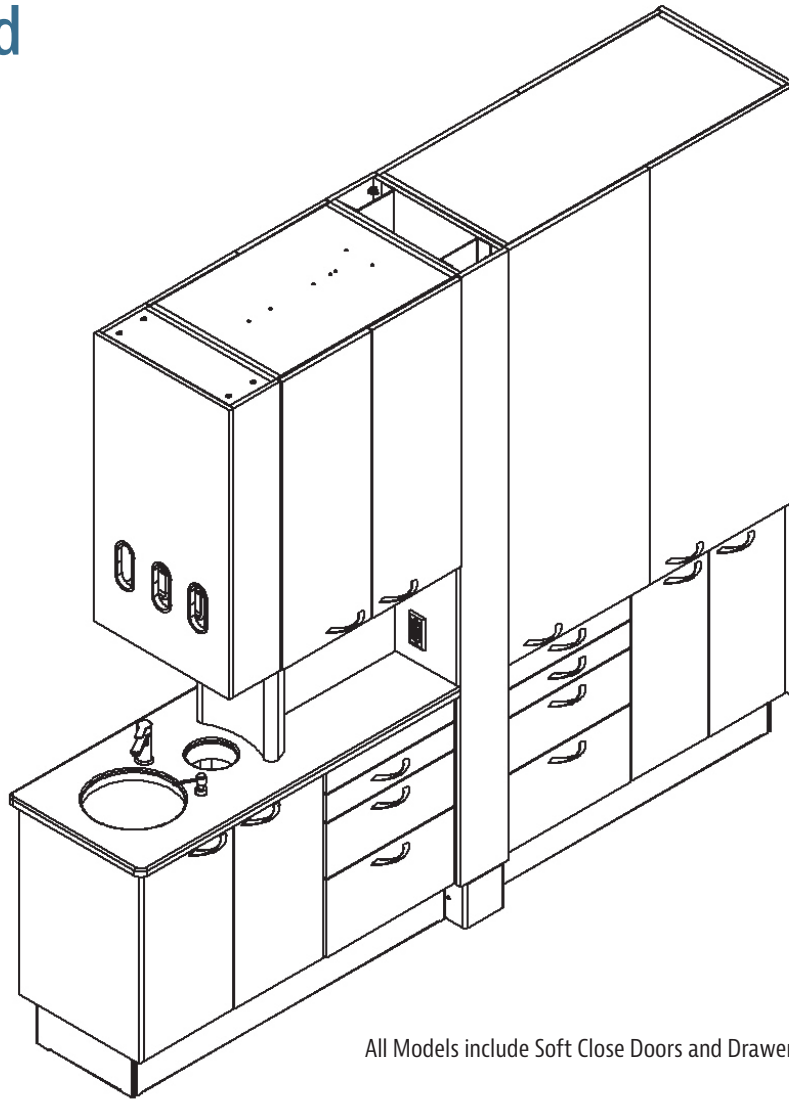
For custom laminate or solid surface colors please contact Customer Service for availability, pricing and lead time

Step 3 Configure Your Side Cabinet

| | | | |
|--------------------------|--|-------|----------|
| S | Solid Surface Counter Top | | N/C |
| S | Under Counter Mounted Stainless Steel Sink | | N/C |
| S | Chrome Faucet & Soap Dispenser | | N/C |
| S | Structural Powder Coated Steel Sub Base | | N/C |
| S | Soft Close Drawers and Doors | | N/C |
| S | Stainless Waste Drop with Trash Bin | | N/C |
| <input type="checkbox"/> | Tapmaster Handsfree Faucet Control | 1555E | \$680.00 |
| <input type="checkbox"/> | Undermount Sharps & Waste Drop (in lieu of Stainless Waste Drop and Trash Bin) | 6804E | \$470.00 |
| <input type="checkbox"/> | Add Sanitizer Wipe Holder | 6822 | \$30.00 |
| <input type="checkbox"/> | Delete Sink | 68956 | \$-70.00 |
| <input type="checkbox"/> | Delete Faucet | 68957 | \$-50.00 |
| <input type="checkbox"/> | Delete Soap Dispenser | 68958 | \$-20.00 |
| <input type="checkbox"/> | Delete Stainless Waste Drop, Trash Bin and Cutout | 68959 | \$-40.00 |
| <input type="checkbox"/> | Delete Trash Cutout for CA4312 only | 69000 | N/C |

Cabinets will be manufactured with Standard Features if no options are indicated when order is placed.

Series 4 88" Center Island



All Models include Soft Close Doors and Drawers

S - Standard Features - Select Your Option

| | | Part Number | Retail Price | TOTAL |
|---|--------------------------|-------------|--------------|-------|
| Step 1 Select Your Cabinet | | | | |
| Series 4 Center Island X-ray Concealment Doors on Upper, Storage Lower | <input type="checkbox"/> | CI4000 | \$14,490.00 | |
| Series 4 Center Island X-ray Concealment Doors on Upper, Delivery Lower | <input type="checkbox"/> | CI4001 | \$13,590.00 | |
| Series 4 Center Island Storage Upper, Storage Lower | <input type="checkbox"/> | CI4002 | \$14,710.00 | |
| Series 4 Center Island Storage Upper, Delivery Lower | <input type="checkbox"/> | CI4003 | \$14,150.00 | |
| Series 4 Center Island Front Section Only | <input type="checkbox"/> | CI4004 | \$9,290.00 | |

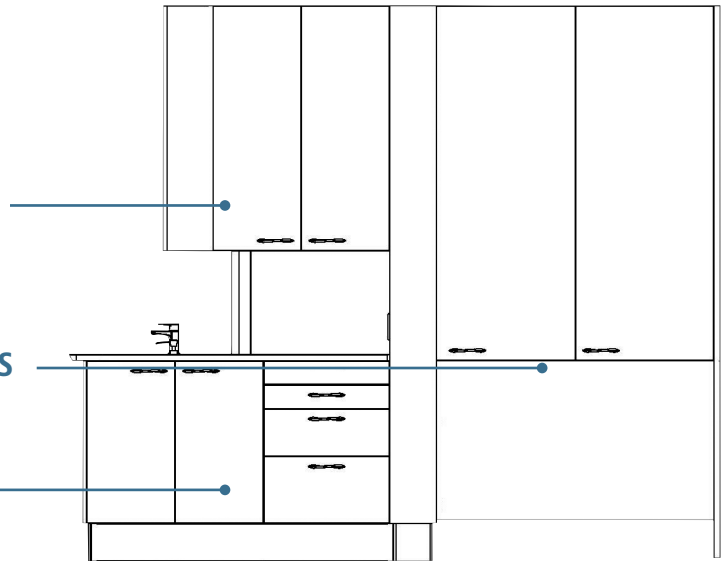
| | | Part Number | Retail Price | TOTAL |
|--|--------------------------|-------------|--------------|-------|
| Step 2 Select Your Cabinet Colors (See colors dciedge.com/request-samples) | | | | |
| Wilsonart Laminate for Vertical Surfaces | <input type="checkbox"/> | | Included | |
| Wilsonart Solid Surface Countertop | <input type="checkbox"/> | | Included | |

For custom laminate or solid surface colors please contact Customer Service for availability, pricing & lead times.

Step 1 Select Your Center Island

Step 3 Configure Your Delivery Options

Step 4 Configure Center Island



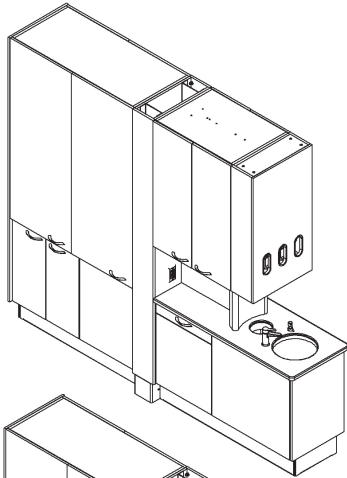
| | | Part Number | Retail Price | TOTAL |
|--|--------------------------|-------------|--------------|-------|
| Step 3 Configure Your Delivery | | | | |
| Module for Left Delivery (available for CI4001 AND CI4003 only) | <input type="checkbox"/> | 68577 | N/C | |
| Module for Right Delivery (available for CI4001 AND CI4003 only) | <input type="checkbox"/> | 68576 | N/C | |

| Step 4 Configure Your Center Island | | | | |
|--|--|----------|------------|-----|
| S | Stainless Steel Backsplash | | | N/C |
| S | Glove, Cup and Towel Dispenser | | | N/C |
| S | Solid Surface Counter Top | | | N/C |
| S | Under Counter Mounted Stainless Steel Sink | | | N/C |
| S | Chrome Faucet & Soap Dispenser | | | N/C |
| S | Structural Powder Coated Steel Sub Base | | | N/C |
| S | Soft Close Drawers and Doors | | | N/C |
| S | Stainless Waste Drop with Trash Bin | | | N/C |
| <input type="checkbox"/> | Add Undermount Sharps and Waste Drop (in lieu of Stainless Waste Drop and Trash Bin) | 6804E | \$470.00 | |
| <input type="checkbox"/> | Add Lead Lining | 68551-CI | \$2,700.00 | |
| <input type="checkbox"/> | Add Tapmaster Handsfree Faucet Control | 1555E | \$680.00 | |
| <input type="checkbox"/> | Delete Sink | 68956 | \$-70.00 | |
| <input type="checkbox"/> | Delete Faucet | 68957 | \$-50.00 | |
| <input type="checkbox"/> | Delete Soap Dispenser | 68958 | \$-20.00 | |
| <input type="checkbox"/> | Delete Stainless Steel Waste Drop, Trash Bin and Cutout | 68959 | \$-40.00 | |

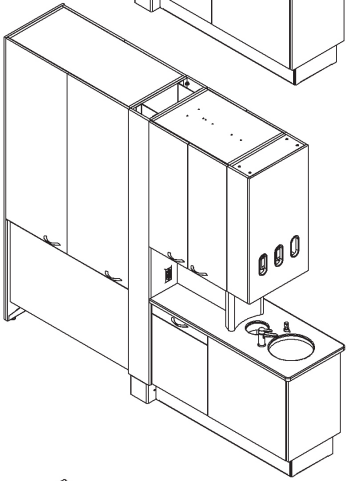
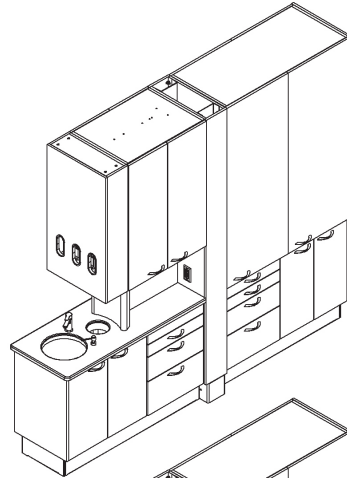
| Step 5 Add a Light | | | | |
|---|--------------------------|--------|-------|------------|
| Cabinet Mount Series 4 Light, 115V | <input type="checkbox"/> | LX4000 | White | \$4,640.00 |
| | <input type="checkbox"/> | LX4050 | Gray | \$4,640.00 |
| Cabinet Mount Series 5 Light, 115V | <input type="checkbox"/> | LX5000 | White | \$5,310.00 |
| | <input type="checkbox"/> | LX5050 | Gray | \$5,310.00 |

Cabinets will be manufactured with Standard Features if no options are indicated when order is placed.

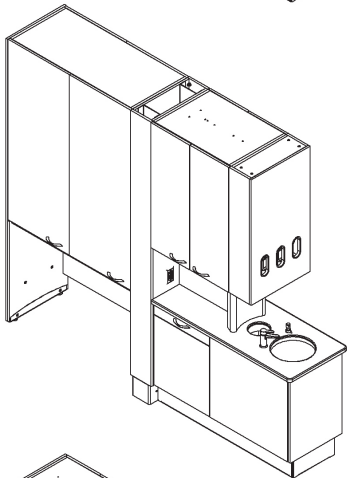
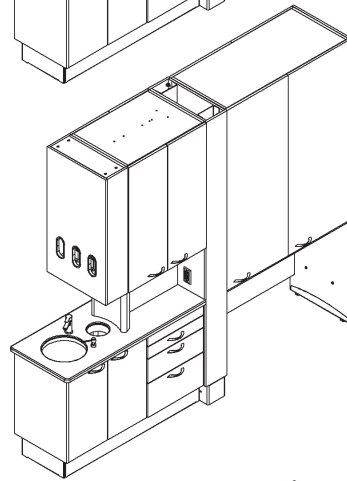
Series 4 Center Island Cabinets



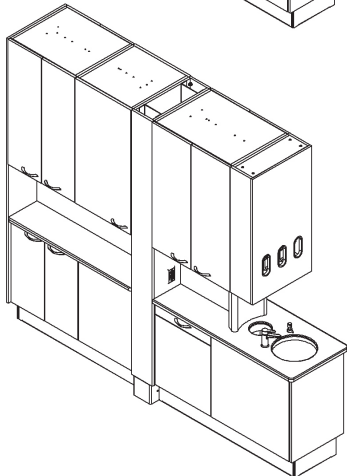
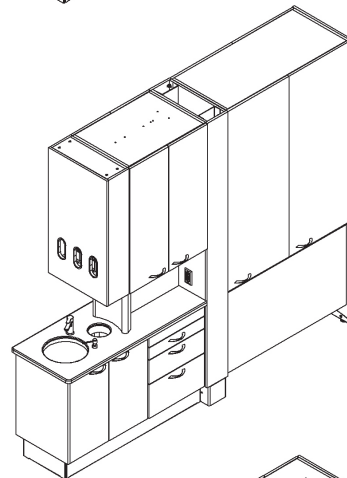
CI4000



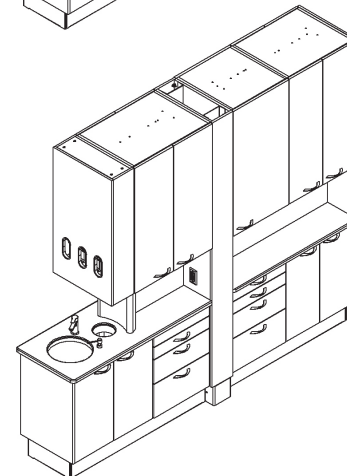
CI4001
Left Delivery
(PN 68577)



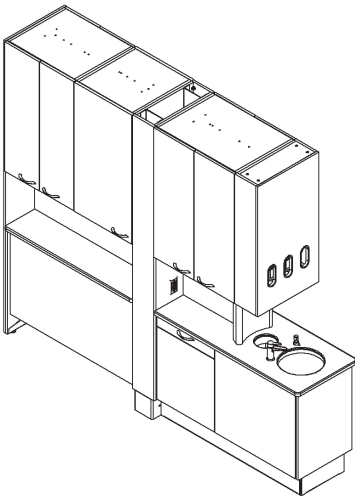
CI4001
Right Delivery
(PN 68576)



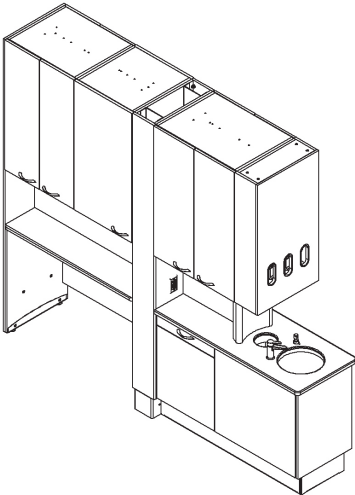
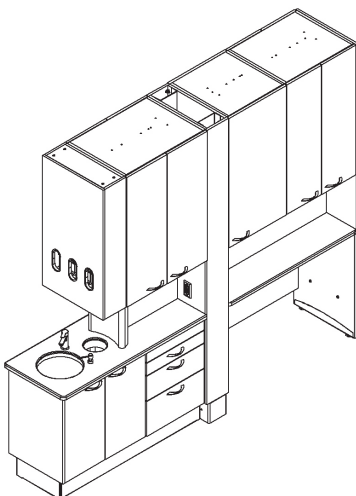
CI4002
Storage Cabinet



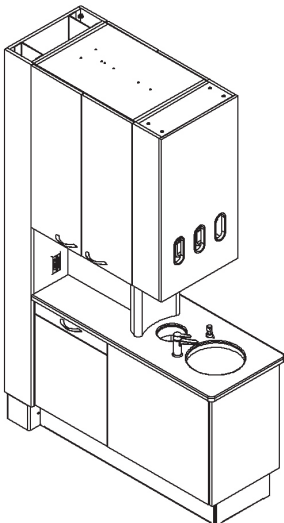
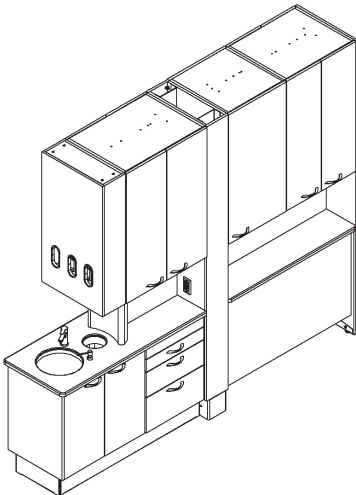
Series 4 Center Island Cabinets



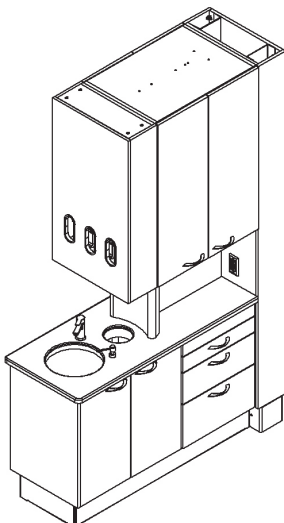
CI4003
Left Delivery
(PN 68577)



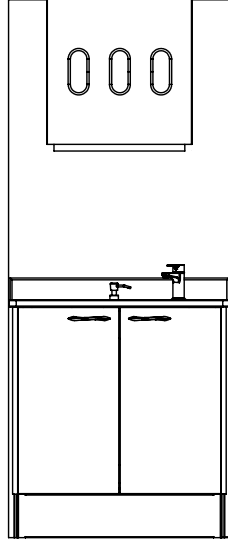
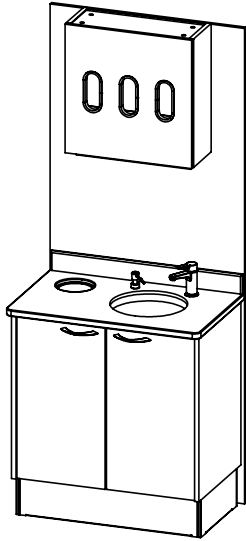
CI4003
Right Delivery
(PN 68576)



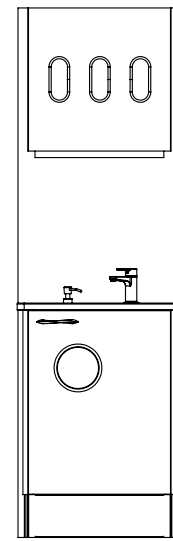
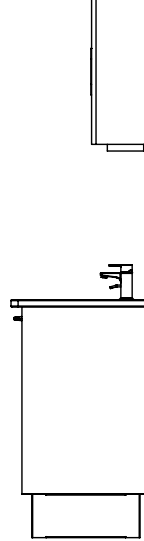
CI4004



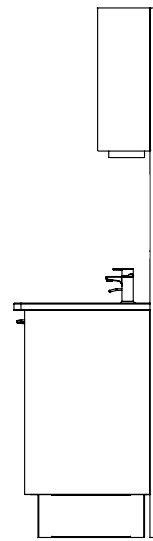
Series 4 32" Tall, 17" Deep T-Wall Cabinets



TW4010
Series 4 32" Tall, 30.5" Wide,
17" Deep T-Wall



TW4012
Series 4 32" Tall, 22.75" Wide,
17" Deep T-Wall



S - Standard Features - Select Your Option

| Part Number | Retail Price | TOTAL |
|-------------|--------------|-------|
|-------------|--------------|-------|

Step 1 Select Your Side Cabinet Model

| | | | | |
|---|--|--------|------------|--|
| Series 4 32" Tall, 30.5" Wide, 17" Deep T-Wall | <input type="checkbox"/> Waste Drop Left | TW4010 | \$3,600.00 | |
| | <input type="checkbox"/> Waste Drop Right | TW4011 | \$3,600.00 | |
| Series 4 32" Tall, 22.75" Wide, 17" Deep T-Wall | <input type="checkbox"/> Waste Drop Front Left | TW4012 | \$3,320.00 | |

Step 2 Configure Your Upper

| | | |
|---|-----------|---------|
| <input type="checkbox"/> 20" Tall Glove, Cup + Towel Dispenser (standard) | 68331-20T | N/C |
| <input type="checkbox"/> 24" Tall Glove, Cup + Towel Dispenser | 68331-24T | \$50.00 |
| <input type="checkbox"/> 30" Tall Glove, Cup + Towel Dispenser | 68331-30T | \$70.00 |

Step 3 Select Your Cabinet Colors (See colors dciedge.com/request-samples)

| | | |
|--|--------------------------|-----|
| Wilsonart Laminate for Vertical Surfaces | <input type="checkbox"/> | N/C |
| Wilsonart Solid Surface Countertop Selection | <input type="checkbox"/> | N/C |

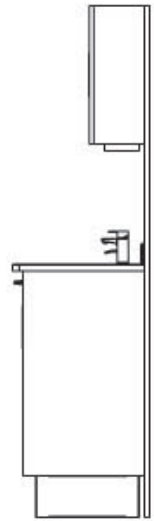
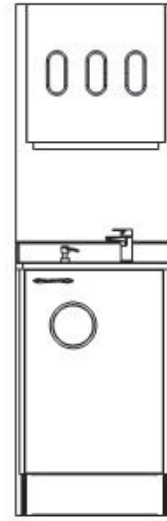
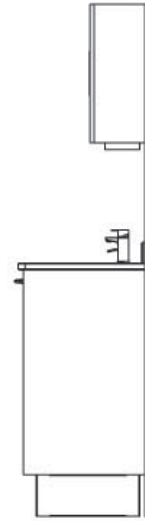
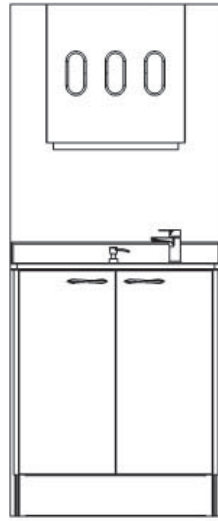
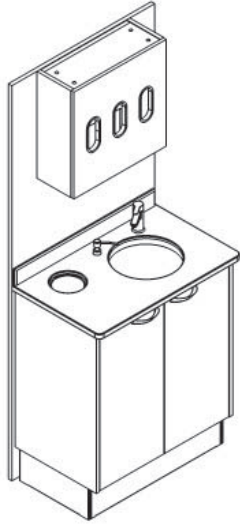
For custom laminate or solid surface colors please contact Customer Service for availability, pricing and lead times

Step 4 Configure Your T-Wall Cabinet

| | | |
|---|-------|----------|
| S Solid Surface Counter Top | | N/C |
| S Under Counter Mounted Stainless Steel Sink | | N/C |
| S Chrome Faucet & Soap Dispenser | | N/C |
| S Structural Powder Coated Steel Sub Base | | N/C |
| S Soft Close Drawers and Doors | | N/C |
| S Stainless Waste Drop with Trash Bin | | N/C |
| <input type="checkbox"/> Tapmaster Handsfree Faucet Control | 1555E | \$680.00 |
| <input type="checkbox"/> Undermount Sharps and Waste Drop (in lieu of Stainless Waste Drop and Trash Bin) | 6804E | \$470.00 |
| <input type="checkbox"/> Delete Sink | 68956 | -\$70.00 |
| <input type="checkbox"/> Delete Faucet | 68957 | -\$50.00 |
| <input type="checkbox"/> Delete Soap Dispenser | 68958 | -\$20.00 |
| <input type="checkbox"/> Delete Stainless Waste Drop, Trash Bin and Cutout | 68959 | -\$40.00 |
| <input type="checkbox"/> Delete Trash Cutout for TW4012 only | 69000 | N/C |

Cabinets will be manufactured with Standard Features if no options are indicated when order is placed.

Series 4 36" Tall, 17" Deep T-Wall Cabinets



TW4110

Series 4 36" Tall, 30.5" Wide, 17" Deep T-Wall

TW4112

Series 4 336" Tall, 22.75" Wide, 17" Deep T-Wall

S - Standard Features - Select Your Option

| Part Number | Retail Price | TOTAL |
|-------------|--------------|-------|
|-------------|--------------|-------|

Step 1 Select Your Side Cabinet Model

| | | | | | |
|---|--------------------------|-----------------------|--------|------------|--|
| Series 4 36" Tall, 30.5" Wide, 17" Deep T-Wall | <input type="checkbox"/> | Waste Drop Left | TW4110 | \$3,700.00 | |
| | <input type="checkbox"/> | Waste Drop Right | TW4111 | \$3,700.00 | |
| Series 4 36" Tall, 22.75" Wide, 17" Deep T-Wall | <input type="checkbox"/> | Waste Drop Front Left | TW4112 | \$3,420.00 | |

Step 2 Configure Your Upper

| | | | |
|--------------------------|--|-----------|---------|
| <input type="checkbox"/> | 20" Tall Glove, Cup + Towel Dispenser (Standard) | 68331-20T | N/C |
| <input type="checkbox"/> | 24" Tall Glove, Cup + Towel Dispenser | 68331-24T | \$50.00 |
| <input type="checkbox"/> | 30" Tall Glove, Cup + Towel Dispenser | 68331-30T | \$70.00 |

Step 3 Select Your Cabinet Colors (See colors @dciedge.com/request-samples)

| | | | |
|--------------------------|--|--|-----|
| <input type="checkbox"/> | Wilsonart Laminate for Vertical Surfaces | | N/C |
| <input type="checkbox"/> | Wilsonart Solid Surface Countertop Selection | | N/C |

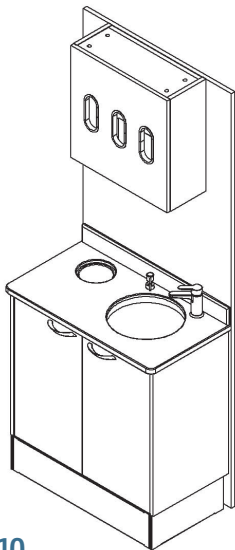
For custom laminate or solid surface colors please contact Customer Service for availability, pricing and lead times

Step 4 Configure Your Side Cabinet

| | | | |
|-------------------------------------|--|-------|----------|
| <input checked="" type="checkbox"/> | Solid Surface Counter Top | | N/C |
| <input checked="" type="checkbox"/> | Under Counter Mounted Stainless Steel Sink | | N/C |
| <input checked="" type="checkbox"/> | Chrome Faucet & Soap Dispenser | | N/C |
| <input checked="" type="checkbox"/> | Structural Powder Coated Steel Sub Base | | N/C |
| <input checked="" type="checkbox"/> | Soft Close Drawers and Doors | | N/C |
| <input checked="" type="checkbox"/> | Stainless Waste Drop with Trash Bin | | N/C |
| <input checked="" type="checkbox"/> | Tapmaster Handsfree Faucet Control | 1555E | \$680.00 |
| <input type="checkbox"/> | Undermount Sharps and Waste Drop (in lieu of Stainless Waste Drop and Trash Bin) | 6804E | \$470.00 |
| <input type="checkbox"/> | Delete Sink | 68956 | -\$70.00 |
| <input type="checkbox"/> | Delete Faucet | 68957 | -\$50.00 |
| <input type="checkbox"/> | Delete Soap Dispenser | 68958 | -\$20.00 |
| <input type="checkbox"/> | Delete Stainless Waste Drop, Trash Bin and Cutout | 68959 | -\$40.00 |
| <input type="checkbox"/> | Delete Trash Cutout for TW4112 only | 69000 | N/C |

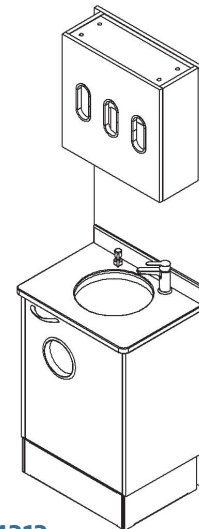
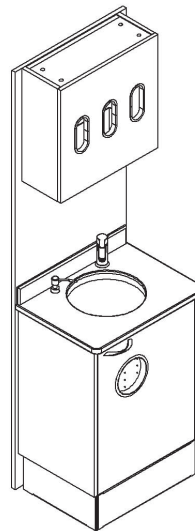
Cabinets will be manufactured with Standard Features if no options are indicated when order is placed.

Series 4 32" Tall, 15" Deep" T-Wall Cabinets



TW4210

Series 4 32" Tall, 30.5" Wide, 15" Deep T-Wall



TW4212

Series 4 32" Tall, 22.75" Wide, 15" Deep T-Wall

S - Standard Features - Select Your Option

| Part Number | Retail Price | TOTAL |
|-------------|--------------|-------|
|-------------|--------------|-------|

Step 1 Select Your Side Cabinet Model

| | | | | | |
|---|--------------------------|-----------------------|--------|------------|--|
| Series 4 32" Tall, 30.5" Wide, 15" Deep T-Wall | <input type="checkbox"/> | Waste Drop Left | TW4210 | \$3,560.00 | |
| | <input type="checkbox"/> | Waste Drop Right | TW4211 | \$3,560.00 | |
| Series 4 32" Tall, 22.75" Wide, 15" Deep T-Wall | <input type="checkbox"/> | Waste Drop Front Left | TW4212 | \$3,280.00 | |

Step 2 Configure Your Upper

| | | | |
|--------------------------|--|-----------|---------|
| <input type="checkbox"/> | 20" Tall Glove, Cup + Towel Dispenser (Standard) | 68331-20T | N/C |
| <input type="checkbox"/> | 24" Tall Glove, Cup + Towel Dispenser | 68331-24T | \$50.00 |
| <input type="checkbox"/> | 30" Tall Glove, Cup + Towel Dispenser | 68331-30T | \$70.00 |

Step 3 Select Your Cabinet Colors (See colors dciedge.com/request-samples)

| | | | |
|--------------------------|--|--|-----|
| <input type="checkbox"/> | Wilsonart Laminate for Vertical Surfaces | | N/C |
| <input type="checkbox"/> | Wilsonart Solid Surface Countertop Selection | | N/C |

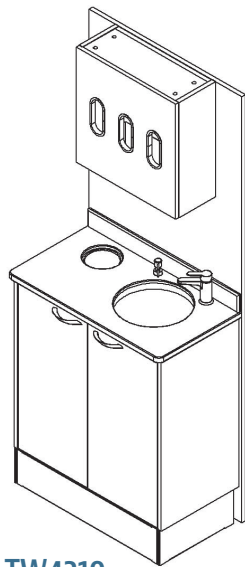
For custom laminate or solid surface colors please contact Customer Service for availability, pricing and lead times

Step 4 Configure Your T-Wall Cabinet

| | | | |
|--------------------------|--|-------|----------|
| S | Solid Surface Counter Top | | N/C |
| S | Under Counter Mounted Stainless Steel Sink | | N/C |
| S | Chrome Faucet & Soap Dispenser | | N/C |
| S | Structural Powder Coated Steel Sub Base | | N/C |
| S | Soft Close Drawers and Doors | | N/C |
| S | Stainless Waste Drop with Trash Bin | | N/C |
| <input type="checkbox"/> | Tapmaster Handsfree Faucet Control | 1555E | \$680.00 |
| <input type="checkbox"/> | Undermount Sharps and Waste Drop (in lieu of Stainless Waste Drop and Trash Bin) | 6804E | \$470.00 |
| <input type="checkbox"/> | Delete Sink | 68956 | \$-70.00 |
| <input type="checkbox"/> | Delete Faucet | 68957 | \$-50.00 |
| <input type="checkbox"/> | Delete Soap Dispenser | 68958 | \$-20.00 |
| <input type="checkbox"/> | Delete Stainless Waste Drop, Trash Bin and Cutout | 68959 | \$-40.00 |
| <input type="checkbox"/> | Delete Trash Cutout for TW4212 only | 69000 | N/C |

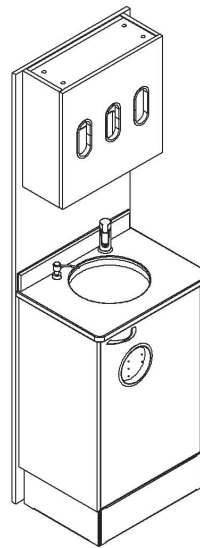
Cabinets will be manufactured with Standard Features if no options are indicated when order is placed.

Series 4 36" Tall, 15" Deep T-Wall Cabinets



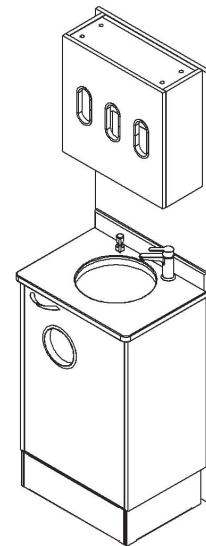
TW4310

Series 4 36" Tall, 30.5" Wide, 15" Deep T-Wall



TW4312

Series 4 36" Tall, 22.75" Wide, 15" Deep T-Wall



S - Standard Features - Select Your Option

| Part Number | Retail Price | TOTAL |
|-------------|--------------|-------|
|-------------|--------------|-------|

Step 1 Select Your Side Cabinet Model

| | | | | | |
|---|--------------------------|-----------------------|--------|------------|--|
| Series 4 36" Tall, 30.5" Wide, 15" Deep T-Wall | <input type="checkbox"/> | Waste Drop Left | TW4310 | \$3,650.00 | |
| | <input type="checkbox"/> | Waste Drop Right | TW4311 | \$3,650.00 | |
| Series 4 36" Tall, 22.75" Wide, 15" Deep T-Wall | <input type="checkbox"/> | Waste Drop Front Left | TW4312 | \$3,370.00 | |

Step 2 Configure Your Upper

| | | | |
|--------------------------|--|-----------|---------|
| <input type="checkbox"/> | 20" Tall Glove, Cup + Towel Dispenser (Standard) | 68331-20T | N/C |
| <input type="checkbox"/> | 24" Tall Glove, Cup + Towel Dispenser | 68331-24T | \$50.00 |
| <input type="checkbox"/> | 30" Tall Glove, Cup + Towel Dispenser | 68331-30T | \$70.00 |

Step 3 Select Your Cabinet Colors (See colors dciedge.com/request-samples)

| | | | |
|--------------------------|--|--|-----|
| <input type="checkbox"/> | Wilsonart Laminate for Vertical Surfaces | | N/C |
| <input type="checkbox"/> | Wilsonart Solid Surface Countertop Selection | | N/C |

For custom laminate or solid surface colors please contact Customer Service for availability, pricing and lead times

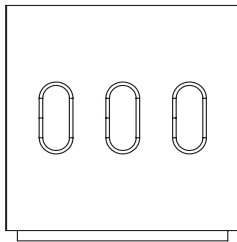
Step 4 Configure Your T-Wall Cabinet

| | | | |
|-------------------------------------|--|-------|----------|
| <input checked="" type="checkbox"/> | Solid Surface Counter Top | | N/C |
| <input checked="" type="checkbox"/> | Under Counter Mounted Stainless Steel Sink | | N/C |
| <input checked="" type="checkbox"/> | Chrome Faucet & Soap Dispenser | | N/C |
| <input checked="" type="checkbox"/> | Structural Powder Coated Steel Sub Base | | N/C |
| <input checked="" type="checkbox"/> | Soft Close Drawers and Doors | | N/C |
| <input checked="" type="checkbox"/> | Stainless Waste Drop with Trash Bin | | N/C |
| <input type="checkbox"/> | Tapmaster Handsfree Faucet Control | 1555E | \$680.00 |
| <input type="checkbox"/> | Undermount Sharps and Waste Drop (in lieu of Stainless Waste Drop and Trash Bin) | 6804E | \$470.00 |
| <input type="checkbox"/> | Delete Sink | 68956 | -\$70.00 |
| <input type="checkbox"/> | Delete Faucet | 68957 | -\$50.00 |
| <input type="checkbox"/> | Delete Soap Dispenser | 68958 | -\$20.00 |
| <input type="checkbox"/> | Delete Stainless Waste Drop, Trash Bin and Cutout | 68959 | -\$40.00 |
| <input type="checkbox"/> | Delete Trash Cutout for TW4312 only | 69000 | N/C |

Cabinets will be manufactured with Standard Features if no options are indicated when order is placed.

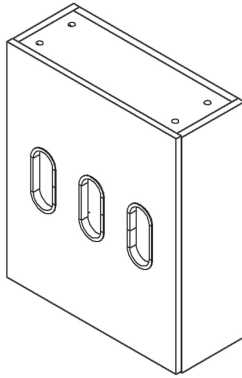
Wall Light Housing Cabinet With Glove & Towel Dispenser

Space saving design houses Wall Light transformer and mounting board while providing Glove and Towel Dispensers.

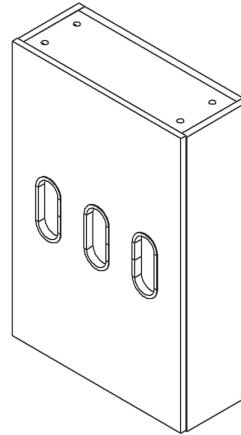


68331-20

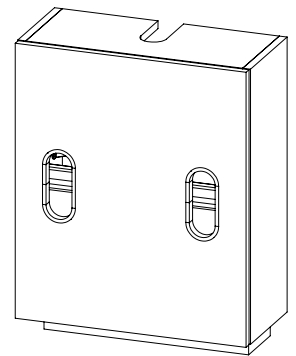
* Replaces PN 68331



68331-24



68331-30



CS1LIGHTGLOVE

S - Standard Features - Select Your Option

| | | Part Number | Retail Price | TOTAL |
|---|--------------------------|---------------|--------------|-------|
| Step 1 Select Your Wall Mount Light Cabinet | | | | |
| Wall Light Housing Cabinet w/Glove & Towel (24" x 9.5" x 20.5") | <input type="checkbox"/> | CS1LIGHTGLOVE | \$810.00 | |
| 20" Tall Glove, Cup + Towel Dispenser (20" x 8" x 20") | <input type="checkbox"/> | 68331-20 | \$810.00 | |
| 24" Tall Glove, Cup + Towel Dispenser (24" x 8" x 20") | <input type="checkbox"/> | 68331-24 | \$840.00 | |
| 30" Tall Glove, Cup + Towel Dispenser (30" x 8" x 20") | <input type="checkbox"/> | 68331-30 | \$870.00 | |

Step 2 Select Your Cabinet Colors (See colors [dciedge.com/request-samples](https://www.dciedge.com/request-samples))

| | | | | |
|--|--------------------------|--|----------|--|
| Wilsonart Laminate for Vertical Surfaces | <input type="checkbox"/> | | Included | |
|--|--------------------------|--|----------|--|

* For custom laminate or solid surface colors please contact Customer Service for availability, pricing and lead times

* For additional Upper Storage options contact your DCI Edge Regional Sales Manager and request a quote.

Sterilization Center

Sterilize with Style

With DCI Edge, you can create a Sterilization Center that fits the needs of your practice. All options feature a process based flow, to keep your productivity high and your risk extremely low.



Receiving, Cleaning
& Decontamination



Preparation
& Packaging



Sterilization



Sterile Storage
& Make Ready

For Sterilization Centers or Custom Cabinet Configurations contact your DCI Edge Regional Sales Manager and request a quote.

Standard Features

Solid surface counter & tower slides

Undermount stainless steel sink & single integrated drainboards

Instrument sterilization workflow designed to follow CDC guidelines

Soap dispenser and pull down spray faucet

Waterproof material used in sink module and sterilization tower to guarantee protection

Two pull out & flip down drawers for extra space to wrap cassettes

Steel 6" subbase on all modules

Available Upgrades

Factory installed VistaPure™ Water Purification System for optimal dental sterilization

Dual electrical outlets with Air QD to connect accessories

Storage with red and blue lighting, and LED task lighting

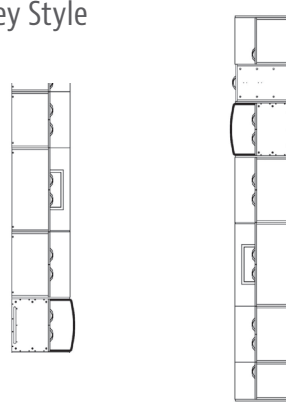
Infinity Edge solid surface countertops

Tapmaster to operate sink

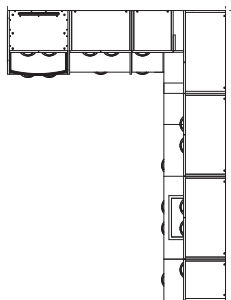
Straight Run



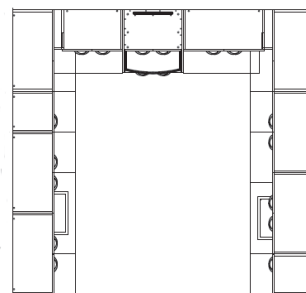
Galley Style



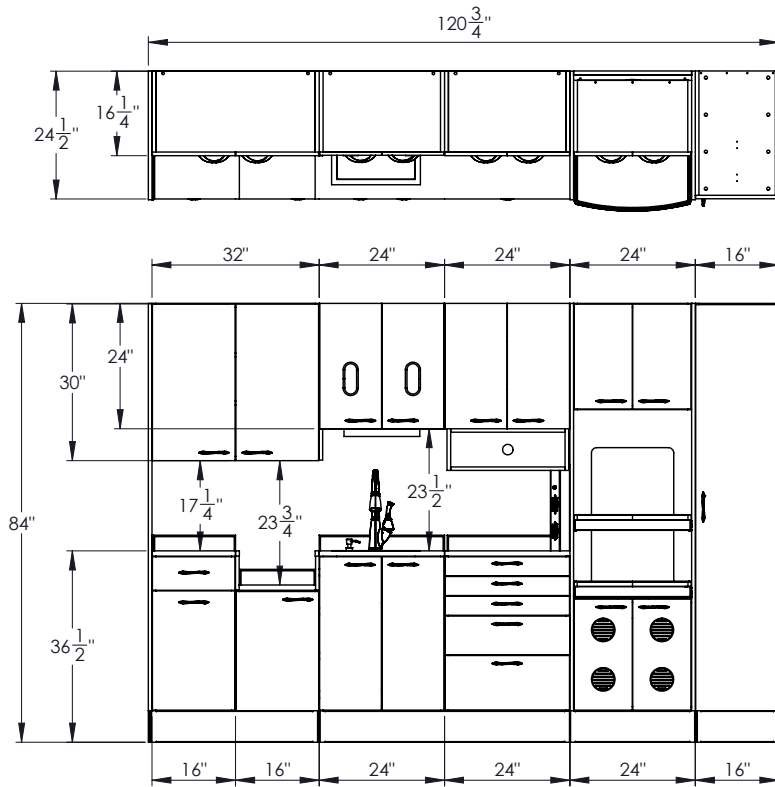
L Shape



U Shape



Series 4 10-foot Sterilization Cabinet



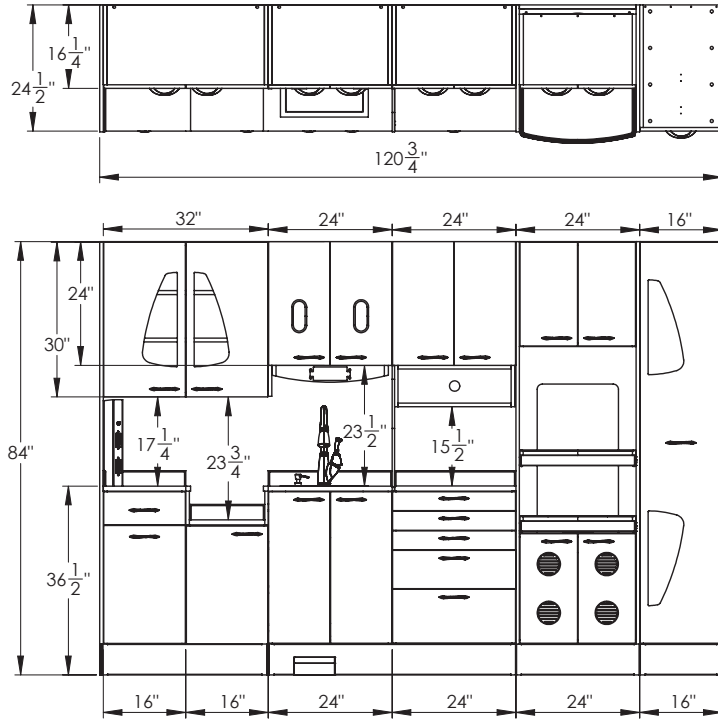
| | | |
|-------------|---------------|-------------|
| CS4 10ft | Module Price | \$21,820.00 |
| | Options Price | \$0.00 |
| | | \$21,820.00 |

In some configurations, end panels are used. Each panel will add to the length by .69" or 17.5mm.

| | Width |
|---|--------------------|
| Example - Modules 10' Series 4 Sterilization Cabinet | |
| Waste Module w/1 Drawer - 1 Pullout Bin | 16 |
| Ultrasonic Drop Down w/ Door | 16 |
| Sink Module | 24 |
| Sink Basin | 19 |
| Wrapping Station Module | 24 |
| Sterilization Tower- 1 Large 1 Cassette | 24 |
| Hinged Sterile Storage Module | 16 |
| 30" Tall Upper Door Module | 32 |
| 24" Tall Upper Door Module w/ Glove & Towel | 24 |
| Total Module Price | \$21,820.00 |

For Sterilization Centers or Custom Cabinet Configurations contact your DCI Edge Regional Sales Manager and request a quote.

Series 5 10-foot Sterilization Cabinet



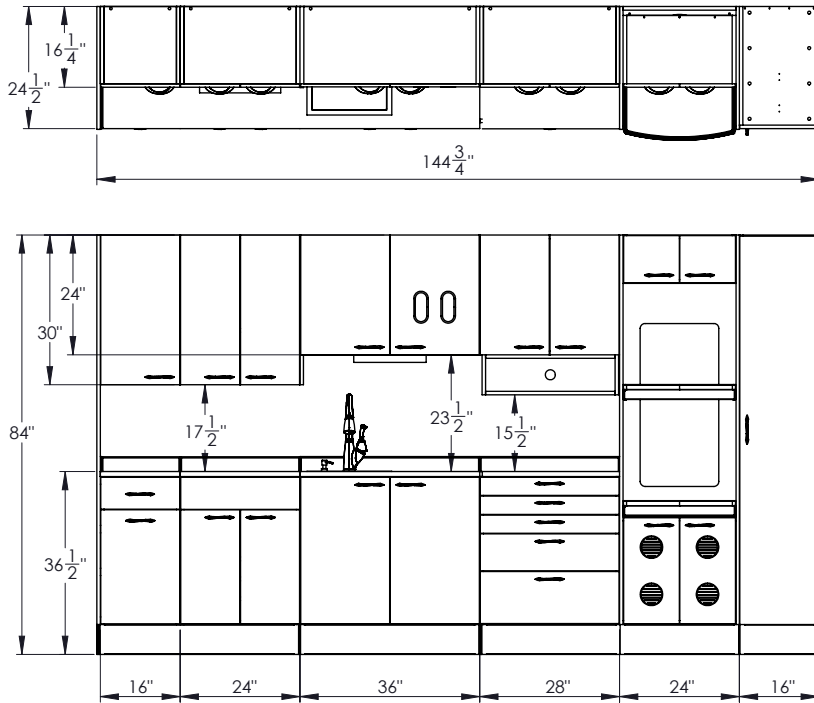
| | | |
|---------------------|---------------|--------------------|
| CS5 10ft | Module Price | \$25,300.00 |
| | Options Price | \$10,590.00 |
| | | \$35,890.00 |

In some configurations, end panels are used. Each panel will add to the length by .69" or 17.5mm.

| | Width |
|---|--------------------|
| Example - Modules 10' Series 5 Sterilization Cabinet | |
| Waste Module w/1 Drawer - 1 Pullout Bin | 16 |
| Ultrasonic Drop Down w/ Door | 16 |
| Sink Module | 24 |
| Sink Basin | 19 |
| Wrapping Station Module w/ Divider | 24 |
| Sterilization Tower- 1 Large 1 Cassette | 24 |
| Pull Out Sterile Storage Module w/ Blue Lights | 16 |
| 30" Tall Upper Door Module w/Red Lights | 32 |
| 24" Tall Upper Door Module w/ Clock Module and Glove/Towel | 24 |
| Total Module Price | \$25,300.00 |

| | Part Number | Qty | Retail |
|---|-------------|-----|--------------------|
| Upgrade Options Shown 10' Series 5 Sterilization Cabinet | | | |
| Infinity Edge Countertop | CS70000 | 1 | \$310.00 |
| Corner Electric Outlets & Air Quick Connect | CS70003 | 1 | \$670.00 |
| Task Lighting | CS70004 | 1 | \$1,690.00 |
| Tapmaster | CS70002 | 1 | \$730.00 |
| Glass Cutouts on Upper Doors (includes 1 door) | CS70005 | 2 | \$560.00 |
| Glass Cutouts for Clean Storage Door (2 glass panel, 1 door) | CS70006 | 1 | \$560.00 |
| Vacuum QD Valve, Sink Mounted | CS70007 | 1 | \$190.00 |
| VistaPure Water Filtration System | CS70020 | 1 | \$4,540.00 |
| VistaCool Single Autoclave | CS70023 | 1 | \$1,340.00 |
| Total Options Price | | | \$10,590.00 |

Series 4 12-foot Sterilization Cabinet



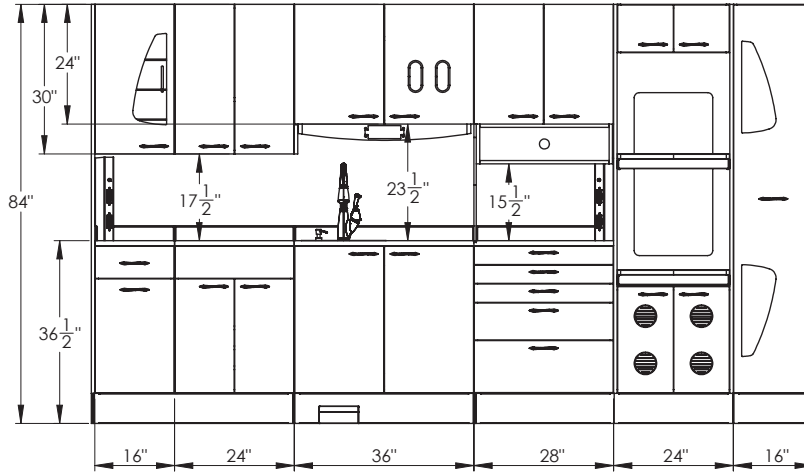
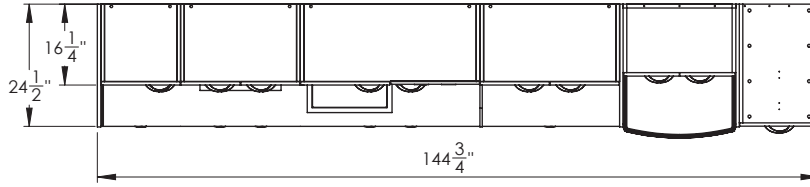
| | | |
|---------------------|---------------|-------------|
| CS4 12ft | Module Price | \$23,370.00 |
| | Options Price | \$0.00 |
| | | \$23,370.00 |

In some configurations, end panels are used. Each panel will add to the length by .69" or 17.5mm.

| | Width |
|---|--------------------|
| Example - Modules 12' Series 4 Sterilization Cabinet | |
| Waste Module w/1 Drawer - 1 Pullout Bin | 16 |
| Ultrasonic Recessed w/ Door | 24 |
| Sink Module | 36 |
| Sink Basin | 19 |
| Wrapping Station Module | 28 |
| Sterilization Tower- 2 Large | 24 |
| Hinged Sterile Storage Module | 16 |
| 30" Tall Upper Door Module | 16 |
| 30" Tall Upper Door Module | 24 |
| 24" Tall Upper Door Module w/ Glove & Towel | 36 |
| Total Module Price | \$23,370.00 |

For Sterilization Centers or Custom Cabinet Configurations contact your DCI Edge Regional Sales Manager and request a quote.

Series 5 12-foot Sterilization Cabinet

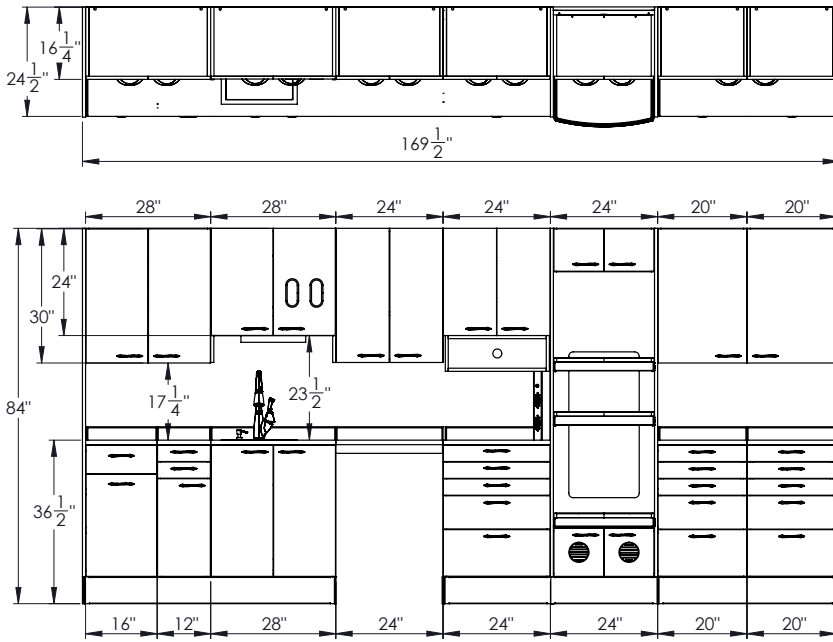


| | | |
|-------------|---------------|-------------|
| CS5 12ft | Module Price | \$26,850.00 |
| | Options Price | \$11,340.00 |
| | | \$38,190.00 |

In some configurations, end panels are used. Each panel will add to the length by .69" or 17.5mm.

| | | Width | |
|---|--------------------|--------------------|---------------|
| Example - Modules 12' Series 5 Sterilization Cabinet | | | |
| Waste Module w/1 Drawer - 1 Pullout Bin | | 16 | |
| Ultrasonic Recessed w/ Door | | 24 | |
| Sink Basin | | 19 | |
| Sink Module | | 36 | |
| Wrapping Station Module w/ Divider | | 28 | |
| Sterilization Tower- 2 Large | | 24 | |
| Pull Out Sterile Storage Module w/Blue Lights | | 16 | |
| 30" Tall Upper Door Module w/Red Lights | | 16 | |
| 30" Tall Upper Door Module | | 24 | |
| 24" Tall Upper Door Module w/ Clock Module and Glove/Towel | | 36 | |
| Total Module Price | | \$26,850.00 | |
| | Part Number | Qty | Retail |
| Upgrade Options Shown 12' Series 5 Sterilization Cabinet | | | |
| Infinity Edge Countertop | CS70000 | 1 | \$310.00 |
| Corner Electric Outlets & Air Quick Connect | CS70003 | 2 | \$1,340.00 |
| Task Lighting | CS70004 | 1 | \$1,690.00 |
| Glass Cutouts on Upper Doors (includes 1 door) | CS70005 | 1 | \$280.00 |
| Tapmaster | CS70002 | 1 | \$730.00 |
| Glass Cutouts for Clean Storage Door (2 glass panel, 1 door) | CS70006 | 1 | \$560.00 |
| Vacuum QD Valve, Sink Mounted | CS70007 | 1 | \$190.00 |
| VistaPure Water Filtration System | CS70020 | 1 | \$4,540.00 |
| VistaCool Double Autoclave | CS70025 | 1 | \$1,700.00 |
| Total Options Price | | \$11,340.00 | |

Series 4 14-foot Sterilization Cabinet



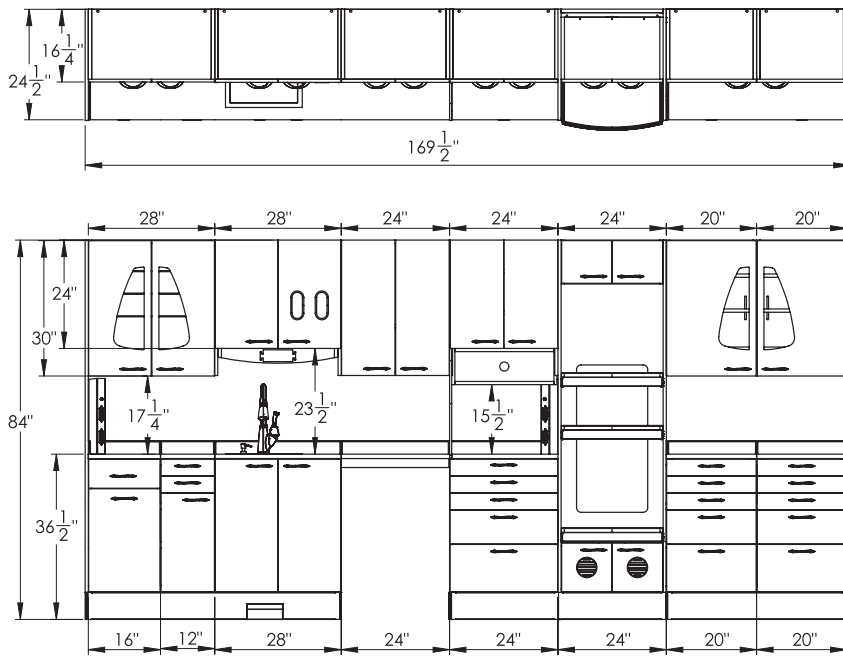
In some configurations, end panels are used. Each panel will add to the length by .69" or 17.5mm.

| | | |
|-------------|---------------|-------------|
| CS4 14ft | Module Price | \$25,800.00 |
| | Options Price | \$0.00 |
| | | \$25,800.00 |

| | | Width |
|---|---------------------------|--------------------|
| Example - Modules 14' Series 4 Sterilization Cabinet | | |
| Waste Module w/1 Drawer - 1 Pullout Bin | | 16 |
| Dual Drawer, Single Door Module | | 12 |
| Sink Module | | 28 |
| Sink Basin | | 19 |
| Large Washer | | 24 |
| Wrapping Station Module | | 24 |
| Sterilization Tower- 1 Large, 1 Cassette, 1 Large | | 24 |
| Make Ready Tower (2) | | 20 |
| 30" Tall Upper Door Module | | 28 |
| 30" Tall Upper Door Module | | 24 |
| 24" Tall Upper Door Module w/Glove & Towel | | 28 |
| | Total Module Price | \$25,800.00 |

For Sterilization Centers or Custom Cabinet Configurations contact your DCI Edge Regional Sales Manager and request a quote.

Series 5 14-foot Sterilization Cabinet



| | | |
|-------------|---------------|-------------|
| CS5 14ft | Module Price | \$26,130.00 |
| | Options Price | \$11,620.00 |
| | | \$37,750.00 |

In some configurations, end panels are used. Each panel will add to the length by .69" or 17.5mm.

| | | Width |
|---|--------------------|--------------------|
| Example - Modules 14' Series 5 Sterilization Cabinet | | |
| Waste Module w/1 Drawer - 1 Pullout Bin | | 16 |
| Dual Drawer, Single Door Module | | 12 |
| Sink Module | | 28 |
| Sink Basin | | 19 |
| Large Washer | | 24 |
| Wrap Station Module w/ Divider | | 24 |
| Sterilization Tower- 1 Large, 1 Cassette, 1 Large | | 24 |
| Make Ready Tower w/Blue Lights | | 20 |
| Make Ready Tower w/ Blue Lights | | 20 |
| 30" Tall Upper Door Module w/Red Lights | | 28 |
| 24" Tall Upper Door Module w/ Clock Module and Glove/Towel | | 28 |
| 30" Tall Upper Door Module | | 24 |
| Total Module Price | | \$26,130.00 |
| | Part Number | Qty |
| | Retail | |

| Upgrade Options Shown 14' Series 5 Sterilization Cabinet | | | |
|---|---------|---|--------------------|
| Infinity Edge Countertop | CS70000 | 1 | \$310.00 |
| Corner Electric Outlets & Air Quick Connect | CS70003 | 2 | \$1,340.00 |
| Task Lighting | CS70004 | 1 | \$1,690.00 |
| Tapmaster | CS70002 | 1 | \$730.00 |
| Glass Cutouts on Upper Doors (includes 1 door) | CS70005 | 4 | \$1,120.00 |
| Vacuum QD Valve, Sink Mounted | CS70007 | 1 | \$190.00 |
| VistaPure Water Filtration System | CS70020 | 1 | \$4,540.00 |
| VistaCool Double Autoclave | CS70025 | 1 | \$1,700.00 |
| Total Option Price | | | \$11,620.00 |

SPECIALTY EQUIPMENT AND CABINETS



Ortho Chairs



Flat Headrest



Ponytail Headrest



V Headrest

FEATURES

The DCI Edge Series 4 Fixed Base Ortho Chair is equipped with a solid steel base to ensure maximum stability.

The Integrated Foot Switch with preprogrammed positions and auto exit makes positioning your patients quick and easy.

* ErgoBack Asepsis Upholstery

| S - Standard Features <input type="checkbox"/> - Select Your Option | | Part Number | Retail Price | TOTAL |
|--|---|-------------|--------------|-------|
| Step 1 Select Your Chair | | | | |
| <input type="checkbox"/> | Ortho Chair, Fixed Base w/ Adjustable Back | C1050 | \$4,500.00 | |
| Step 2 Select Your Backstyle | | | | |
| <input type="checkbox"/> | ErgoBack Asepsis | 41171 | N/C | |
| <input type="checkbox"/> | Narrow Back Asepsis | 41170 | N/C | |
| Step 3 Select Your Upholstery Type (See colors dciedge.com/request-samples) | | | | |
| <input type="checkbox"/> | Naugasoft Upholstery | 54631 | N/C | |
| <input type="checkbox"/> | Ultraleather® Upholstery | 54632 | \$725.00 | |
| <input type="checkbox"/> | Non-Standard Upholstery Upcharge per Chair* | 54644 | \$190.00 | |
| Step 4 Select Your Headrest | | | | |
| <input type="checkbox"/> | Flat Headrest | 41909 | N/C | |
| <input type="checkbox"/> | Pony Tail Headrest | 41908 | N/C | |
| <input type="checkbox"/> | V Headrest | 41910 | N/C | |
| <input type="checkbox"/> | Dual Articulating Headrest | 41907 | N/C | |
| Step 5 Configure Your Chair | | | | |
| S | Foot Switch with back trim controls, Auto Exit & Pre Program | | Included | |
| S | Dual 120 Volt Outlet | | Included | |
| S | 1 Spacer to Adjust Chair Height 1.5" | | Included | |
| <input type="checkbox"/> | Add Extra Spacer (1.5") *Can accommodate max of 2 total | 41143 | \$210.00 | |
| <input type="checkbox"/> | Optional Fold out Arm Rests | 41144 | \$810.00 | |
| Step 6 Configure Your Light | | | | |
| S | No Light on Chair | | N/C | |
| <input type="checkbox"/> | Add Post Mount Series 5 Light (Gray) *Chair Adapter & Post Required | LP5050 | \$3,810.00 | |
| <input type="checkbox"/> | Add Post Mount Series 4 Light (Gray) *Chair Adapter & Post Required | LP4050 | \$3,200.00 | |
| <input type="checkbox"/> | Add Chair Adapter with Light Post & Bushing (Left) w/opening for monitor cable routing | 41145 | \$680.00 | |
| <input type="checkbox"/> | Add Chair Adapter with Light Post & Bushing (Right) w/opening for monitor cable routing | 41146 | \$680.00 | |
| | | | Sub-total | |
| | | | QTY | |
| | | | TOTAL | |

*Allow Additional 2 Weeks Above Standard Lead Time for all Non-Standard Upholstery. Manufacturer Part Number Required
Contact Customer Service to Confirm Availability

Ortho Cabinets



Free Standing Narrow Ortho Cabinet



Mobile Ortho Cabinet

S - Standard Features - Select Your Option

| | | | Part Number | Retail Price | TOTAL |
|---|--------------------------|-----------------------------|------------------|--------------|-------|
| Step 1 Select Your Cabinet | | | | | |
| Free Standing Ortho Cabinet Complete Steps 1, 2, 3, 4 & 5 | <input type="checkbox"/> | Right Handed Left Handed | CZ1451 CZ1450 | \$5,570.00 | |
| Free Standing Narrow Ortho Cabinet Complete Steps 1, 2, 3, 4 & 6 | <input type="checkbox"/> | Right Handed Left Handed | CZ1551 CZ1550 | \$5,150.00 | |
| Mobile Ortho Cabinet Complete Steps 1, 2, 3, 4 & 5 | <input type="checkbox"/> | Right Handed Left Handed | CZ1651 CZ1650 | \$5,570.00 | |
| Mobile Narrow Ortho Cabinet Complete Steps 1, 2, 3, 4 & 6 | <input type="checkbox"/> | Right Handed Left Handed | CZ1751 CZ1750 | \$5,150.00 | |

| | | Part Number | Retail Price | TOTAL |
|---|--------------------------|-------------|--------------|-------|
| Step 2 Select Cabinet Colors (See colors dciedge.com/request-samples) | | | | |
| Wilsonart Laminate for Vertical Surfaces | <input type="checkbox"/> | | Included | |
| Wilsonart Solid Surface Countertop | <input type="checkbox"/> | | Included | |

For custom laminate or solid surface colors please contact Customer Service for availability, pricing & lead times.

Standard Configuration



POSITION: 0 1 2 3 4

Step 3 Configure Your Control Head

| | (All tubings are Sterling. If nothing is selected - highlighted positions will be used) | Part Number | Holder Positions | | | | | | Retail Price | TOTAL |
|-------------------------------------|---|-------------|------------------|---|---|---|---|---|--------------|-------|
| | | | 0 | 1 | 2 | 3 | 4 | 5 | | |
| <input checked="" type="checkbox"/> | HVE & Tubing | | | | | | | | Included | |
| <input checked="" type="checkbox"/> | SE & Tubing | | | | | | | | Included | |
| <input checked="" type="checkbox"/> | DCI Precision Comfort Syringe and Tubing | | | | | | | | Included | |
| <input checked="" type="checkbox"/> | HP Tubing 4 Hole Asepsis | | | | | | | | Included | |
| <input type="checkbox"/> | HP Tubing ISO 5 Hole Power Optic & Bulb (Requires Light Source System) | 9446E | | | | | | | \$340.00 | |
| <input type="checkbox"/> | HP Tubing ISO-C 6 Pin Power Optic (Requires Light Source System) | 8904E | | | | | | | \$250.00 | |
| <input type="checkbox"/> | Extra One Button Syringe w/Holder (for Air), Ortho | 67065G | | | | | | | \$120.00 | |
| <input type="checkbox"/> | Extra HVE, Tubing and Holder, Ortho | 67064G | | | | | | | \$150.00 | |
| <input type="checkbox"/> | Deluxe Single HP Light Source System w/Transformer | 8404E | | | | | | | \$180.00 | |
| <input type="checkbox"/> | Deluxe Dual HP Light Source System w/Transformer | 9378E | | | | | | | \$190.00 | |
| <input checked="" type="checkbox"/> | Wet/Dry Foot Control | | | | | | | | Included | |
| <input type="checkbox"/> | Add scaler/chip air button to foot control | 4346E | | | | | | | \$100.00 | |
| <input type="checkbox"/> | Delete Control Head | 68032 | | | | | | | -\$690.00 | |

Step 4 Configure Your Water System and Utilities

Step 4A Configure Your Water System

| | | | | | | |
|-------------------------------------|---|--|--------|--|----------|--|
| <input checked="" type="checkbox"/> | Self-Contained Water System w/ Quick Switch 2L Bottle | | 8143QS | | Included | |
| <input checked="" type="checkbox"/> | Air/Water Quick Disconnect | | | | Included | |

Step 4B Configure your Junction Box and Utilities

| | | | | | | |
|-------------------------------------|---|--|-------|--|----------|--|
| <input checked="" type="checkbox"/> | Umbilical 5' | | | | Included | |
| <input checked="" type="checkbox"/> | Asepsis Utility Center and Valves | | | | Included | |
| <input type="checkbox"/> | Additional Umbilical Length Per Foot , includes sheath tubing - Qty:_____ | | 52758 | | \$70.00 | |

Step 5 Configure Your Standard Cabinet

Step 5A Configure Your Drawer Module

| | | | | | | |
|--------------------------|---|--|-------|--|-----|--|
| <input type="checkbox"/> | 2 Small Drawers, 1 Medium Drawer, 1 Deep Drawer | | 68465 | | N/C | |
| <input type="checkbox"/> | 4 Small Drawers, 1 Deep Drawer | | 68466 | | N/C | |
| <input type="checkbox"/> | 1 Keyboard Shelf, 3 Small Drawers, 1 Deep Drawer | | 69507 | | N/C | |
| <input type="checkbox"/> | 1 Keyboard Shelf, 1 Small Drawer, 1 Medium, 1 Deep Drawer | | 69508 | | N/C | |

Step 5B Configure your Options

| | | | | | | |
|--------------------------|---|--|-------|--|----------|--|
| <input type="checkbox"/> | Add Computer Package Upgrade (includes CPU Storage with Cooling Fan, Flat Screen Monitor Mount) | | 68469 | | \$630.00 | |
| <input type="checkbox"/> | Add Keyboard Tray | | 4825E | | \$340.00 | |
| <input type="checkbox"/> | Add Mouse Tray (Attached to Keyboard Tray) | | 4812E | | \$160.00 | |
| <input type="checkbox"/> | Delete Air/Water Quick Disconnect Door & Grommet | | 68635 | | N/C | |
| <input type="checkbox"/> | Add Dual Glove Dispenser | | 68470 | | \$320.00 | |
| <input type="checkbox"/> | Add Trash Can and Trash cutout (cannot be added with Computer Option) | | 68471 | | \$250.00 | |
| <input type="checkbox"/> | Add Sanitizer Wipe Holder | | 6822 | | \$30.00 | |

Step 6 Configure Your Narrow Cabinet

Step 6A Configure Your Drawer Module

| | | | | | | |
|--------------------------|---|--|-------|--|-----|--|
| <input type="checkbox"/> | 2 Small Drawers, 1 Medium Drawer, 1 Deep Drawer | | 68467 | | N/C | |
| <input type="checkbox"/> | 4 Small Drawers, 1 Deep Drawer | | 68468 | | N/C | |
| <input type="checkbox"/> | 1 Keyboard Shelf, 3 Small Drawers, 1 Deep Drawer | | 69509 | | N/C | |
| <input type="checkbox"/> | 1 Keyboard Shelf, 1 Small Drawer, 1 Medium, 1 Deep Drawer | | 69510 | | N/C | |

Step 6B Configure your Options

| | | | | | | |
|--------------------------|--|--|-------|--|----------|--|
| <input type="checkbox"/> | Add Computer Package Upgrade (includes mini CPU Storage with Cooling Fan, Flat Screen Monitor Mount) | | 68031 | | \$630.00 | |
| <input type="checkbox"/> | Add Keyboard Tray | | 4825E | | \$340.00 | |
| <input type="checkbox"/> | Add Mouse Tray (Attached to Keyboard Tray) | | 4812E | | \$160.00 | |
| <input type="checkbox"/> | Delete Air/Water Quick Disconnect Door & Grommet | | 68635 | | N/C | |
| <input type="checkbox"/> | Add Dual Glove Dispenser | | 68470 | | \$320.00 | |
| <input type="checkbox"/> | Add Sanitizer Wipe Holder | | 6822 | | \$30.00 | |
| <input type="checkbox"/> | Add Trash Can and Trash cutout (cannot be added with Computer Option) | | 68471 | | \$250.00 | |

Sub-total

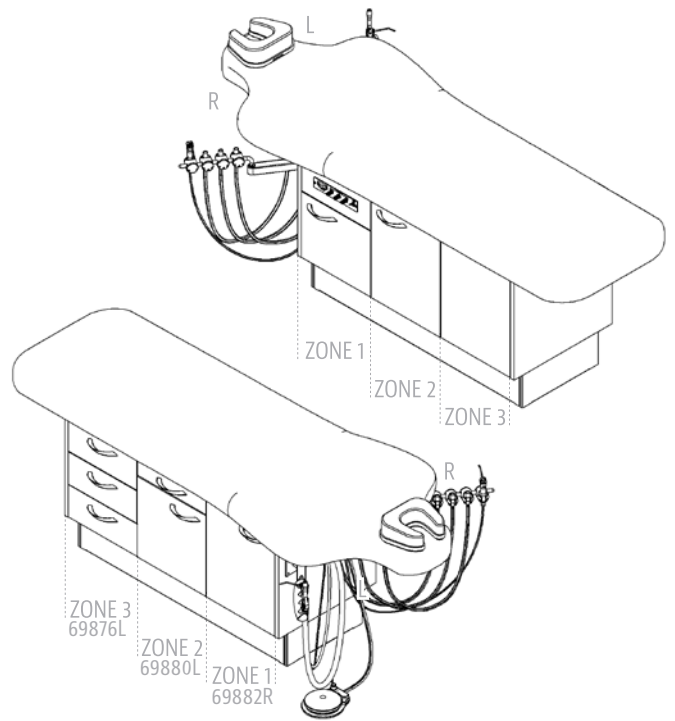
QTY

TOTAL

Pediatric Bench



Easily swap Doctor and Assistant's Instrumentation holders from left to right positioning.



S - Standard Features - Select Your Option

| | | Part Number | Retail Price | TOTAL |
|---|--------------------------|-------------|--------------|-------|
| Step 1 Select Your Pediatric Bench | | | | |
| Pediatric Bench | <input type="checkbox"/> | CP1000 | \$4,500.00 | |
| Step 2 Select Your Delivery Unit | | | | |
| Pediatric Bench Unit, Delivery System Kit (Right, requires 69882R module in zone 1) | <input type="checkbox"/> | 26454R | \$3,500.00 | |
| Pediatric Bench Unit, Delivery System Kit (Left, requires 69882L module in zone 1) | <input type="checkbox"/> | 26454L | \$3,500.00 | |
| No Pediatric Bench Unit | <input type="checkbox"/> | | N/C | |
| Step 3 Configure Your Pediatric Bench | | | | |
| Step 3A, Zone 1 | | | | |
| <input type="checkbox"/> 3 Drawer Module, Left Facing | | 69876L | N/C | |
| <input type="checkbox"/> 3 Drawer Module, Right Facing | | 69876R | N/C | |
| <input type="checkbox"/> 3 Drawer Module, 2 Small, 1 Large, Left Facing | | 69877L | N/C | |
| <input type="checkbox"/> 3 Drawer Module, 2 Small, 1 Large, Right Facing | | 69877R | N/C | |
| <input type="checkbox"/> Door Module, Single Door, Left Facing | | 69878L | N/C | |
| <input type="checkbox"/> Door Module, Single Door, Right Facing | | 69878R | N/C | |
| <input type="checkbox"/> Door Module, Pass Through, 2 Full Doors | | 69879 | N/C | |
| <input type="checkbox"/> Writing Shelf Module, Pass Through, Left Facing | | 69880L | N/C | |
| <input type="checkbox"/> Writing Shelf Module, Pass Through, Right Facing | | 69880R | N/C | |
| <input type="checkbox"/> Writing Shelf Module, Non-Pass Through, Left Facing | | 69881L | N/C | |
| <input type="checkbox"/> Writing Shelf Module, Non-Pass Through, Right Facing | | 69881R | N/C | |
| <input type="checkbox"/> Unit Module, Left Facing (See Step 2 for Unit Selection) | | 69882L | N/C | |
| <input type="checkbox"/> Unit Module, Right Facing (See Step 2 for Unit Selection) | | 69882R | N/C | |
| Step 3B, Zone 2 | | | | |
| <input type="checkbox"/> 3 Drawer Module, Left Facing | | 69876L | N/C | |
| <input type="checkbox"/> 3 Drawer Module, Right Facing | | 69876R | N/C | |
| <input type="checkbox"/> 3 Drawer Module, 2 Small, 1 Large, Left Facing | | 69877L | N/C | |
| <input type="checkbox"/> 3 Drawer Module, 2 Small, 1 Large, Right Facing | | 69877R | N/C | |

Step 3 Configure Your Pediatric Bench

| | | | |
|--------------------------|--|--------|-----|
| <input type="checkbox"/> | Door Module, Single Door, Left Facing | 69878L | N/C |
| <input type="checkbox"/> | Door Module, Single Door, Right Facing | 69878R | N/C |
| <input type="checkbox"/> | Writing Shelf Module, Pass Through, Left Facing | 69880L | N/C |
| <input type="checkbox"/> | Writing Shelf Module, Pass Through, Right Facing | 69880R | N/C |
| <input type="checkbox"/> | Writing Shelf Module, Non-Pass Through, Left Facing | 69881L | N/C |
| <input type="checkbox"/> | Writing Shelf Module, Non-Pass Through, Right Facing | 69881R | N/C |

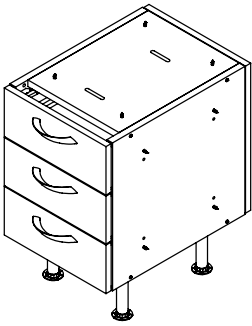
Step 3C, Zone 3

| | | | |
|--------------------------|--|--------|-----|
| <input type="checkbox"/> | 3 Drawer Module, Left Facing | 69876L | N/C |
| <input type="checkbox"/> | 3 Drawer Module, Right Facing | 69876R | N/C |
| <input type="checkbox"/> | 3 Drawer Module, 2 Small, 1 Large, Left Facing | 69877L | N/C |
| <input type="checkbox"/> | 3 Drawer Module, 2 Small, 1 Large, Right Facing | 69877R | N/C |
| <input type="checkbox"/> | Door Module, Single Door, Left Facing | 69878L | N/C |
| <input type="checkbox"/> | Door Module, Single Door, Right Facing | 69878R | N/C |
| <input type="checkbox"/> | Writing Shelf Module, Pass Through, Left Facing | 69880L | N/C |
| <input type="checkbox"/> | Writing Shelf Module, Pass Through, Right Facing | 69880R | N/C |
| <input type="checkbox"/> | Writing Shelf Module, Non-Pass Through, Left Facing | 69881L | N/C |
| <input type="checkbox"/> | Writing Shelf Module, Non-Pass Through, Right Facing | 69881R | N/C |

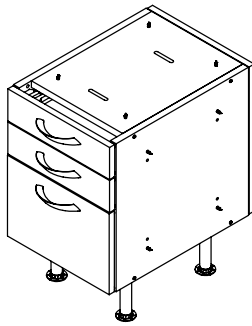
Step 4 Select Your Colors (See colors dciedge.com/request-samples)

| | | | |
|---|--------------------------|-------|----------|
| Wilsonart Laminate for Vertical Surfaces | <input type="checkbox"/> | | Included |
| Naugasoft Upholstery | <input type="checkbox"/> | 54631 | N/C |
| Ultraleather® Upholstery | <input type="checkbox"/> | 54632 | \$725.00 |
| Non-Standard Upholstery Upcharge per Chair* | <input type="checkbox"/> | 54644 | \$190.00 |

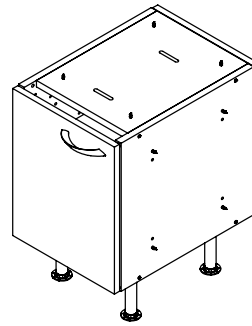
For custom laminate or upholstery colors please contact Customer Service for availability, pricing and lead times



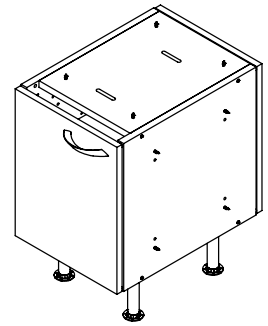
69876L / 69876R
3 EQUAL DRAWERS



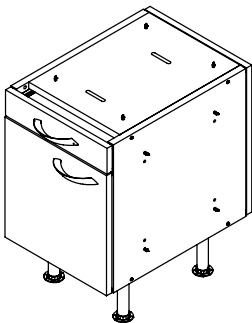
69877L / 69877R
2 SM 1 LG DRAWER



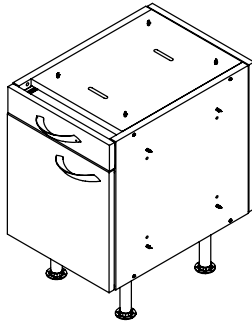
69878L
FULL DOOR



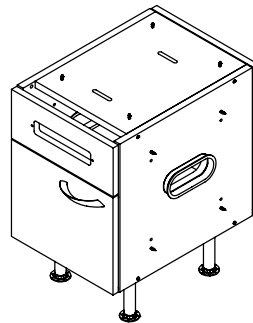
69879
PASS THRU
2 FULL DOORS



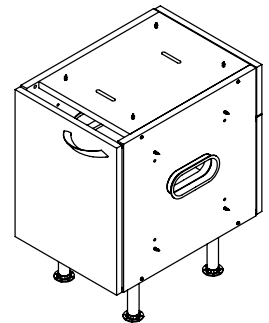
69880L
WRITING SHELF
WITH PASS THRU



69881L
WRITING SHELF



69882L
UNIT MODEL LEFT
WITH WIRE ACCESS

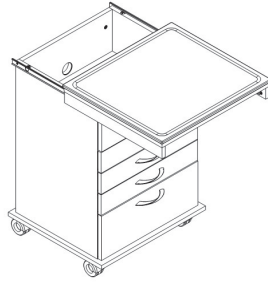


69882R
UNIT MODEL RIGHT
WITH WIRE ACCESS

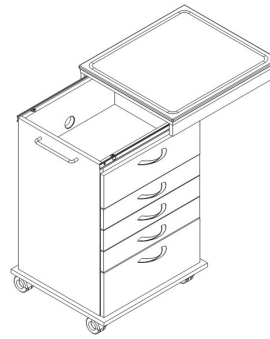
Mobile Carts



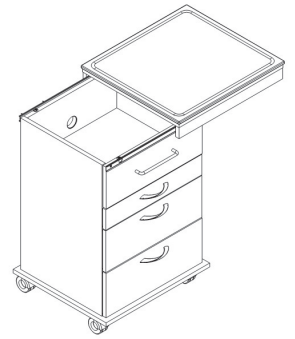
CK400-22



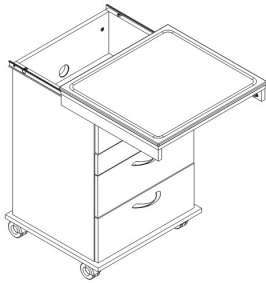
CK401-22



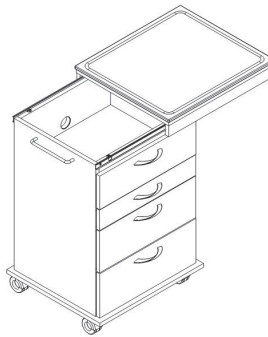
CK402-22



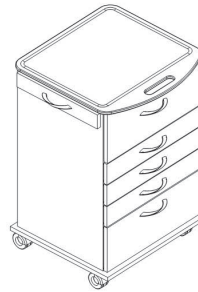
CK403-22



CK404-22



CK405-22



CK420-22



CK421-22



CK422-22



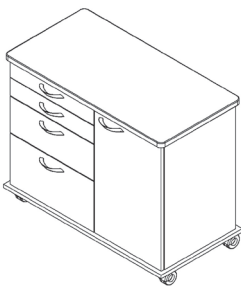
CK423-22



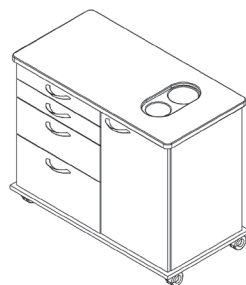
CK440-22



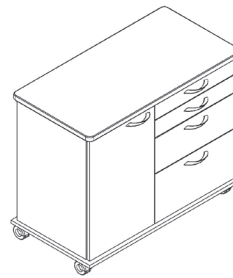
CK441-22



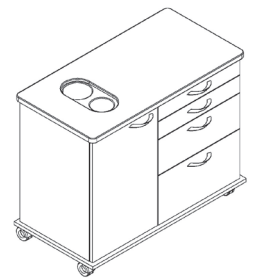
CK450



CK450-SH



CK451



CK451-SH

S - Standard Features - Select Your Option

| Part Number | Width | | Retail Price | TOTAL |
|-------------|-------|--|--------------|-------|
|-------------|-------|--|--------------|-------|

Step 1 Select Your Mobile Cart

| | | | | | | |
|--|--------------------------|----------|-------|---------------------|------------|--|
| Alabama Cart w/o Flip Down, 3 - 3.5" Drawers, 1 - 8" Drawer | <input type="checkbox"/> | CK400-22 | 22" | Left-Right Slide | \$2,250.00 | |
| | <input type="checkbox"/> | CK401-22 | 22.5" | Front-Back Slide | \$2,250.00 | |
| Alabama Cart w/o Flip Down, 1 - 3.5" Drawer, 1 - 7.5" Drawer, 1 - 8" Drawer | <input type="checkbox"/> | CK403-22 | 22" | Left-Right Slide | \$2,250.00 | |
| | <input type="checkbox"/> | CK404-22 | 22.5" | Front-Back Slide | \$2,250.00 | |
| Alabama Cart w/ Flip Down, 3 - 3.5" Drawers, 1 - 7.5" Drawer, 1 - 8" Drawer | <input type="checkbox"/> | CK402-18 | 18" | Left-Right Slide | \$2,190.00 | |
| | <input type="checkbox"/> | CK402-22 | 22" | | \$2,310.00 | |
| | <input type="checkbox"/> | CK402-26 | 26" | | \$2,430.00 | |
| Alabama Cart w/ Flip Down, 1 - 3.5" Drawer, 1 - 7.5" Drawer, 1 - 8" Drawer | <input type="checkbox"/> | CK405-18 | 18" | Left-Right Slide | \$2,190.00 | |
| | <input type="checkbox"/> | CK405-22 | 22" | | \$2,310.00 | |
| | <input type="checkbox"/> | CK405-26 | 26" | | \$2,430.00 | |
| North Carolina Cart w/ Pullout Flip Down, 3 - 3.5" Drawers, 1 - 8" Drawer | <input type="checkbox"/> | CK420-18 | 18" | Pullout Shelf Left | \$2,190.00 | |
| | <input type="checkbox"/> | CK420-22 | 22" | | \$2,310.00 | |
| | <input type="checkbox"/> | CK420-26 | 26" | | \$2,430.00 | |
| North Carolina Cart w/ Pullout Flip Down, 3 - 3.5" Drawers, 1 - 8" Drawer | <input type="checkbox"/> | CK421-18 | 18" | Pullout Shelf Right | \$2,190.00 | |
| | <input type="checkbox"/> | CK421-22 | 22" | | \$2,310.00 | |
| | <input type="checkbox"/> | CK421-26 | 26" | | \$2,430.00 | |
| North Carolina Cart w/ Pullout Flip Down, 1 - 3.5" Drawer, 1 - 7.5" Drawer, 1 - 8" Drawer | <input type="checkbox"/> | CK422-18 | 18" | Pullout Shelf Left | \$2,190.00 | |
| | <input type="checkbox"/> | CK422-22 | 22" | | \$2,310.00 | |
| | <input type="checkbox"/> | CK422-26 | 26" | | \$2,430.00 | |
| North Carolina Cart w/ Pullout Flip Down, 1 - 3.5" Drawer, 2 - 7.5" Drawer, 1 - 8" Drawer | <input type="checkbox"/> | CK423-18 | 18" | Pullout Shelf Right | \$2,190.00 | |
| | <input type="checkbox"/> | CK423-22 | 22" | | \$2,310.00 | |
| | <input type="checkbox"/> | CK423-26 | 26" | | \$2,430.00 | |
| Doctor's Cart 1 - 3.5" Drawers, 2 - 7.5" Drawer, 1 - 8" Drawer | <input type="checkbox"/> | CK440-18 | 18" | | \$2,140.00 | |
| | <input type="checkbox"/> | CK440-22 | 22" | | \$2,250.00 | |
| | <input type="checkbox"/> | CK440-26 | 26" | | \$2,370.00 | |
| Doctor's Cart 1 - 3.5" Drawer, 1 - 7.5" Drawer, 1 - 8" Drawer | <input type="checkbox"/> | CK441-18 | 18" | | \$2,140.00 | |
| | <input type="checkbox"/> | CK441-22 | 22" | | \$2,250.00 | |
| | <input type="checkbox"/> | CK441-26 | 26" | | \$2,370.00 | |
| Mobile Cart 20" Wide - 4 Drawer Module Left, 16" Wide - Door Module Right | <input type="checkbox"/> | CK450 | 37.5" | No Sharps | \$3,480.00 | |
| | <input type="checkbox"/> | CK450-SH | 37.5" | Sharps Right | \$3,940.00 | |
| Mobile Cart 20" Wide - 4 Drawer Module Right, 16" Wide - Door Module Left | <input type="checkbox"/> | CK451 | 37.5" | No Sharps | \$3,480.00 | |
| | <input type="checkbox"/> | CK451-SH | 37.5" | Sharps Left | \$3,940.00 | |

Step 2 Configure Your Mobile Cart

| | | | | | | |
|---------------------------|--------------------------|------|--|-----|---------|--|
| Add Sanitizer Wipe Holder | <input type="checkbox"/> | 6822 | | N/A | \$30.00 | |
|---------------------------|--------------------------|------|--|-----|---------|--|

Step 3 Select Your Cabinet Colors (See colors @dciedge.com/request-samples)

| | | | | | | |
|--|--------------------------|--|--|-----|--|--|
| Wilsonart Laminate for Vertical Surfaces | <input type="checkbox"/> | | | N/C | | |
| Wilsonart Solid Surface Countertop | <input type="checkbox"/> | | | N/C | | |

Mobile Cart height is 33"

For custom laminate or solid surface colors please contact Customer Service for availability, pricing and lead times

ACCESSORIES & NSK PRODUCTS



DCI Edge Accessories



TECH TIP

Always use a crush bushing when using a post in a chair adapter. This will prevent damage from set screws.



53066

PN **53066**

Light Shield, DCI Edge **\$20.00**

Light Post Extensions



8921E

| WHITE | GRAY | LENGTH | |
|--------------|--------------|----------------------------------|-----------------|
| 8921E | 8969E | 24" Post w/P&C Bushing..... | \$240.00 |
| 8922E | 8972E | 24" Post w/Ritter Bushing..... | \$240.00 |
| 8463E | 8986E | 30" Post w/P&C Bushing..... | \$260.00 |
| 8464E | 8987E | 30" Post w/Ritter Bushing..... | \$260.00 |
| 8466E | 8409E | Butterfly Clamp For 2" Post..... | \$210.00 |

Light Posts



| WHITE | GRAY | LENGTH | |
|--------------|--------------|---------------|-----------------|
| 8913E | 8945E | 40" Post..... | \$280.00 |
| 8449E | 8949E | 48" Post..... | \$300.00 |
| 8914E | 8952E | 60" Post..... | \$340.00 |
| 8474E | 8408E | Post Cap..... | \$60.00 |

| | | |
|-----------------|-------------------------------------|----------------|
| PN 8476E | Crush Bushing for Base of Post..... | \$40.00 |
| PN 8470E | P&C Bushing..... | \$42.00 |
| PN 8471E | Ritter Bushing..... | \$42.00 |
| PN 8472E | Power Cord (8')..... | \$42.00 |



4820E

Flat Panel Monitor – Vertical Post Mounted

| WHITE | GRAY | | |
|--------------|--------------|-----------------------------------|-----------------|
| 4920E | 4820E | Monitor Only..... | \$470.00 |
| 4955E | 4855E | Monitor & Full Size Keyboard..... | \$820.00 |



4824E

Flat Panel Monitor – Top Post-Mounted

| WHITE | GRAY | | |
|--------------|--------------|-----------------------------------|-----------------|
| 4924E | 4824E | Monitor Only..... | \$500.00 |
| 4957E | 4857E | Monitor & Full Size Keyboard..... | \$990.00 |



8390E

Utility Shelf Post-Mounted

| WHITE | GRAY | | |
|--------------|--------------|---------------------------------|-----------------|
| 8393E | 8390E | Utility Shelf Post-Mounted..... | \$240.00 |



8618

Reducing Bushings

| | | |
|-------------|-----------------------------------|----------------|
| 8617 | Reducing Bushing, 2" to 1.5"..... | \$20.50 |
| 8618 | Reducing Bushing, 2" to 1.7"..... | \$20.50 |



52081

Series 5 Vacuum Screens

Used in S5 Over the Patient Units and all Rear Mounted Packages

| | | |
|--------------|--------------|----------------|
| 52081 | Qty 1..... | \$1.00 |
| 52875 | Pkg 100..... | \$50.00 |



42021

Series 4 Vacuum Screens

Used in S4 Over the Patient Units and all 12 o'clock Mobile Delivery Units

| | | |
|--------------|--------------|----------------|
| 42021 | Qty 1..... | \$1.00 |
| 49188 | Pkg 100..... | \$50.00 |



5889

2 1/8" Solids Collector Vacuum Screens

Used in Ortho, Hygiene Units and Slide Out Delivery Units

| | | |
|-------------|--------------|----------------|
| 5889 | Qty 1..... | \$0.75 |
| 5887 | Pkg 100..... | \$48.00 |



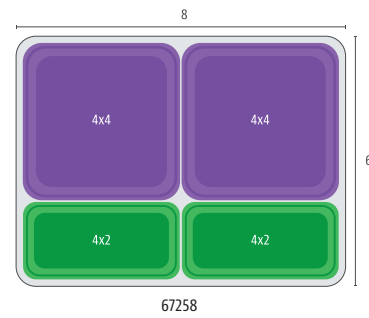
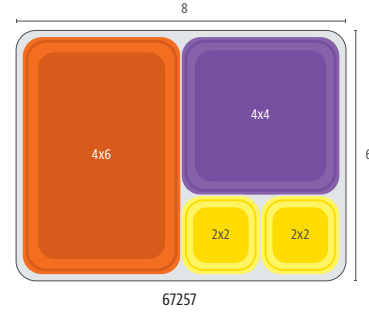
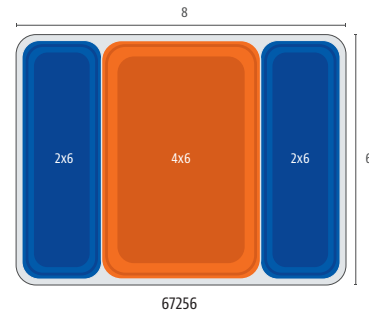
5820

1 7/8" Solids Collector Vacuum Screens

Used in Operatory Support Carts

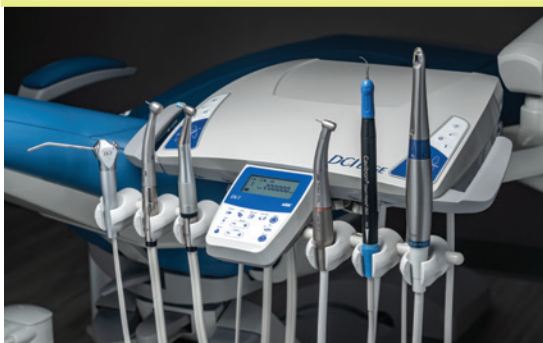
| | | |
|-------------|--------------|----------------|
| 5820 | Qty 1..... | \$0.75 |
| 5832 | Pkg 100..... | \$48.00 |

Organization Bins



| Organization Bins | | |
|--------------------------|--|---------------|
| <input type="checkbox"/> | 1 Utility Drawer Only for 42" 12 O'clock (CR5500) | 67178 \$44.00 |
| <input type="checkbox"/> | 1 Utility Drawer Only for 36" 12 O'clock (CR5600) | 67090 \$44.00 |
| <input type="checkbox"/> | Colored Drawer Organizers and Bin Container, 2 Blue 2 X 6, 1 Orange 4 X 6, 1 Clear Container 6 X 8 | 67256 \$70.00 |
| <input type="checkbox"/> | Colored Drawer Organizers and Bin Container, 1 Orange 4 X 6, 1 Purple 4 X 4, 2 Yellow 2 X 2, 1 Clear Container 6 X 8 | 67257 \$70.00 |
| <input type="checkbox"/> | Colored Drawer Organizers and Bin Container, 2 Purple 4 X 4, 2 Green 2 X 4, 1 Clear Container 6 X 8 | 67258 \$70.00 |
| <input type="checkbox"/> | Bin Container for Colored Drawer Organizers, 6 x 8, Clear | 67087 \$25.00 |
| <input type="checkbox"/> | Colored Drawer Organizer, 2 x 2, Yellow | 67116 \$6.00 |
| <input type="checkbox"/> | Colored Drawer Organizer, 2 x 4, Green | 67117 \$8.00 |
| <input type="checkbox"/> | Colored Drawer Organizer, 2 x 6, Blue | 67118 \$10.00 |
| <input type="checkbox"/> | Colored Drawer Organizer, 4 x 4, Purple | 67119 \$10.00 |
| <input type="checkbox"/> | Colored Drawer Organizer, 4 x 6, Orange | 67120 \$12.00 |

SERIES 5 RETROFIT KIT FOR NSK NLZE ELECTRIC MICROMOTOR AND INTEGRATED TOUCHPAD



#52789

Kit, NSK Retrofit, S5 Delivery

\$3,450.00



#42795 Mounted on left (pictured)

#42797 Mounted on right

Kit, NSK Retrofit, DR Mobile

\$3,450.00



#42796

Kit, NSK Retrofit, DR Under Counter

\$3,450.00

SERIES 4 RETROFIT KIT FOR NSK NLZE ELECTRIC MICROMOTOR AND INTEGRATED TOUCHPAD



#42798

Kit, NSK Retrofit, S4 Delivery

\$3,450.00

DCI Edge NSK Bundles

Exclusive NSK Bundle Pricing and Extended Year Warranty*



Electric High-Speed Z95L

PJT606 (3) Electric High-Speed 1:5 Increasing Attachments, Titanium Body..... **\$3,200** BUNDLE PRICING



Electric Low-Speed Z25L

PJT608 (2) Electric Low-Speed 1:1 Attachments, Push Button RA Chuck, Titanium Body..... **\$1,850** BUNDLE PRICING



Air, High-Speed, Z890L with NSK Coupler

PJT658 (3) High-Speed Handpieces, Mini-Head, Titanium Body, (1) NSK Coupler..... **\$3,200** BUNDLE PRICING



Air, High-Speed, Z990L with NSK Coupler

PJT659 (3) High-Speed Handpieces, Standard Head, Titanium Body, (1) NSK Coupler..... **\$3,200** BUNDLE PRICING



Air, High-Speed, Z890KL (KaVo Type) with Coupler

PJT660 (3) High-Speed Handpieces, Mini-Head, KaVo Type, Titanium Body, (1) Coupler..... **\$3,200** BUNDLE PRICING



Air, High-Speed, Z990KL (KaVo Type) with Coupler

PJT661 (3) High-Speed Handpieces, Standard Head, KaVo Type, Titanium Body, (1) Coupler..... **\$3,200** BUNDLE PRICING



Air, Low-Speed FX25 & Motor FX204

PJT604 (2) Low-Speed, Push Button RA Chuck Attachments (ISO -E), (1) Low Speed Air Motor..... **\$1,050** BUNDLE PRICING



Air, Prophy Handpiece

PJT605 (3) Prophy Handpieces for Disposable Prophy Angles..... **\$1,550** BUNDLE PRICING



iCare C2

PJT610 (1) Handpiece Maintenance System (2 Electric Ports & 2 Air Ports)..... **\$2,800** BUNDLE PRICING

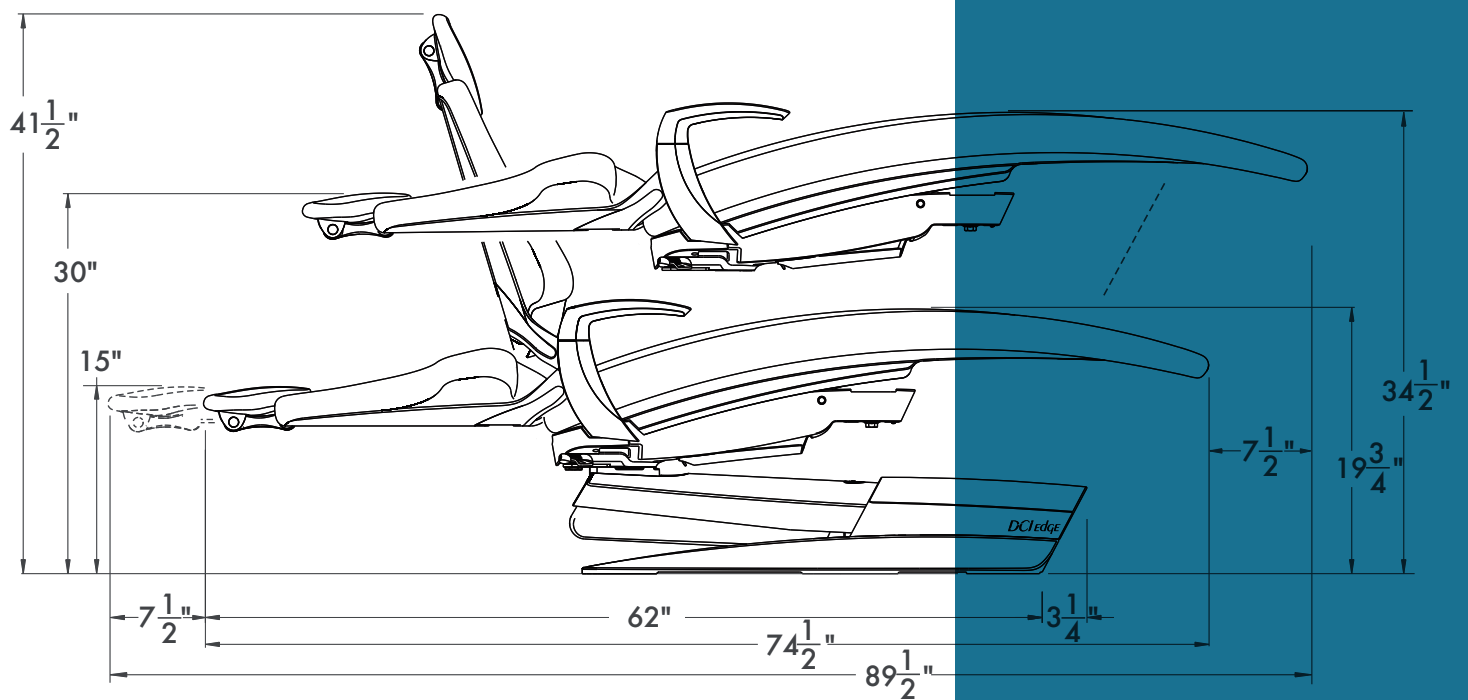


iCare C3

PJT611 (1) Handpiece Maintenance System (3 Electric Ports & 1 Air Port)..... **\$2,800** BUNDLE PRICING

Bundle pricing is available only with DCI Edge orders in the US and Canada. Effective through December 2024. *All NSK Purchases through DCI Edge offer a 1 year extension on manufacturer's original warranty.

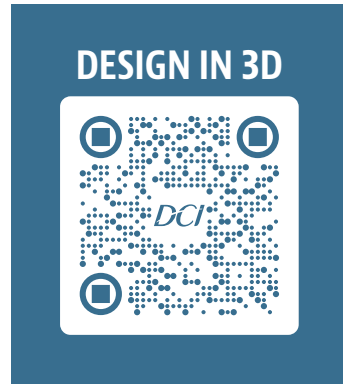
COLORS & DIMENSIONS



FIND THE PERFECT COLOR

READY TO DESIGN THE PERFECT OPERATORY?

We make it easy for you to bring your vision to life. Bright & bold or chic & savvy, we offer an extensive selection of upholstery, cabinet and countertop design options. If you can imagine it, we can supply it.

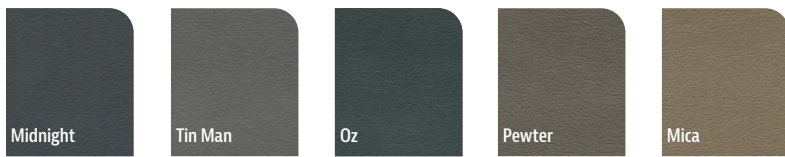


Premium Ultraleather® Upholstery

Upcharge applies \$725 per Chair and \$135 per Stool



PEARLIZED



Naugasoft Upholstery

Naugasoft included in price for Chairs and Stools



Laminate Selections for Vertical Surfaces



Graphite Nebula



Ebony Char



Skyline Walnut



Weathered Char



Carbon EV



Cosmic Strandz



Satin Stainless



Nightfall



Blackbird



Sterling Ash



Columbian Walnut



Shaker Cherry



Uptown Walnut



High Line



Italian Silver Ash



Studio Teak



5th Ave Elm



Pearl Alloy



Battleship



Mushroom



High Rise



Vapor Strandz



Fusion Maple



Beigewood



Asian Sand



Phantom Pearl



Magnolia



Linen



Designer White Gloss

Solid Surface Selections for Countertops



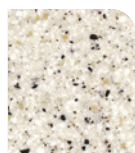
Midnight Melange



Quarry Melange



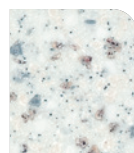
Marzipan Mirage



Arctic Melange



Avalanche Melange



Bluestone



Angel Falls



Zen Grey



Soothing Grey



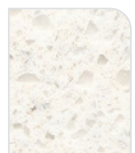
Steel Grey Tempest



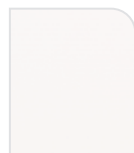
Milk Glass Spectra



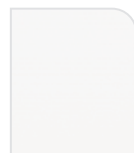
Coconut Oil



Morning Ice



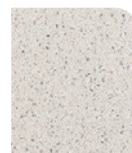
Designer White



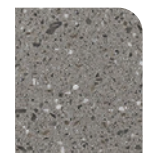
Frosty White Mirage



Paris Fog



Dusk Ice



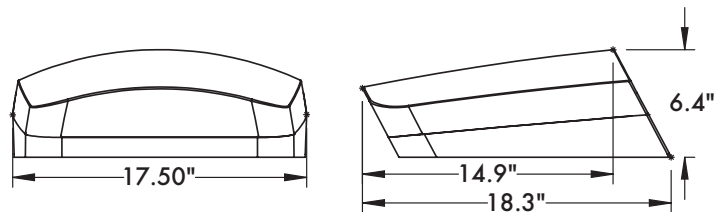
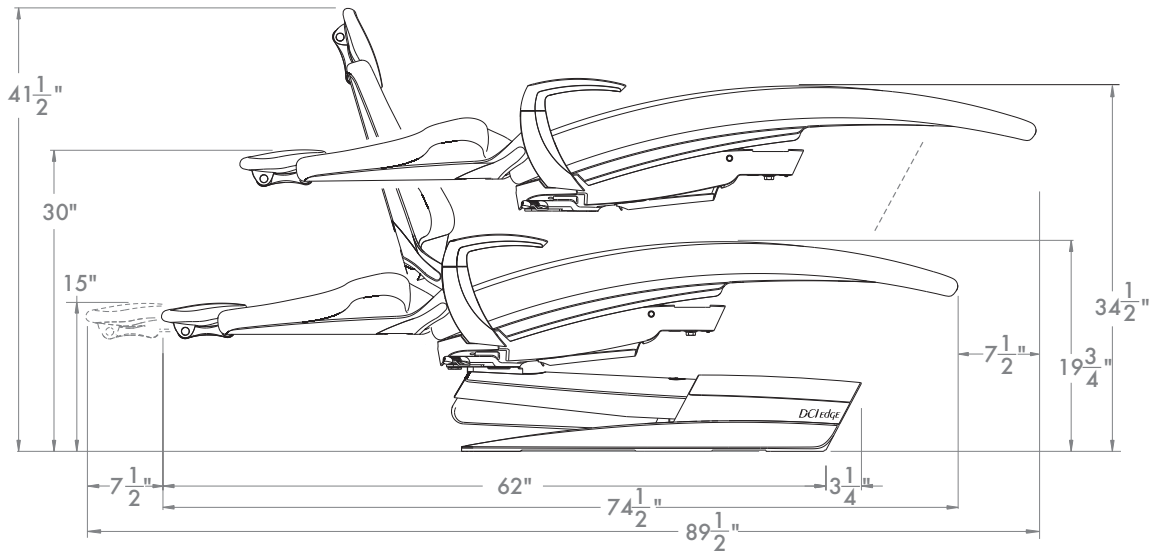
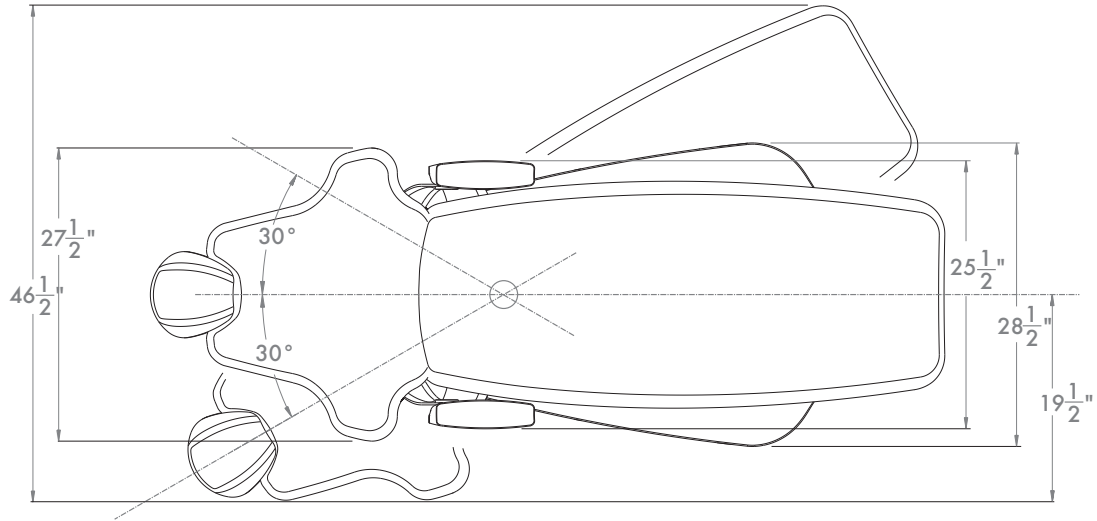
Flint Rock



Silver Smoke

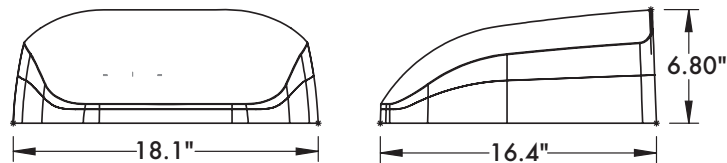
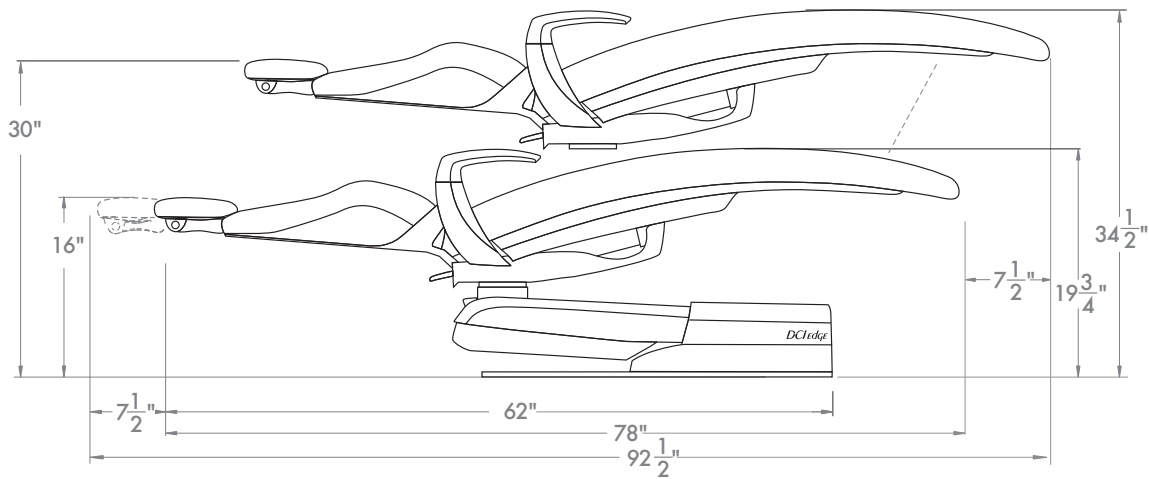
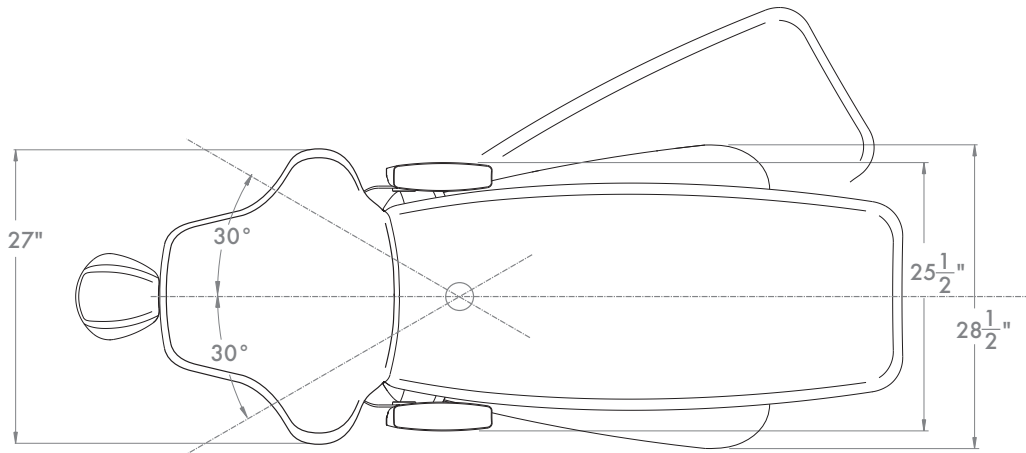
Series 5 Chair Dimensions

Unit of measurement is shown in inches.



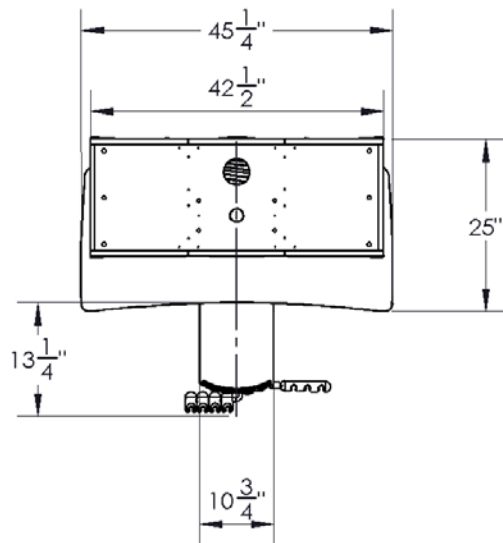
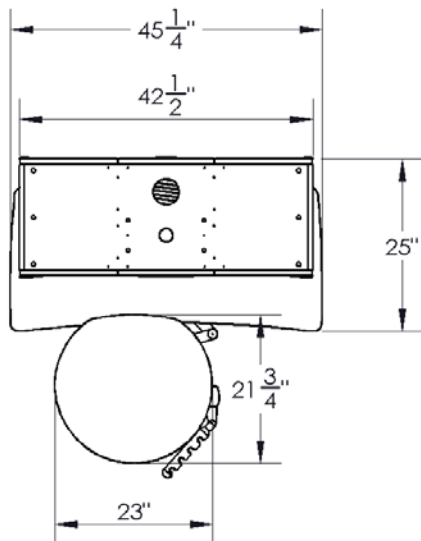
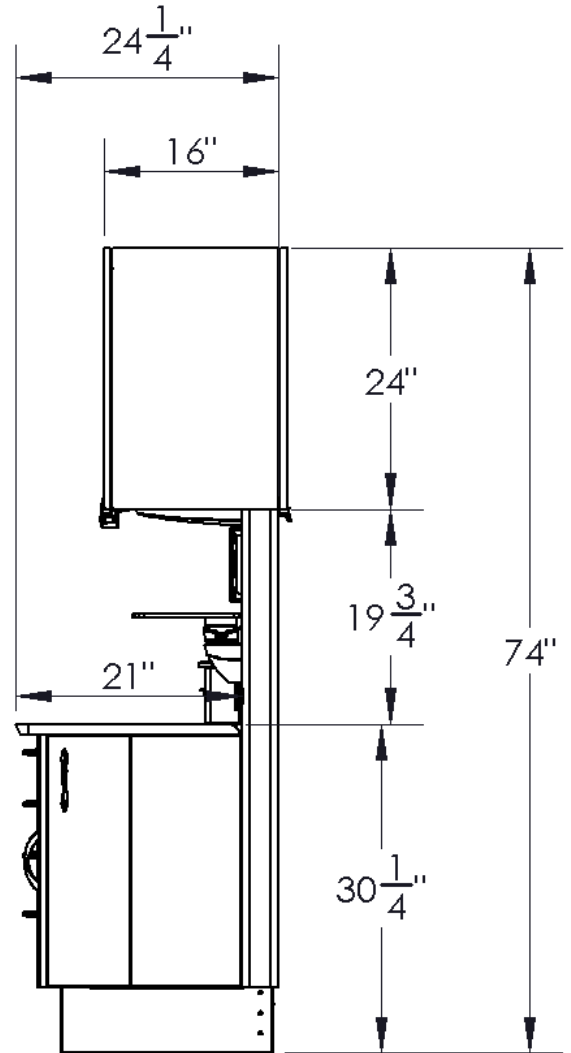
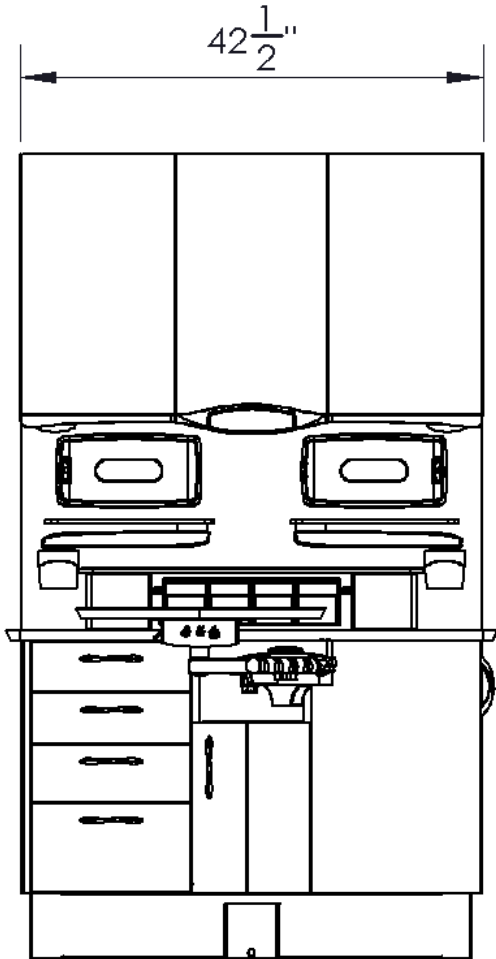
Series 4 Chair Dimensions

Unit of measurement is shown in inches.



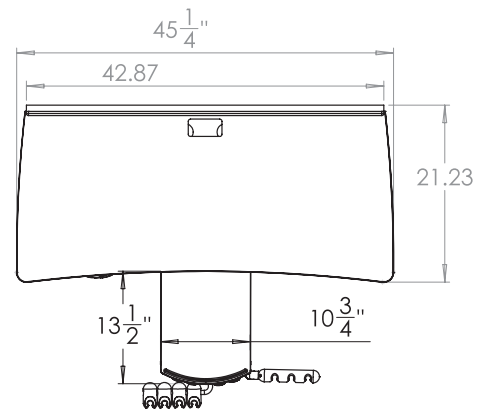
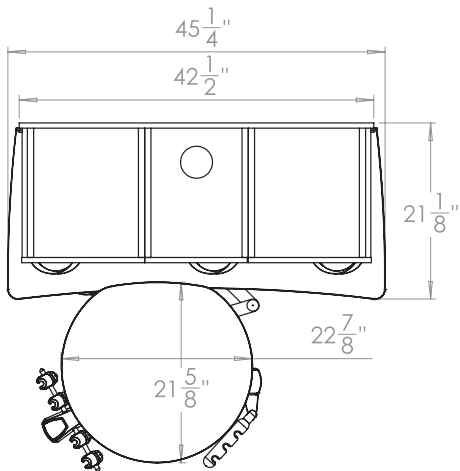
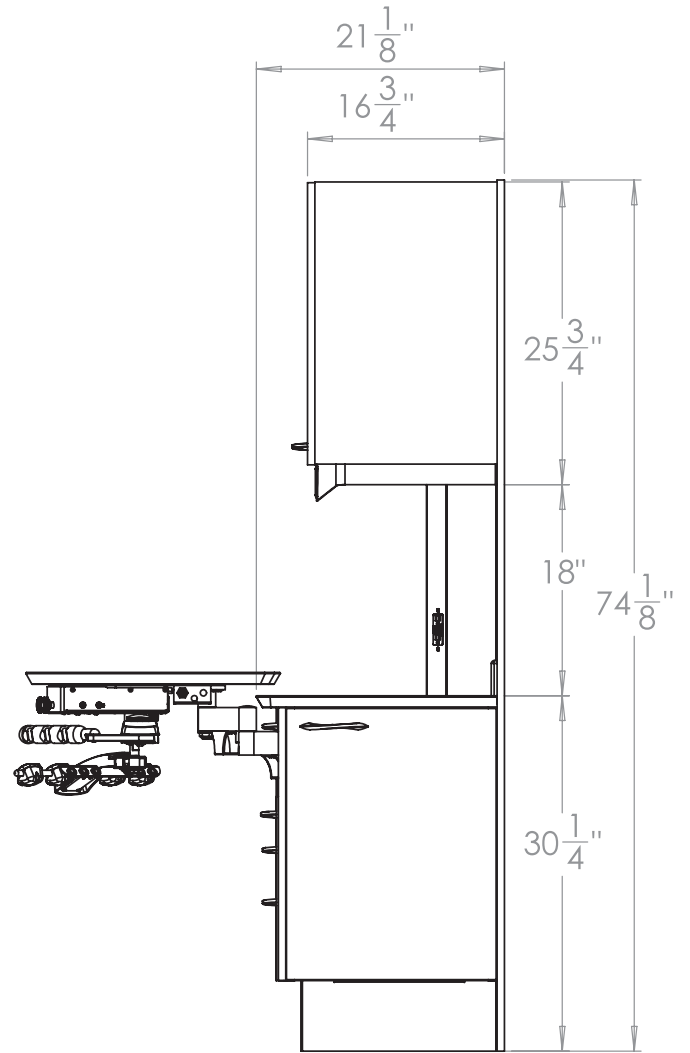
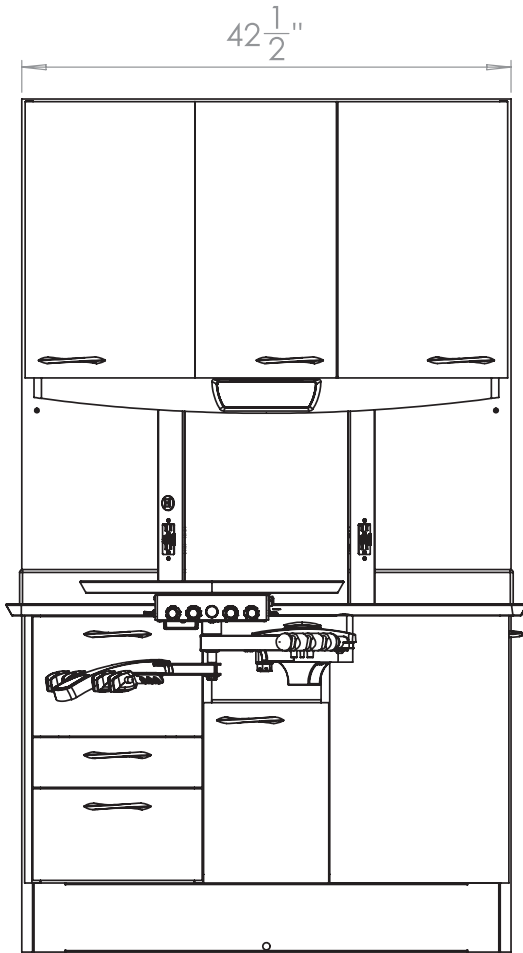
Series 5 Cabinet Dimensions

42" Free Standing
12 O'Clock Dimensions



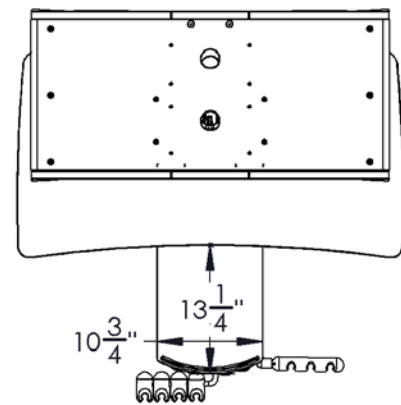
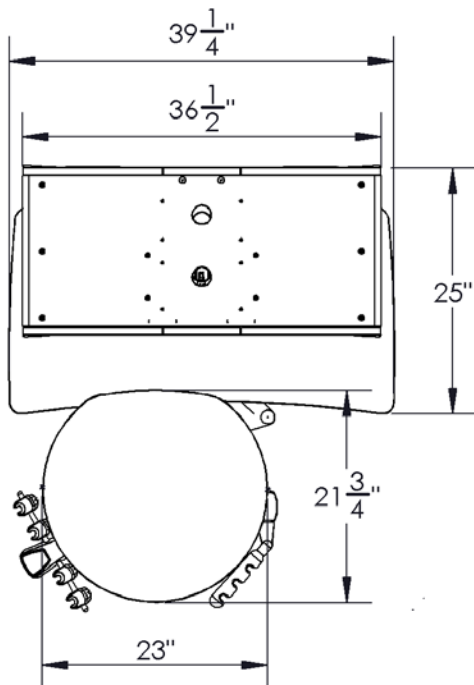
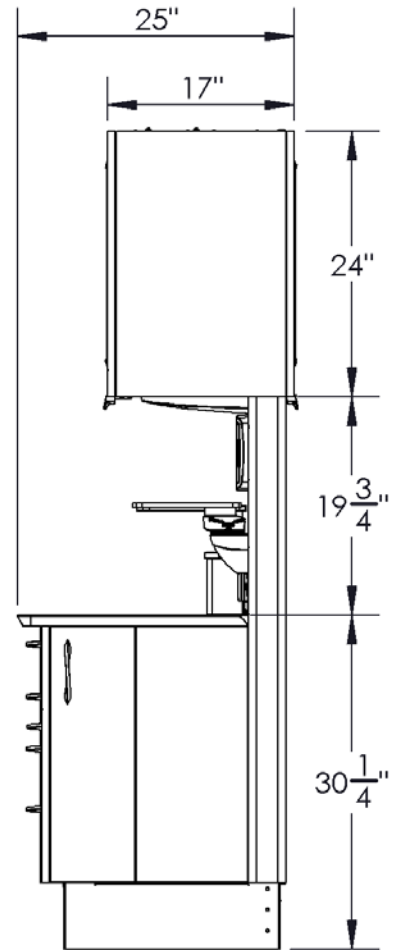
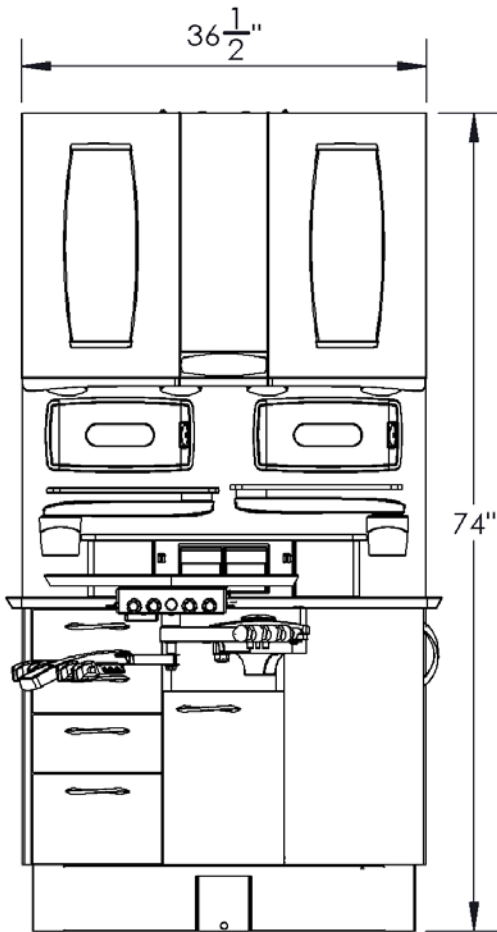
Series 5 Cabinet Dimensions

42" Wall Mounted
12 O'Clock Dimensions



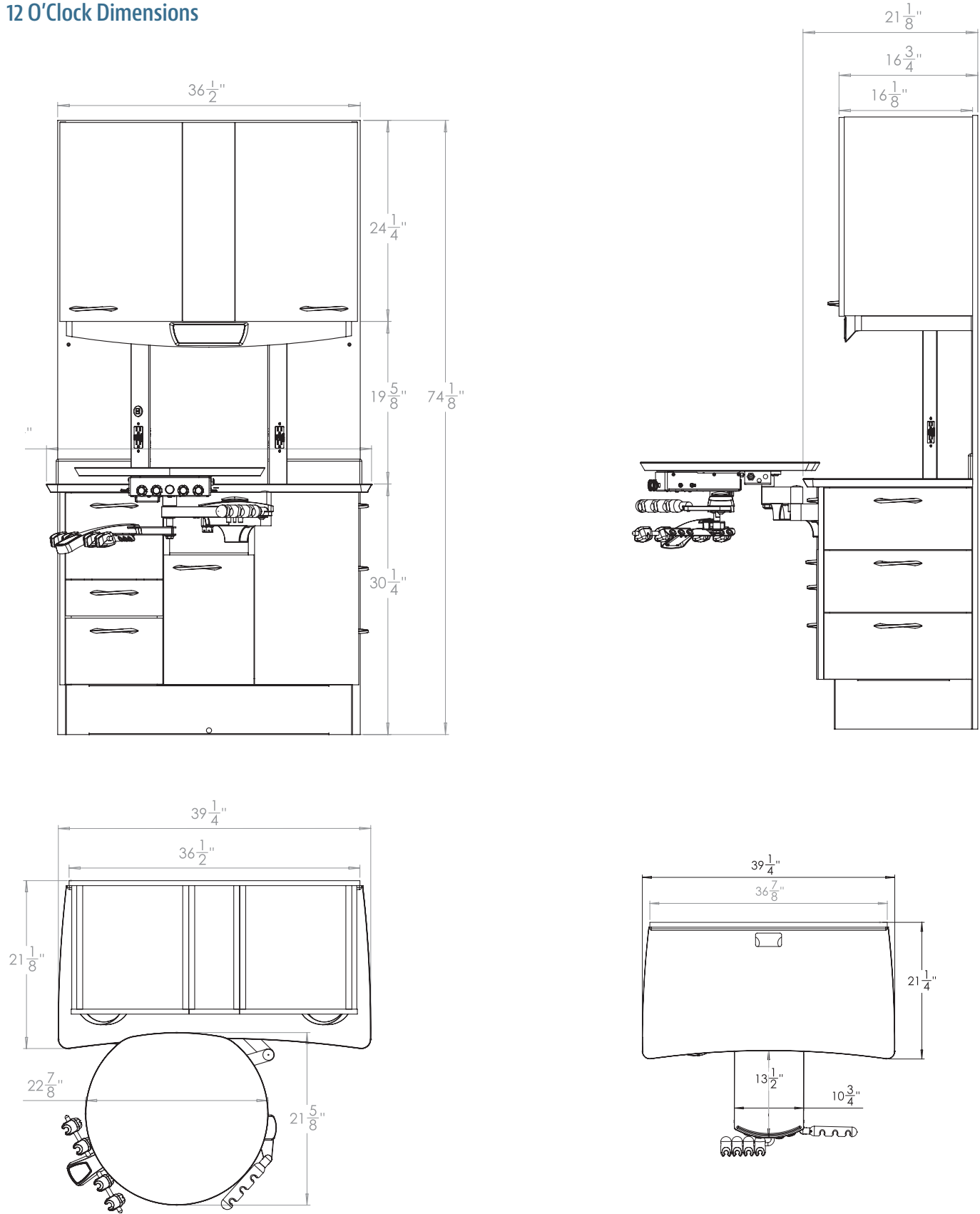
Series 5 Cabinet Dimensions

36" Free Standing
12 O'Clock Dimensions



Series 5 Cabinet Dimensions

36" Wall Mounted
12 O'Clock Dimensions

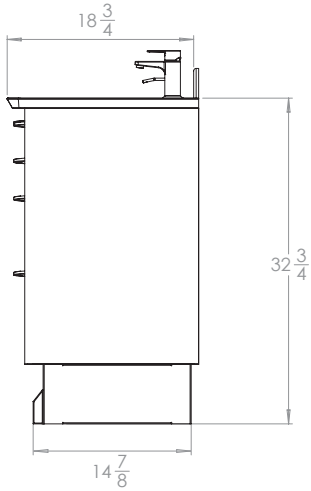


Series 5 Cabinet Dimensions

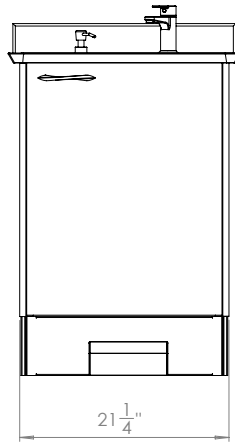
Side Cabinet Dimensions

Unit of measurement is shown in inches.

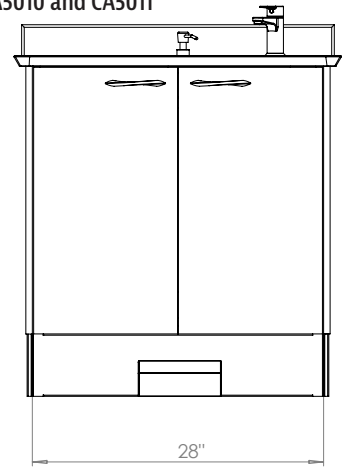
All



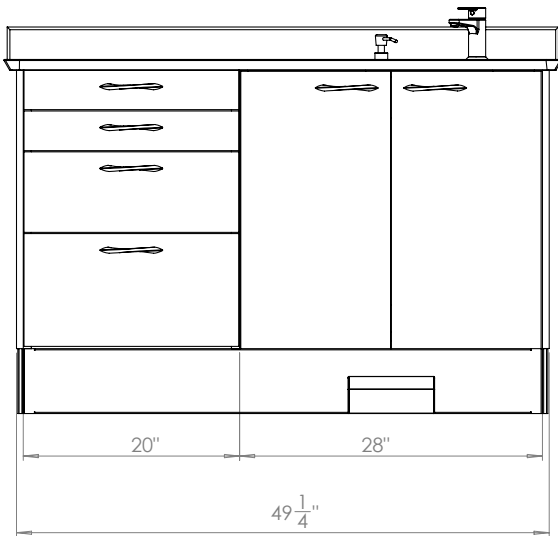
CA5012



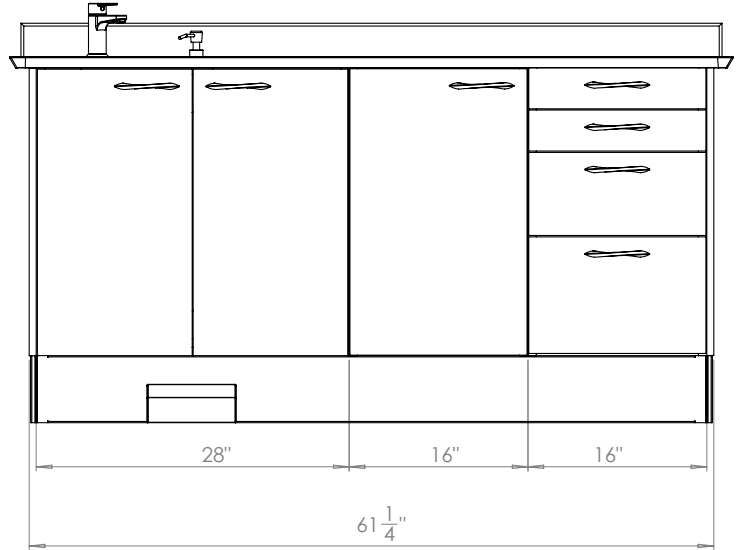
CA5010 and CA5011



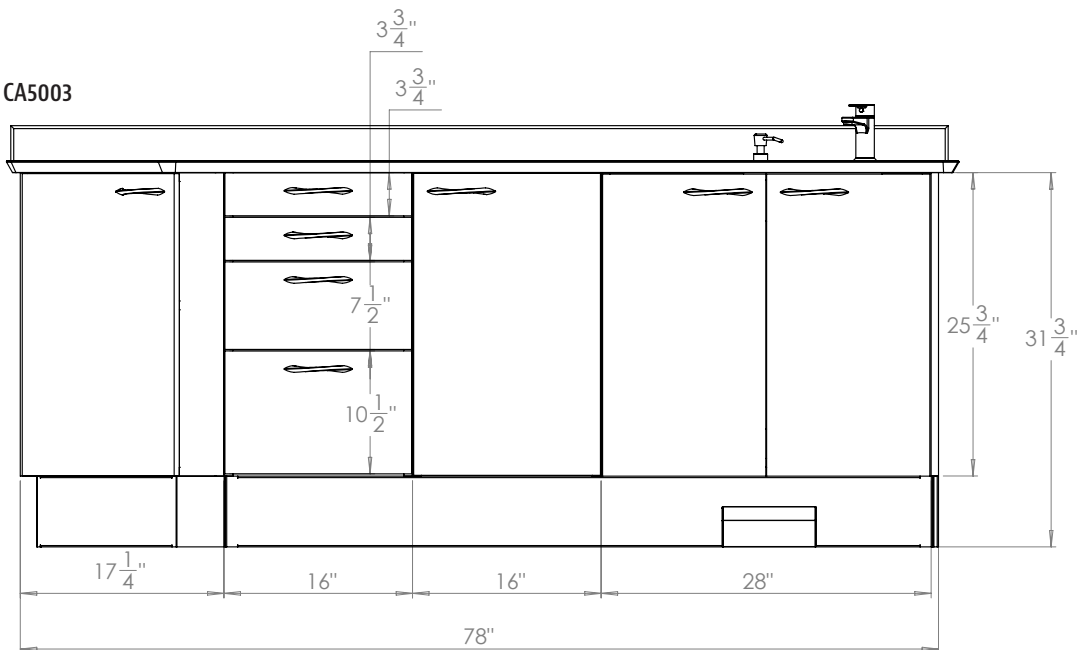
CA5008 and CA5009



CA5000, CA5001, CA5004 and CA5005

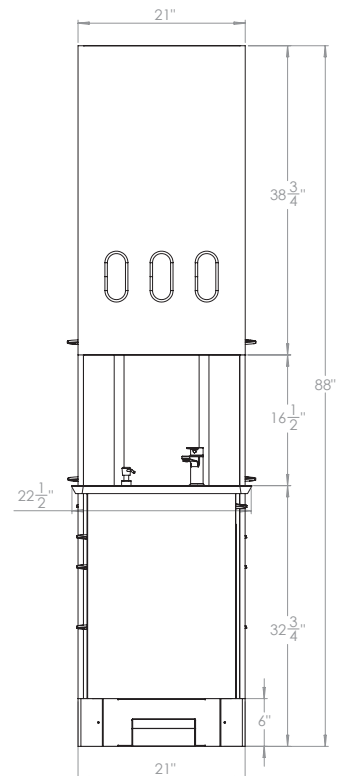
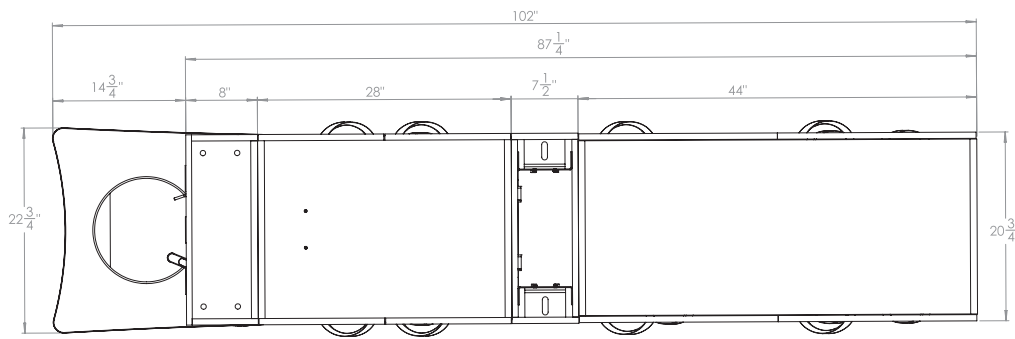
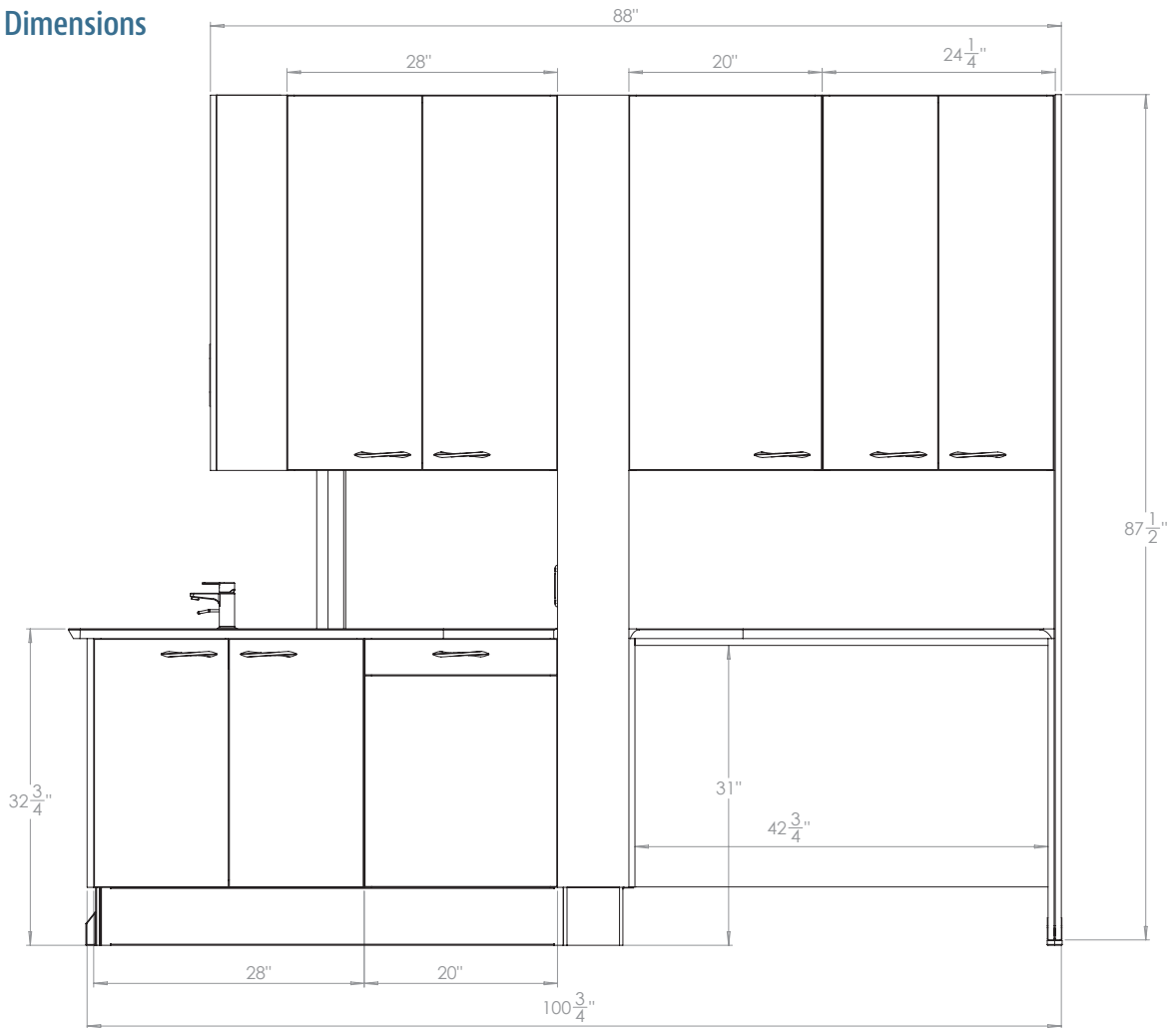


CD5002, CD5003, CA5002, CA5003



Series 5 Cabinet Dimensions

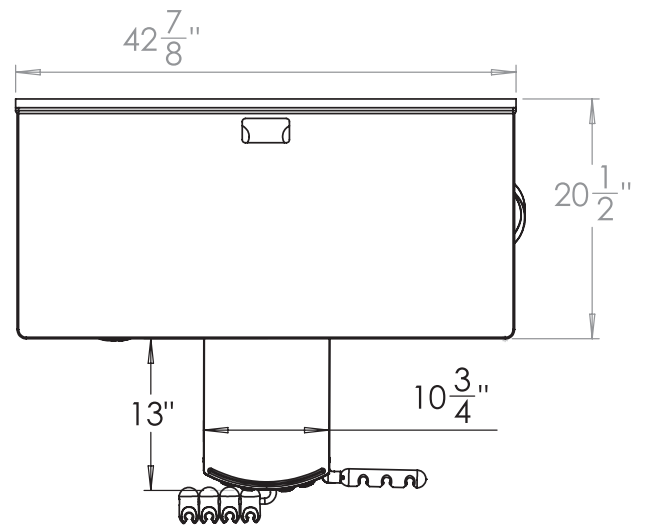
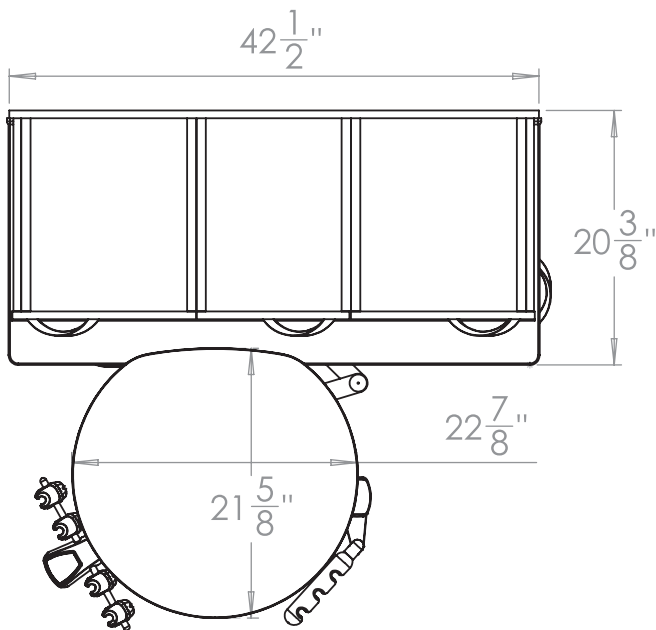
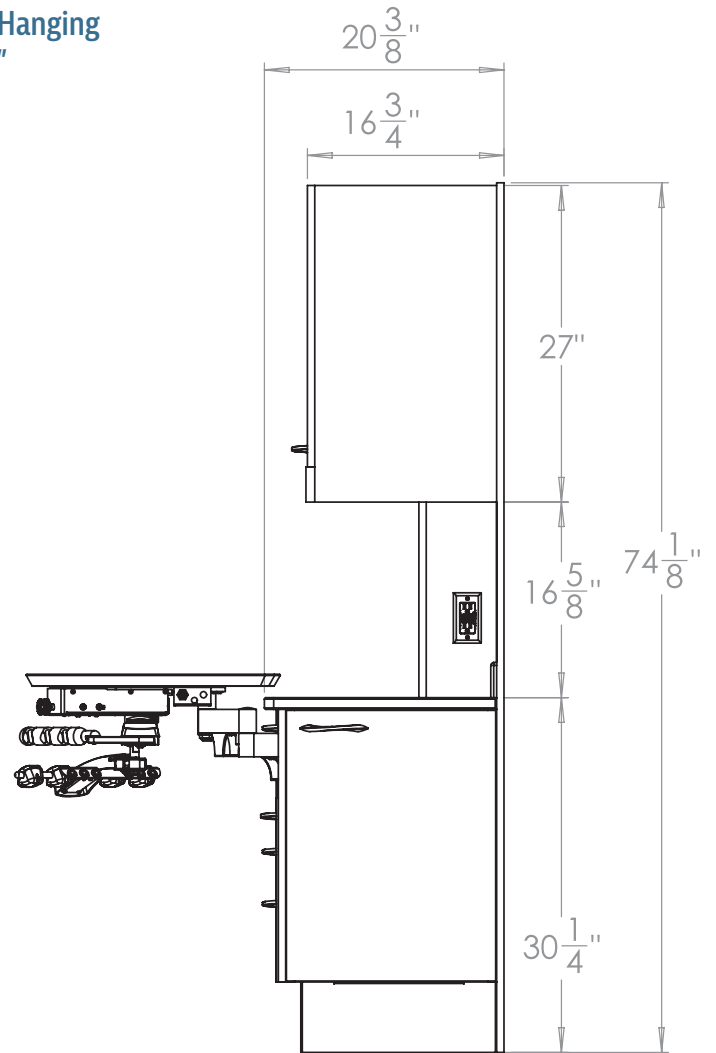
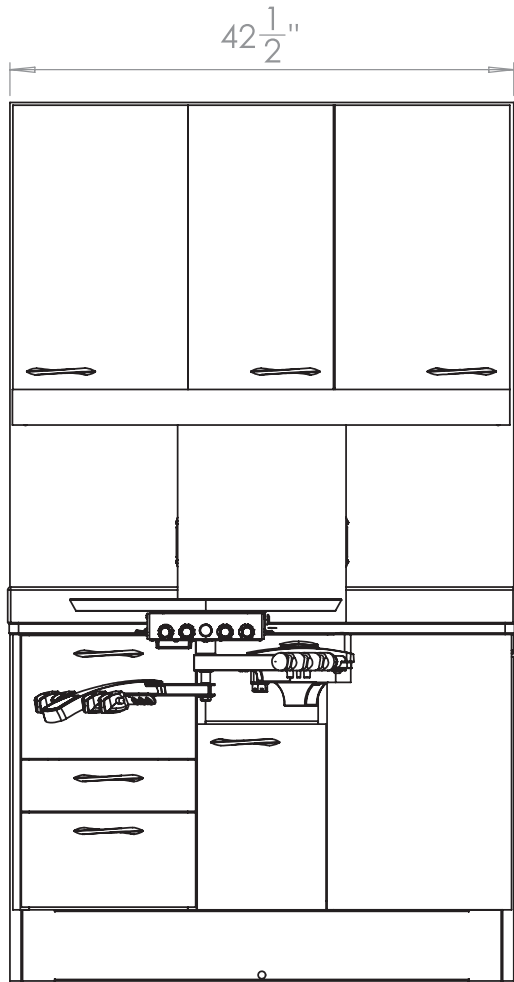
Center Island Dimensions



Series 4 Cabinet Dimensions

42" 12 O'Clock Dimensions
shown with decorative back panel

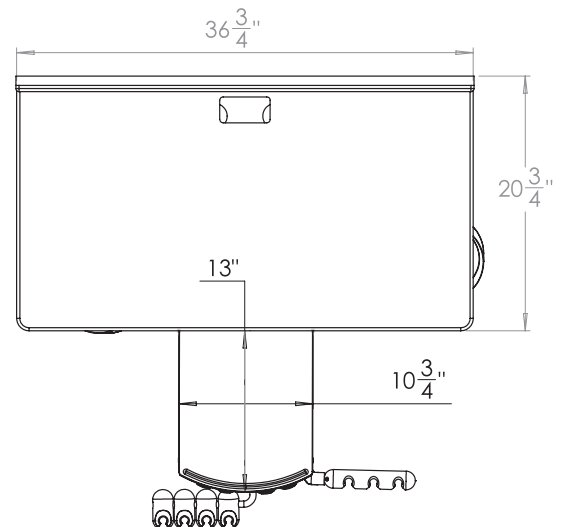
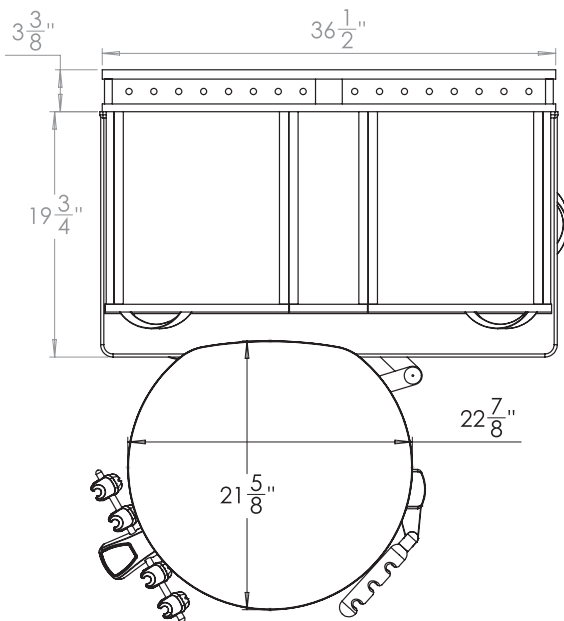
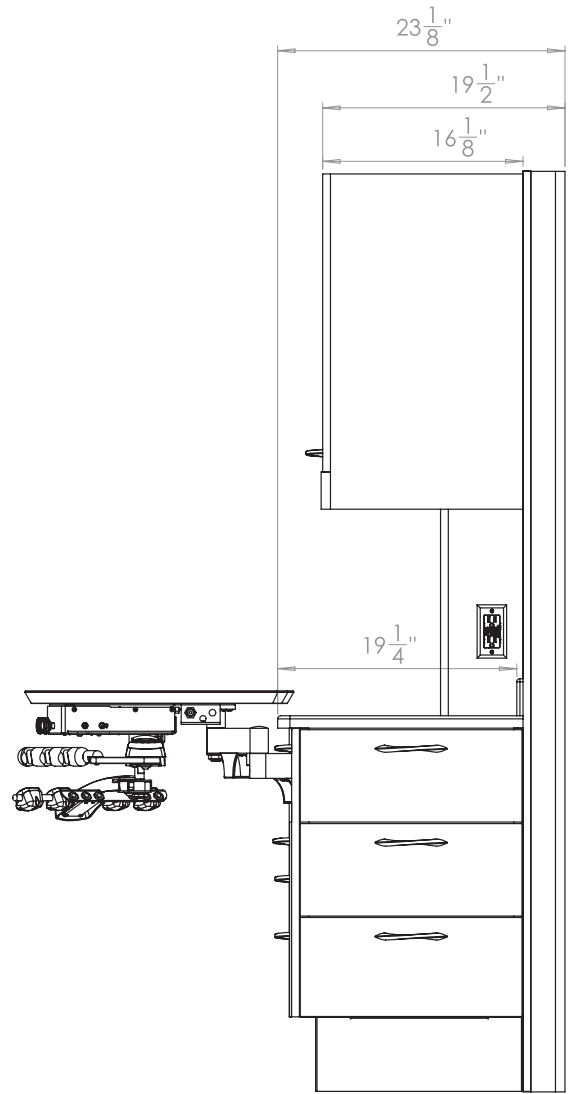
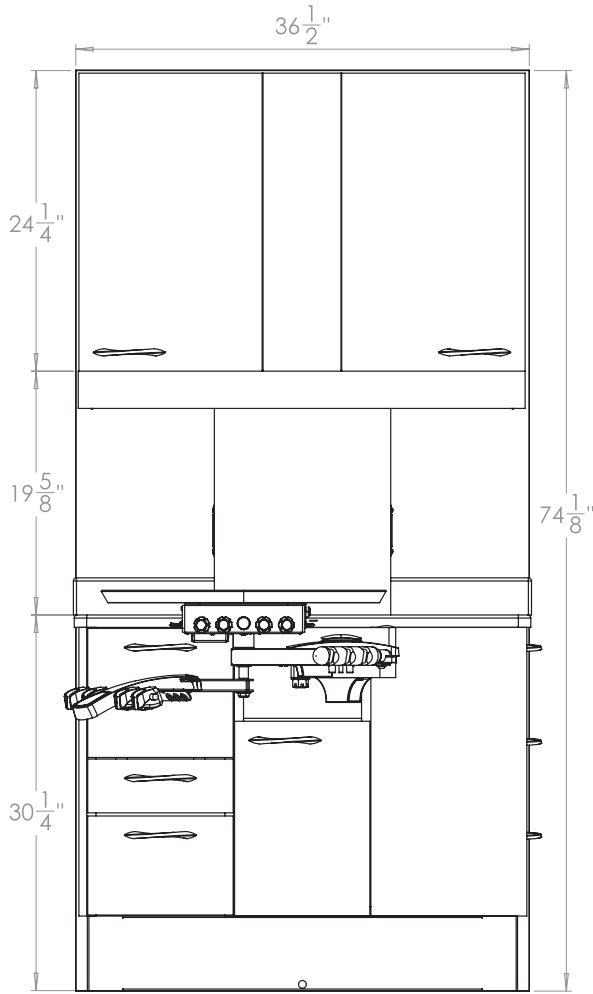
Upper Storage Hanging
Rail height 71.5"



Series 4 Cabinet Dimensions

36" 12 O'Clock Dimensions
shown with structural support panel

Upper Storage Hanging
Rail height 71.5"

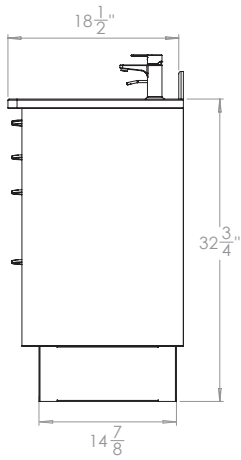


Series 4 Cabinet Dimensions

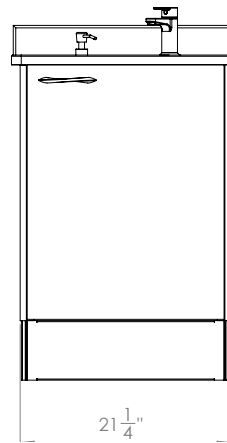
Side Cabinet Dimensions

Unit of measurement is shown in inches.

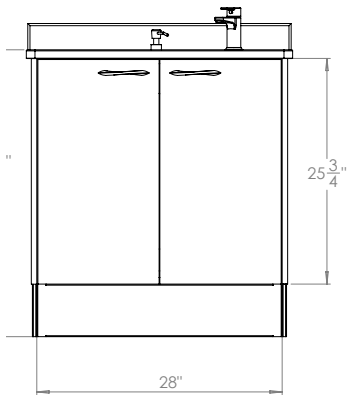
All



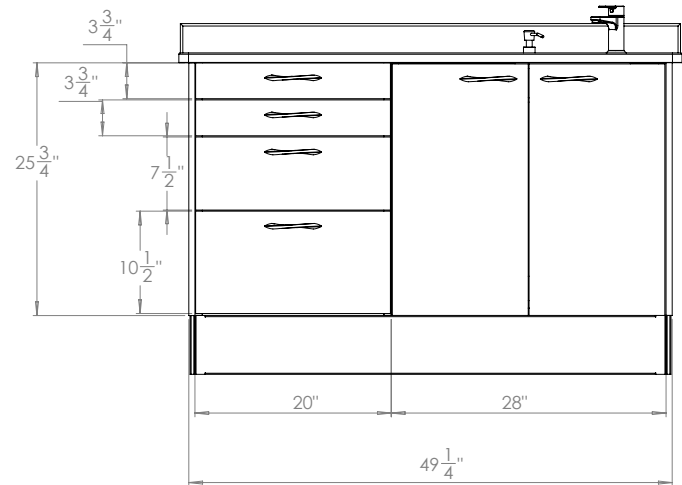
CA4012



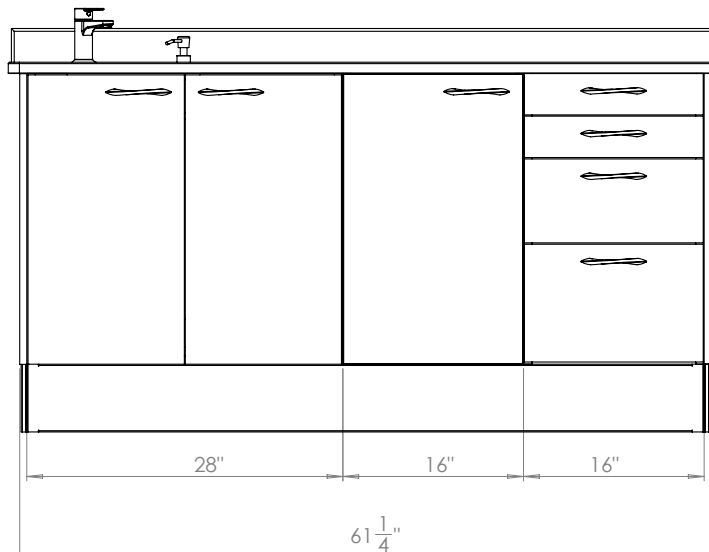
CA4010 and CA4011



CA4008 and CA4009

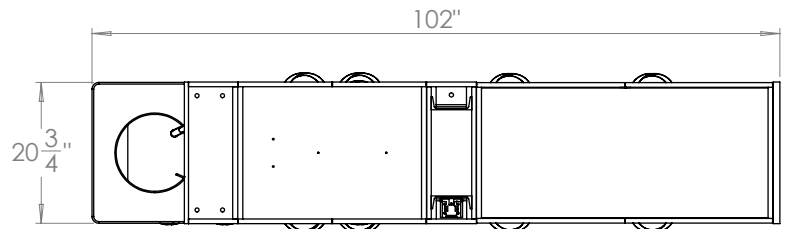
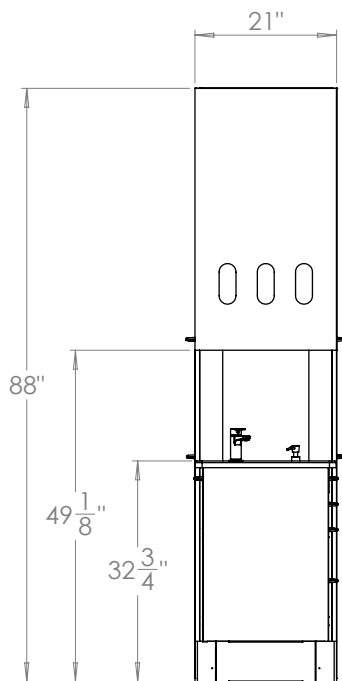
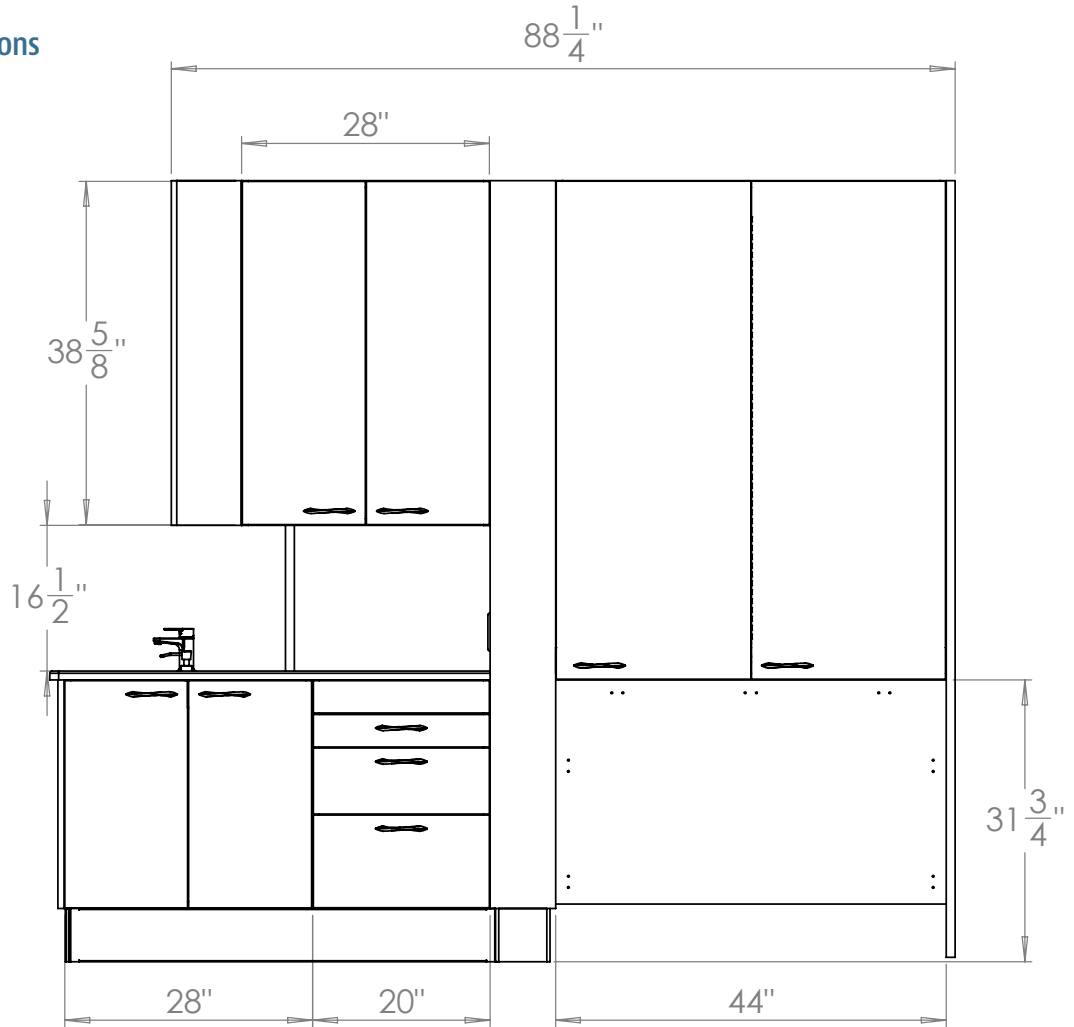


CA4000, CA4001, CA4004 and CA4005



Series 4 Cabinet Dimensions

Center Island Dimensions

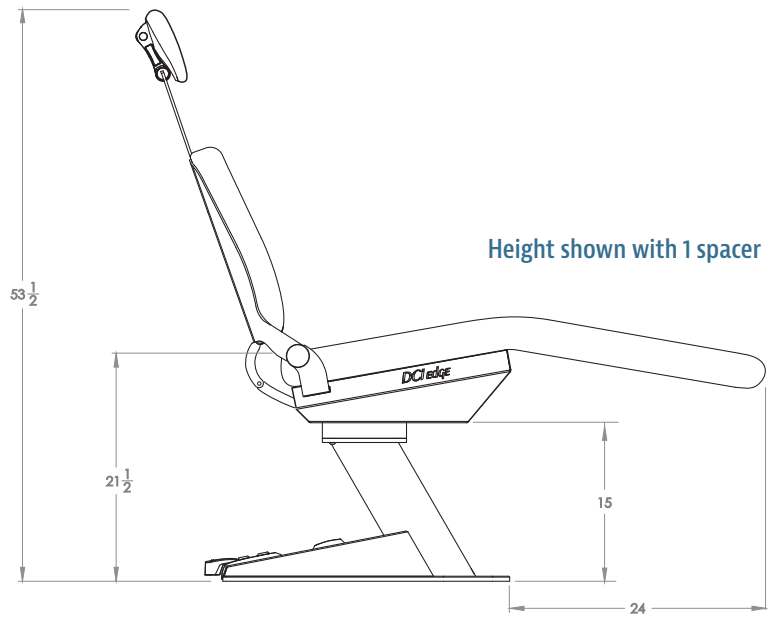
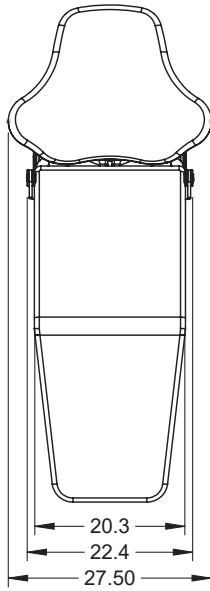


Ortho Chair Dimensions

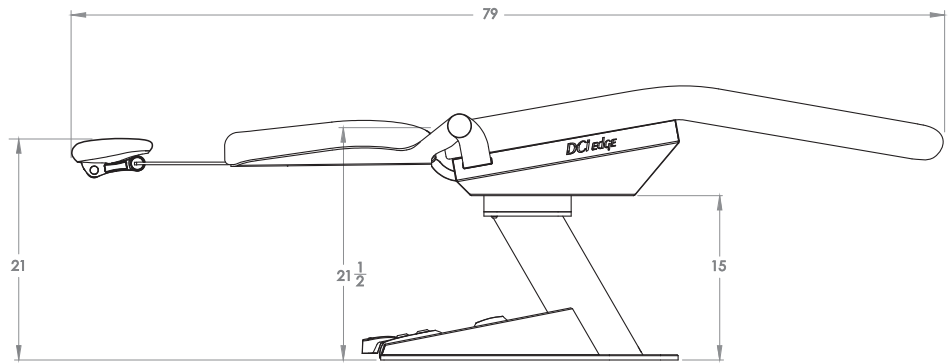
Chair Dimensions

Standard is shipped assembled with 1 spacer

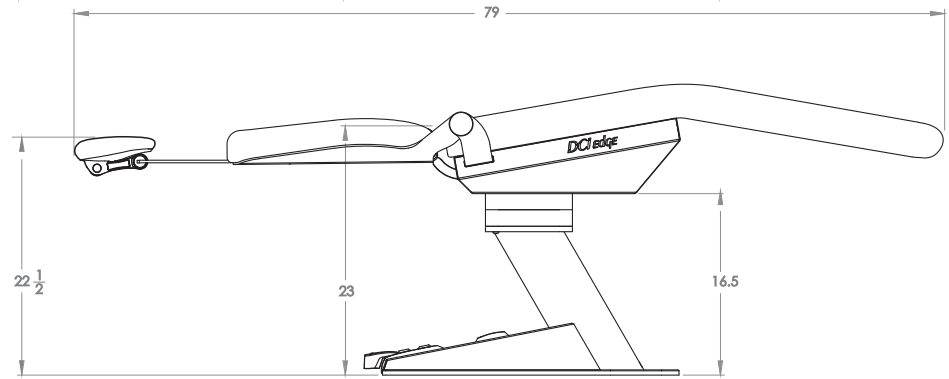
Unit of measurement is shown in inches.



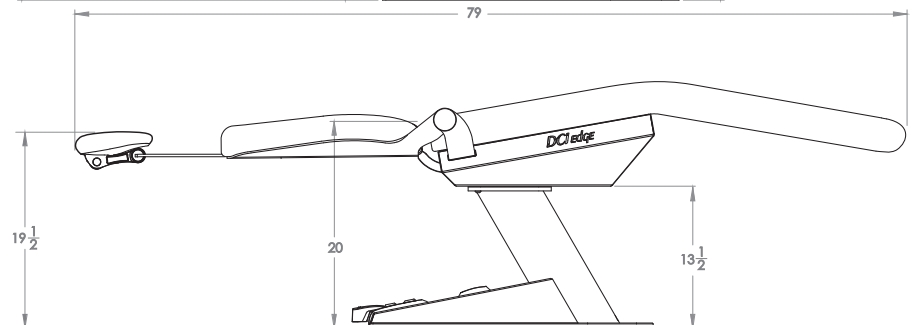
Height shown with 1 spacer



Height shown with 1 spacer



Height shown with 2 spacers

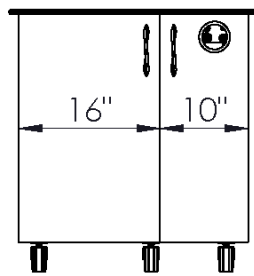
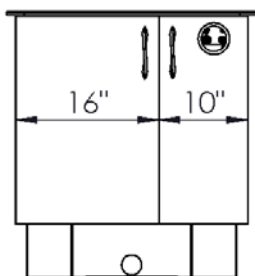
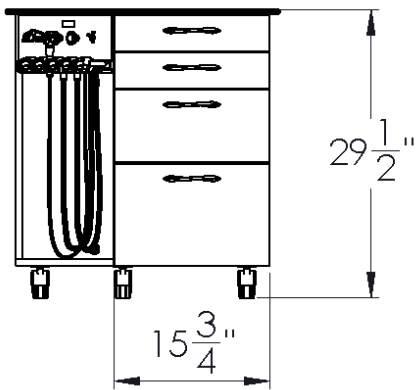
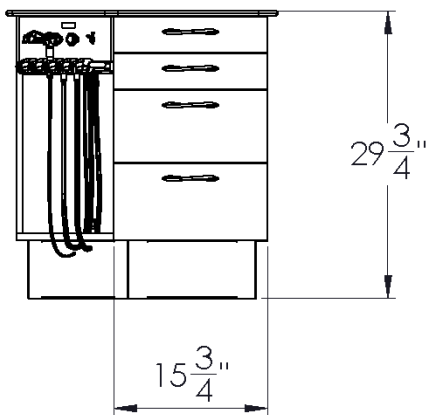
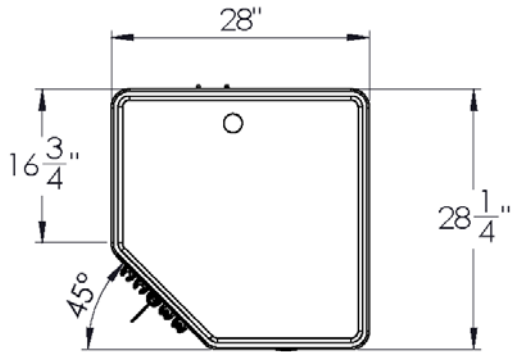


Height shown with no spacers

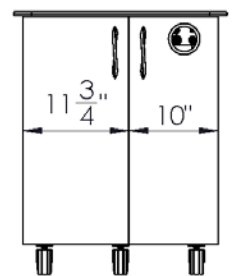
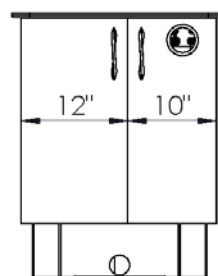
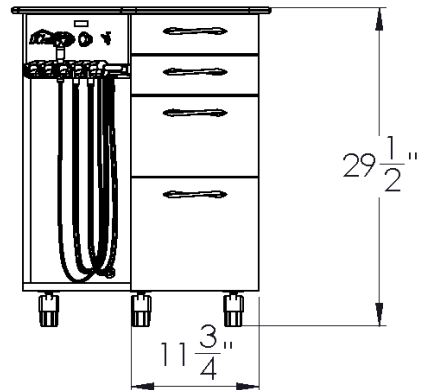
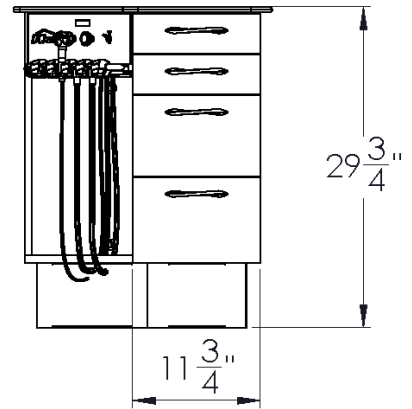
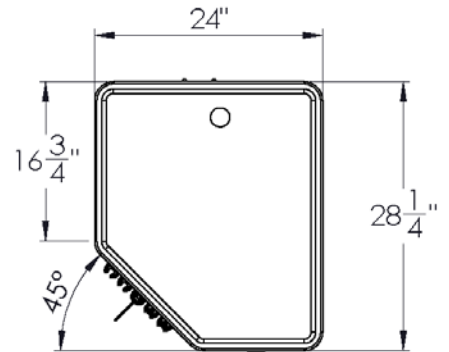
Ortho Cabinet Dimensions

Cabinet Dimensions

Standard:



Narrow:



WARRANTY INFORMATION

All DCI Edge chairs, units, lights and cabinetry sold to and installed by authorized DCI Edge dealers are guaranteed to be free from defects in workmanship and materials for five years from the date of purchase.

During that period, we will repair or replace any defective part at no charge. DCI WILL NOT be responsible for dealer or service company labor charges or shipping charges to the DCI Edge factory.

Upholstery is warranted for one year from the date of purchase. This guarantee does not cover normal wear, stains, cuts, or scratches on upholstery or surface finishes.

Staining, discoloration, or deterioration of the equipment caused by disinfectant solutions is not covered under warranty.

We are continually striving to improve our products. We reserve the right to make modifications without the need for prior notification.

Power optic tubings carry a six-month warranty, bulbs are items not covered under warranty.

OEM ancillary devices installed on DCI Edge equipment will follow the original manufacturer's warranty and are not covered by DCI Edge's warranty. Please contact the manufacturer of the device for warranty details and concerns.

Examples of installed products:

- NSK NLZE Electric Micromotor - which offers a 3-Year Worry-Free Warranty
- Dentsply Sirona Cavitron(R) system
- Acteon(R) Sopro family of intraoral cameras, piezoelectric scalers, and curing lights
- DTE Woodpecker Scaler and Curing Light

WARNING: Only authorized dealers should attempt to service DCI Edge Equipment. The use of other than authorized dealers will void the warranty.

ORDERING INFORMATION

When ordering, please include the following information:

- **DCI requires Doctor or Clinic Name, address, email address and phone number before PO will be accepted.**

- Model and/or Part Number
- Description/Color
- Quantity
- Date Required
- Purchase Order Number
- Shipping Instructions

All prices quoted herein are in US dollars and are subject to change without notice. All prices listed in this catalog are suggested retail prices.

CUSTOMS

When ordering from DCI, you are considered the importer of record and must comply with all laws and regulations of the country in which you are receiving the goods. Contact your local customs office for further information, as customs policies vary from country to country.

TERMS

Net 30 days on approved accounts; Visa, Mastercard or American Express can be used until credit is approved.

RETURNED GOODS

Items must be in original condition to be eligible for return; no credit will be issued on used, installed, damaged or incomplete returns (no partial packages). Custom equipment, custom cabinets, custom colors, obsolete and discontinued items will not be accepted for credit.

Returns will not be accepted outside of one year from the original invoice date. 15% Restocking fee will be applied on overstock Equipment returns.

FREIGHT DAMAGE

This guarantee does not cover damage resulting from improper installation, misuse, or accidents incurred in shipping and handling. All claims against the freight carrier must be initiated at the time the damaged items are received. The claim is the responsibility of the customer.

RETURNED GOODS

Overstock Returns:

- ▶ Before returning the product, call DCI Customer Service for a Return Authorization Number. Please have the following information when you call:
 - Customer number
 - Part numbers and quantities for all return items
 - The corresponding DCI invoice or order number
- ▶ Carefully package all return items to prevent shipping damage. Please contact DCI Customer Service for proper packaging materials if needed.
- ▶ Write the Return Authorization Number on the outside of the package and reference the number on any accompanying items and paperwork.
- ▶ Ship to DCI at the shipping address below.

Warranty Returns:

- ▶ Before returning the product, call DCI Customer Service for a Return Authorization Number. Please have the following information when you call:
 - Reason for return/type of failure
 - Customer number
 - Part numbers and quantities for all return items
 - The corresponding DCI invoice or order number
- ▶ Write the Return Authorization Number on the outside of the package and reference the number on any accompanying items and paperwork.
- ▶ Ship to:
DCI
ATTN: Returns
305 N. Springbrook Road
Newberg, OR, 97132-0228, U.S.A.

CHANGE AND CANCELLATION POLICY:

- ▶ For Changes to Cabinet Orders in Production:
 - All changes to Standard Cabinet Orders must be made 14 business days prior to expected ship date. Any order changed within 14 business days of expected ship date will incur a 10% retail recovery fee.
 - All changes to Custom Cabinet Orders must be made 28 business days prior to expected ship date. Any order changed within 28 business days of expected ship date will incur a 10% retail recovery fee. For Cancellations to Cabinet Orders in Production.
- ▶ Cancellations to Cabinet Orders in Production:
 - All cancellations to Standard Cabinet Orders must be made 14 business days prior to expected ship date. Any order changed within 14 business days of expected ship date could incur a 10% retail recovery fee.
 - All cancellations to Custom Cabinet Orders must be made 28 business days prior to expected ship date. Any order changed within 28 business days of expected ship date could incur a 10% retail recovery fee.
- ▶ For all other DCI Configured Products:
 - Any cancellations of configured equipment, with the exception of Cabinets (see above) must be made within 10 days of expected ship date. Any order changed within 10 days of the expected ship date will be subject to a 10% retail recovery fee.

Please Note:

- ▶ Any Changes or Cancellations must be received by Customer Service in writing.
 - DCI is not responsible for shipping date changes due to changes to the order.

State of California Prop 65:



WARNING: Cancer and Reproductive Harm
www.p65warnings.ca.gov

Products in this ordering guide contain chemicals known to the State of California to cause cancer and reproductive harm. Please see www.DCIedge.com for more information by part number.



Three DCI Edge locations, conveniently located in multiple time zones

We offer VIP tours at each location or virtually

Oregon, USA

Showroom
Manufacturing Facility

705 S Springbrook Road
Newberg, OR 97132

North Carolina, USA

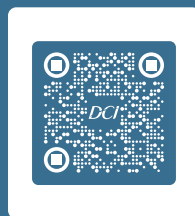
Showroom
Manufacturing Facility

9201 Stockport Place
Charlotte, NC 28273

Illinois, USA

Showroom
NSK North American Corporate HQ

1800 Global Parkway
Hoffman Estates, IL 60192



DESIGN THE DENTAL OFFICE

DCI Corporate Office

705 S Springbrook Road, Newberg, OR 97132
equipment@dcionline.com | 1-800-624-2793
Mon-Fri, 5am-5pm PST