

CENTER MODULE FOR FLOOR MOUNT DELIVERY

Replacement Instructions

DCI *EDGE*

This instruction describes the procedures of replacing the lower center module of the cabinet with the module for floor mount delivery.

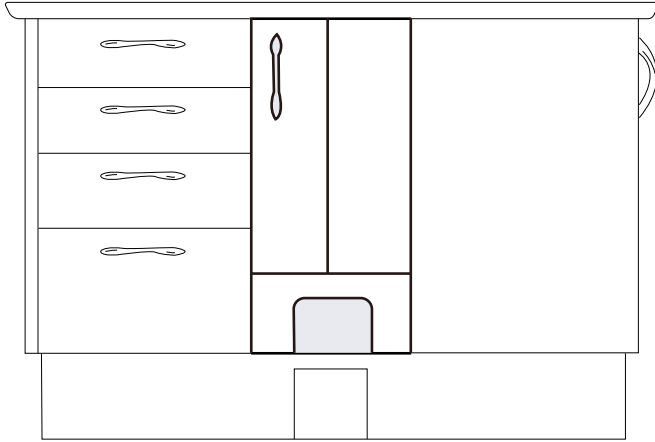


Figure 1

TOOLS

The operator needs to prepare the following tools before performing the replacement:

- Philips head screwdriver
- Hex wrench M4

REMOVING OLD MODULE

To replace the lower center module, remove the old one first:

1. Remove the connecting screws (four in total) on upper right and left side panels.

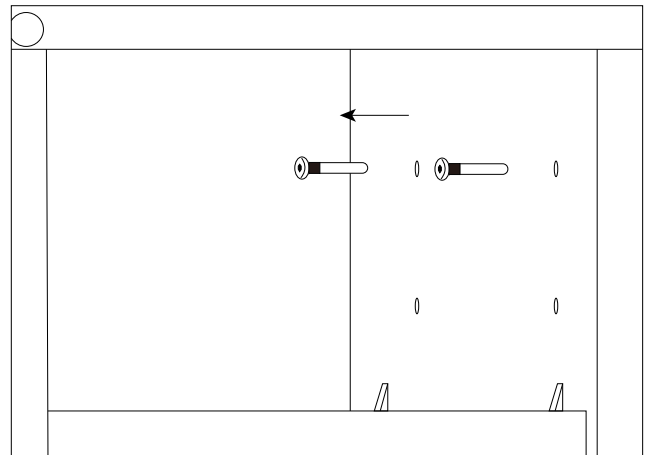


Figure 2

2. Remove the connecting screws (four in total) on lower right and left side panels.

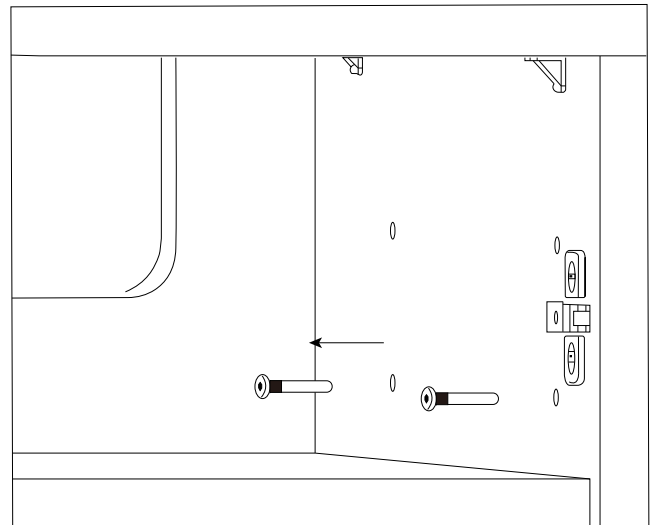


Figure 3

- Remove the connecting bolts on the lower bottom panel (two for connecting the subbase and two for subbase filler panel).

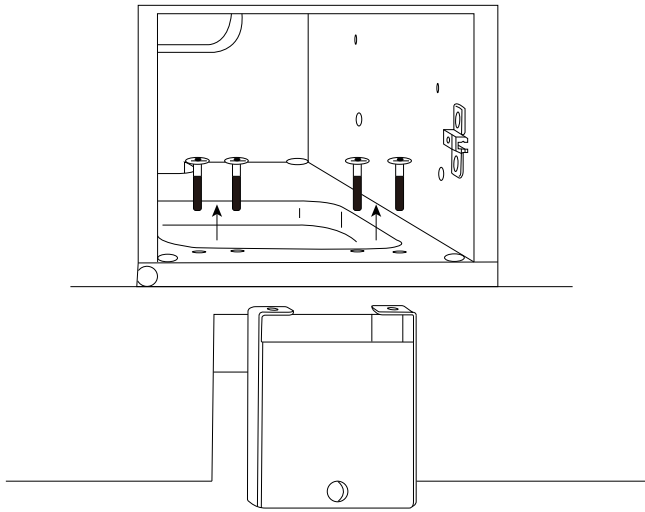


Figure 4

- Slide out the old module.

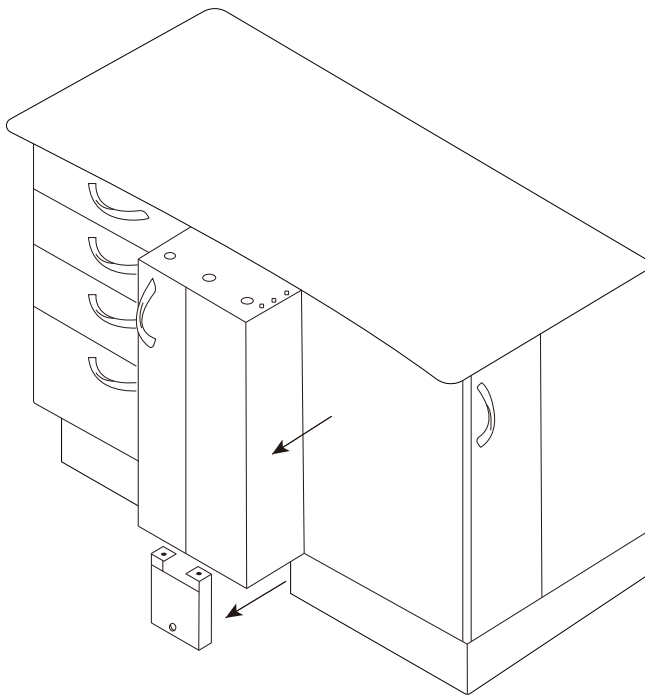


Figure 5

INSTALLING NEW MODULE

To install the new module, do the following:

- Slide in the new module.

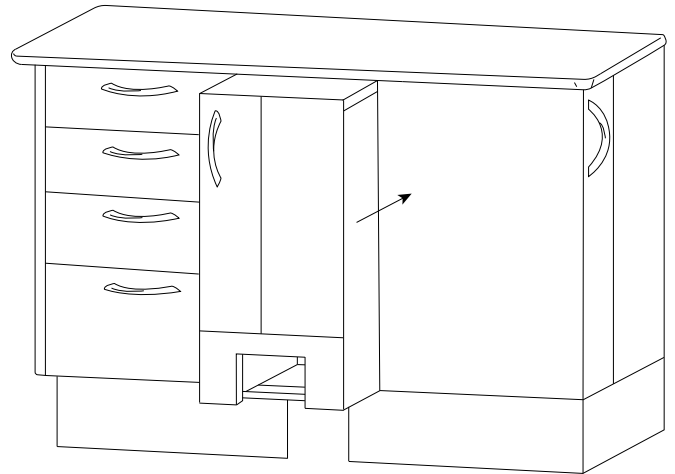


Figure 6

- Install the eight connecting screws on right and left side panels (Figure 7, item 1) to attach the new module to the cabinet body.
- Use two bolts (Figure 7, item 2) to screw the new module onto the subbase in the front.

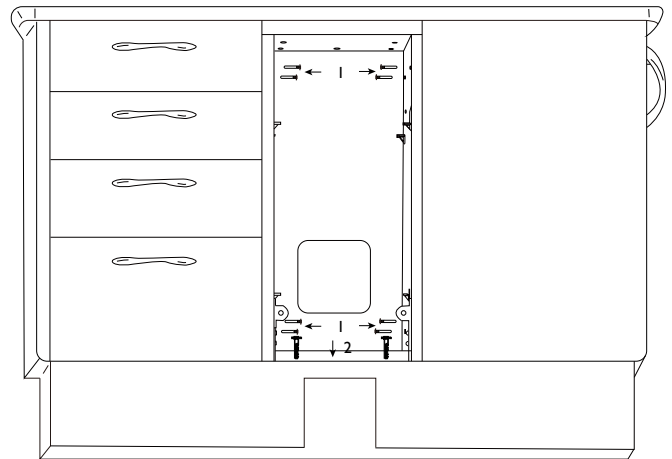


Figure 7

