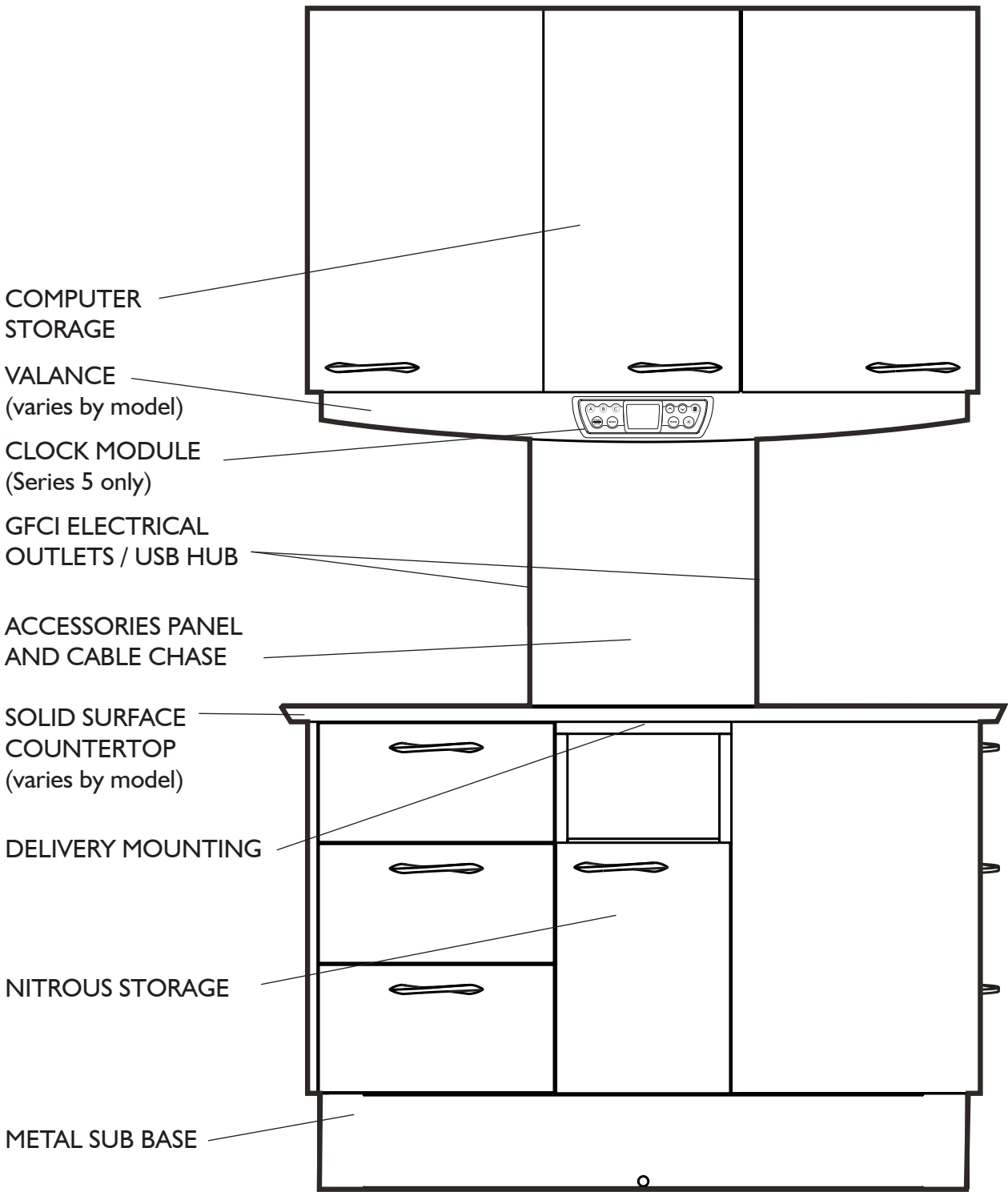


**SERIES 4 & SERIES 5**  
**12 O'CLOCK CABINET**  
Instructions For Use

**OVERVIEW**



# INTRODUCTION

## SYMBOLS

The following symbols may be used throughout this product manual:



**CAUTION:** General Caution. Failure to carefully follow the described procedure may result in damage to the equipment.



**WARNING:** Failure to carefully follow the described procedure may result in damage to the equipment, the operator, and/or the operator.



**ELECTRICAL HAZARD:** Risk of electrical shock present. Ensure that power is disconnected before attempting this procedure.



**NOTE:** Take note of additional important information. Not a warning or caution.



Manufacturer



Manufacturing date



Waste Electrical and Electronic Equipment



Type B Equipment (Protected against electrical shock)



Protective Earth (ground)



Alternating Current



Conforms to applicable European Directives (Essential Requirements)



Electrical Testing Lab



Advisable to consult accompanying documents



Refer to instruction manual/booklet

## TABLE OF CONTENTS

System Overview	2
Introduction	3
General Information	4
General Safety	5
Operating Clock Timer & Lighting	6
Disinfection and Cleaning	7

## GENERAL INFORMATION

### INTENDED APPLICATION AND USE

The DCI Edge 12 O'Clock Cabinet provides storage, work surfaces, and support for delivery units and accessory devices.

### PRODUCT IDENTIFICATION

The DCI Edge 12 O'Clock Cabinet can be identified by the label on the left-most interior panel. This label states the model number, serial number, electrical specifications, manufacturing date, and safety classifications.

### ENVIRONMENTAL CONDITIONS

Operating Conditions:	Shipping conditions:
Temperature: 67-76° F	Temperature: -68 - 122° F
Humidity: 20-60%	Humidity: 10-90%
Altitude: <5,000 m	

### ELECTRICAL OUTLETS

125VAC 20A 60Hz

### INCOMPATIBLE DEVICES

For safety reasons, only DCI original devices and accessories approved for this product, or accessories from third parties released by DCI may be used.

### PRODUCT DISPOSAL

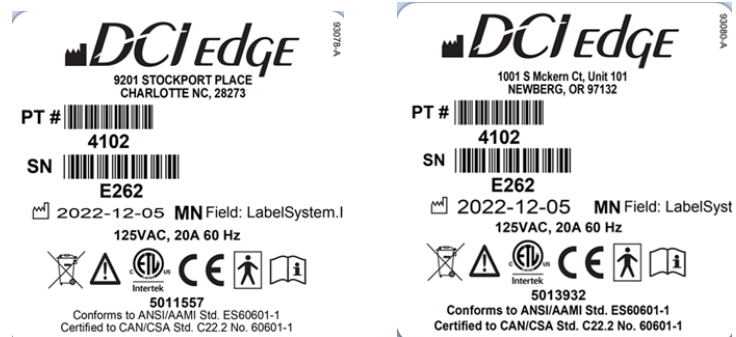
Contact your local, authorized dealer for disposal of this device to ensure compliance with your local environmental regulations.

### TECHNICAL DOCUMENTATION

The manufacturer will make available upon request circuit diagrams, component part lists, descriptions, and calibration instructions to technical personnel responsible for the installation and service of this equipment.

### PREVENTATIVE INSPECTION

The performance of the equipment can be affected by use over time. Periodically inspect the water and air lines for visible cracks or cuts, and inspect for loose fittings and fasteners which could lead to leaks or other poor performance characteristics. Inspect joints and tensioning screws as a regular maintenance item to ensure proper positioning of the device.



## GENERAL SAFETY

### IMPORTANT SAFETY INSTRUCTIONS



**WARNING:** This product must be disinfected before use.



**CAUTION:** Only authorized service technicians should attempt to service this equipment. Use of other than authorized technicians will void the warranty.



**CAUTION:** Product must be bolted to the floor and support wall before use.



**WARNING:** To avoid risk of electric shock, this equipment must be connected only to supply mains with protective earth.



**WARNING:** Modification of this equipment is not allowed.



**WARNING:** Failure to disinfect this device between patients could expose the user and patient to cross contamination and bioburden/biocontamination.



**WARNING:** Do not allow children unsupervised access to this cabinet and auxiliary equipment.



**WARNING:** Use this cabinet only for its intended use as described in these instructions. Do not use attachments not recommended by the manufacturer.



**WARNING:** Do not use outdoors.

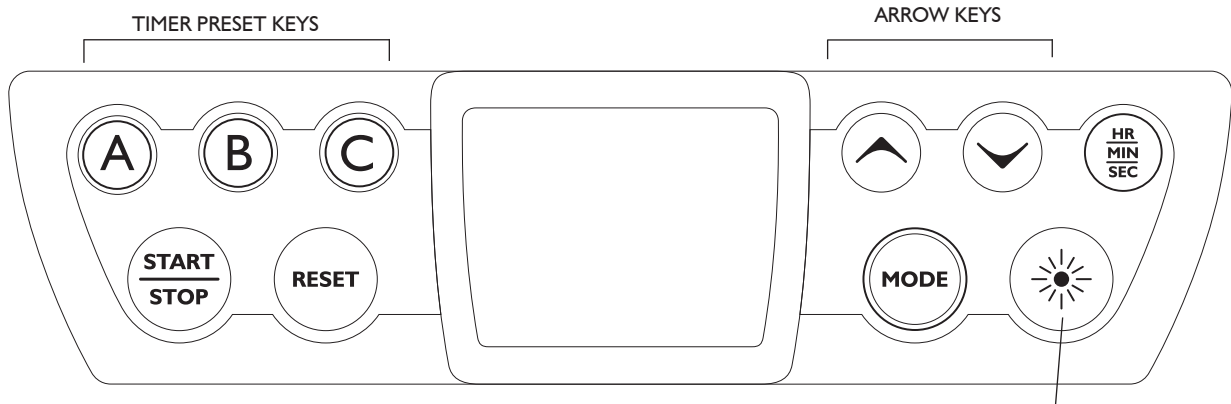


**WARNING:** Do not exceed the breaker rating of the breakers for the circuits dedicated to the outlets in the cabinets. Consult your local electrician for more information.

**SAVE THESE INSTRUCTIONS**

## OPERATION - CLOCK TIMER AND LIGHTING CONTROL

### CONTROLS



**PRESS LIGHT ON/OFF to toggle the LED task lighting on or off**

TASK LIGHT ON/OFF

**SET CLOCK:** Press and hold the “MODE” key for 3 seconds to set the clock.  
Press ARROW UP and ARROW DOWN keys to adjust the hours.  
Press Hr/Min/Sec to Switch to editing minutes, adjust with arrow keys.  
Press Hr/Min/Sec to Switch to editing day of the week, adjust with arrow keys.  
Press Hr/Min/Sec to Switch to editing day of the month, adjust with arrow keys.  
Press Hr/Min/Sec to Switch to editing the month, adjust with arrow keys.  
Press Hr/Min/Sec to return back to editing hours.  
Press RESET to restart at 12:00.  
Exit CLOCK SETTING MODE by pressing START/STOP or MODE.

#### TIMER MODE:

Press MODE once from the CLOCK display to enter TIMER MODE.  
Press ARROW UP and ARROW DOWN keys to adjust minutes, adjust with arrow keys.  
Press Hr/Min/Sec to switch to editing seconds. Adjust with arrow keys.  
Press START/STOP to begin countdown of currently displayed time.  
Press START/STOP to pause the countdown.

#### Using Timer Presets (From Clock or Timer mode)

Press PRESET A, B, or C for quick access to pre-programmed PRESET times.  
Press START/STOP to begin the timer. Press again to pause.

#### Programming Timer Presets

While in Timer Mode, use the arrow keys to adjust the timer to the desired amount of time.  
Press and hold the PRESET A, B, or C key for 3 seconds to store the time into memory.

#### STOPWATCH MODE: Press MODE twice from CLOCK MODE to enter STOPWATCH MODE

Press START/STOP to begin counting up of currently displayed time.  
Press START/STOP to pause the counting.  
Press RESET to return to 00:00.  
Press MODE to go to CLOCK.



**NOTE:** To briefly check the clock time while in TIMER MODE or STOPWATCH MODE, press and hold MODE. Release to return to the previously displayed screen.

## DISINFECTION AND CLEANING

### BARRIER TECHNIQUE

Wherever possible, use disposable barriers and change them between patients. The barrier technique will ensure maximum long-term durability of the surfaces and finishes of the equipment.

### DISINFECTION & STERILIZATION

The Manufacturer will not attempt to specify the required intervals for disinfection nor can it recommend the overall best surface disinfectant. Please refer to the Infection Control Recommendations published by the American Dental Association for further information. The use of chemical disinfecting agents is not necessary if the instrument is going to be sterilized. While their use may be easy and quick, it is important to know the effectiveness of any chemical disinfectant against the various agents of infection that may be encountered.

### CHEMICAL DISINFECTION

Follow the instructions below carefully to ensure the longest life for your equipment:

1. Only use the acceptable disinfectants listed. Use of unacceptable products will void your warranty.
2. Thoroughly wash all areas that have been exposed to disinfectant cleaners with mild soap and warm water at least once per day. This wash down will minimize the harmful effects of chemical disinfectant residues being allowed to accumulate on the equipment.
3. When using chemical disinfectants, always pay strict attention to the manufacturer's disinfectant directions.
4. When using concentrated disinfectants, measure the concentrate carefully and mix according to package directions.
5. Disinfectant solutions that are relatively harmless to surfaces at their recommended strengths can be corrosive at higher than recommended dilution ratios.

#### Conditionally Acceptable Disinfectants

Phthalaldehyde  
Quarternary Ammonium  
Glutaraldehyde



**CAUTION:** These disinfectants will harm the surface finish of dental equipment and are not recommended.

#### Unacceptable:

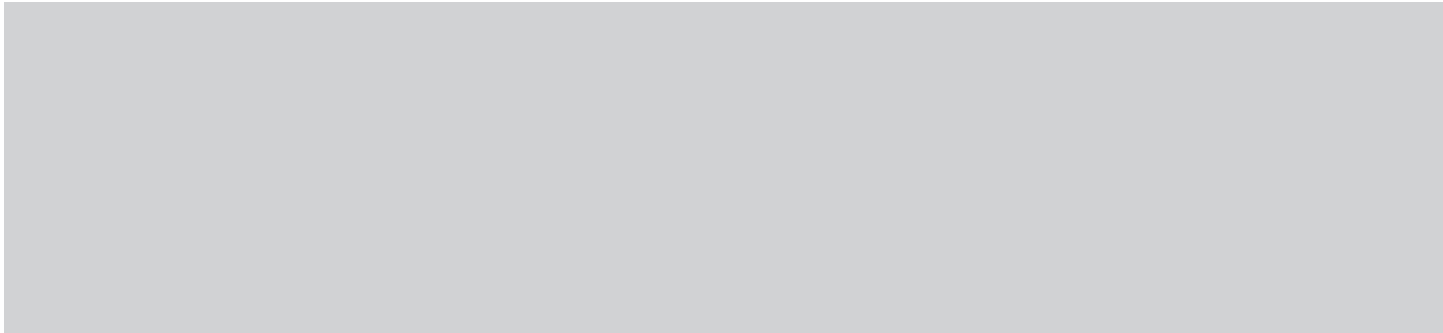
Strong Phenols/Phenol Alcohol combinations  
Sodium Hypochlorite/Household Bleach  
Sodium Bromide  
Strong Alcohol  
Household Cleaners (Dental Equipment Only)  
Citric Acids  
Iodophors  
Ammonium Chloride  
Accelerated Hydrogen (0.5%)

### GENERAL CLEANING


Equipment can be cleaned with a solution of mild detergent and warm water. A variety of surface disinfectants are available for use in dental treatment rooms. Some of these can cause discoloration of painted, plated or anodized surfaces with repeated use. This can be minimized by careful adherence to the disinfectant manufacturer's instructions and by frequent washing with soap and water.



**CAUTION:** Do not use powdered cleansers, scouring pads or abrasive scrubbers on any of the painted, plastic or metal surfaces of this dental unit. To remove dried-on material, use a soft-bristled brush and a solution of mild detergent.



PN 67016, Rev. C, 2022-12-09

 DCI International, LLC  
705 S. Springbrook Road Bldg C  
Newberg, OR 97132, USA