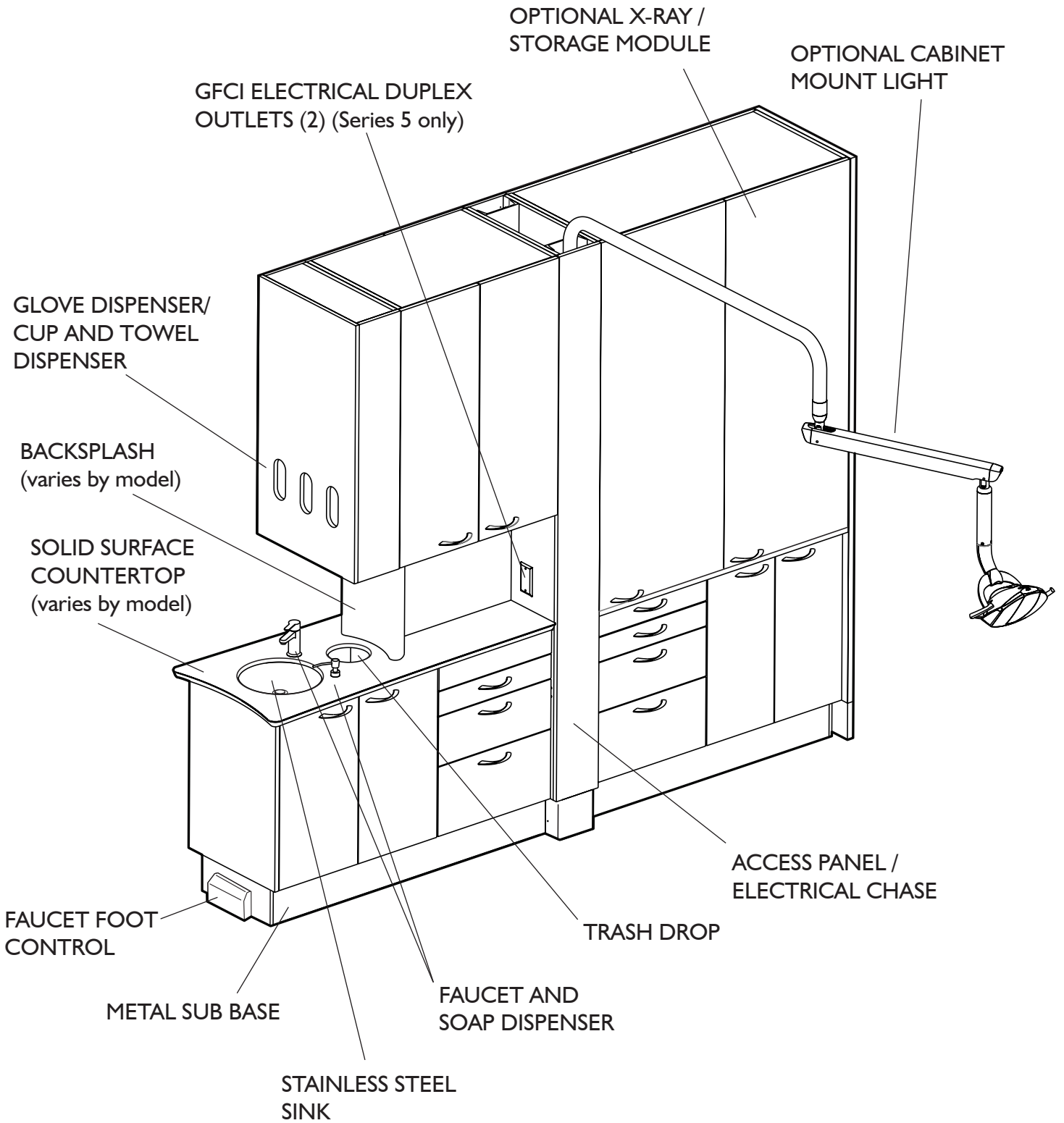


SERIES 4 & SERIES 5
CENTER ISLAND CABINET
Instructions For Use

OVERVIEW



INTRODUCTION

SYMBOLS

The following symbols may be used throughout this product manual:



CAUTION: General Caution. Failure to carefully follow the described procedure may result in damage to the equipment.



WARNING: Failure to carefully follow the described procedure may result in damage to the equipment, the operator, and/or the operator.



ELECTRICAL HAZARD: Risk of electrical shock present. Ensure that power is disconnected before attempting this procedure.



NOTE: Take note of additional important information. Not a warning or caution.



Manufacturer



Manufacturing date



Waste Electrical and Electronic Equipment



Type B Equipment (Protected against electrical shock)



Protective Earth (ground)



Alternating Current



Conforms to applicable European Directives (Essential Requirements)



Electrical Testing Lab



Advisable to consult accompanying documents



Refer to instruction manual/booklet

TABLE OF CONTENTS

System Overview	2
Introduction	3
General Information	4
General Safety	5
Disinfection and Cleaning	6

GENERAL INFORMATION

INTENDED APPLICATION AND USE

The DCI Edge Center Island Cabinet provides storage, work surfaces, and support for dental operatory lights, x-rays, and accessory devices.

PRODUCT IDENTIFICATION

This product can be identified by the label on the left-most interior panel. This label states the model number, serial number, electrical specifications, manufacturing date, and safety classifications.

ENVIRONMENTAL CONDITIONS

Operating Conditions:	Shipping conditions:
Temperature: 67-76° F	Temperature: -68 - 122° F
Humidity: 20-60%	Humidity: 10-90%
Altitude: <5,000 m	

ELECTRICAL OUTLETS

125VAC 20A 60Hz

INCOMPATIBLE DEVICES

For safety reasons, only DCI original devices and accessories approved for this product, or accessories from third parties released by DCI may be used.

PRODUCT DISPOSAL

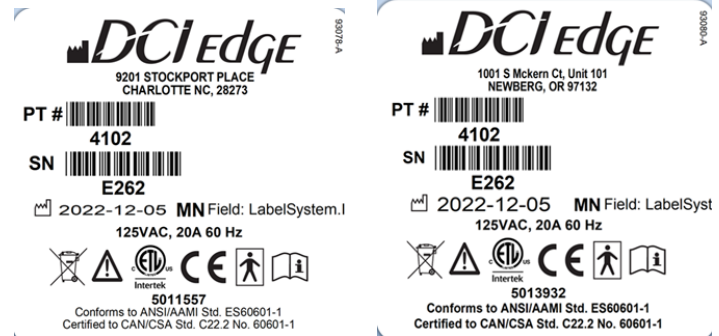
Contact your local, authorized dealer for disposal of this device to ensure compliance with your local environmental regulations.

TECHNICAL DOCUMENTATION

The manufacturer will make available upon request circuit diagrams, component part lists, descriptions, and calibration instructions to technical personnel responsible for the installation and service of this equipment.

PREVENTATIVE INSPECTION

The performance of the equipment can be affected by use over time. Periodically inspect the water and air lines for visible cracks or cuts, and inspect for loose fittings and fasteners which could lead to leaks or other poor performance characteristics. Inspect joints and tensioning screws as a regular maintenance item to ensure proper positioning of the device.



GENERAL SAFETY

IMPORTANT SAFETY INSTRUCTIONS



WARNING: This product must be disinfected before use.



CAUTION: Only authorized service technicians should attempt to service this equipment. Use of other than authorized technicians will void the warranty.



CAUTION: Product must be bolted to the floor before use.



WARNING: To avoid risk of electric shock, this equipment must be connected only to supply mains with protective earth.



WARNING: Modification of this equipment is not allowed.



WARNING: Failure to disinfect this device between patients could expose the user and patient to cross contamination and bioburden/biocontamination.



WARNING: Do not allow children unsupervised access to this cabinet and auxiliary equipment.



WARNING: Use this cabinet only for its intended use as described in these instructions. Do not use attachments not recommended by the manufacturer.



WARNING: Do not use outdoors.



WARNING: Do not plug in ancillary equipment to the external electrical outlets of this cabinet which require a current draw greater than 3 amps.

SAVE THESE INSTRUCTIONS

DISINFECTION AND CLEANING

BARRIER TECHNIQUE

Wherever possible, use disposable barriers and change them between patients. The barrier technique will ensure maximum long-term durability of the surfaces and finishes of the equipment.

DISINFECTION & STERILIZATION

The Manufacturer will not attempt to specify the required intervals for disinfection nor can it recommend the overall best surface disinfectant. Please refer to the Infection Control Recommendations published by the American Dental Association for further information. The use of chemical disinfecting agents is not necessary if the instrument is going to be sterilized. While their use may be easy and quick, it is important to know the effectiveness of any chemical disinfectant against the various agents of infection that may be encountered.

CHEMICAL DISINFECTION

Follow the instructions below carefully to ensure the longest life for your equipment:

1. Only use the acceptable disinfectants listed. Use of unacceptable products will void your warranty.
2. Thoroughly wash all areas that have been exposed to disinfectant cleaners with mild soap and warm water at least once per day. This wash down will minimize the harmful effects of chemical disinfectant residues being allowed to accumulate on the equipment.
3. When using chemical disinfectants, always pay strict attention to the manufacturer's disinfectant directions.
4. When using concentrated disinfectants, measure the concentrate carefully and mix according to package directions.
5. Disinfectant solutions that are relatively harmless to surfaces at their recommended strengths can be corrosive at higher than recommended dilution ratios.

Conditionally Acceptable Disinfectants

Phthalaldehyde
Quarternary Ammonium
Glutaraldehyde



CAUTION: These disinfectants will harm the surface finish of dental equipment and are not recommended.

Unacceptable:

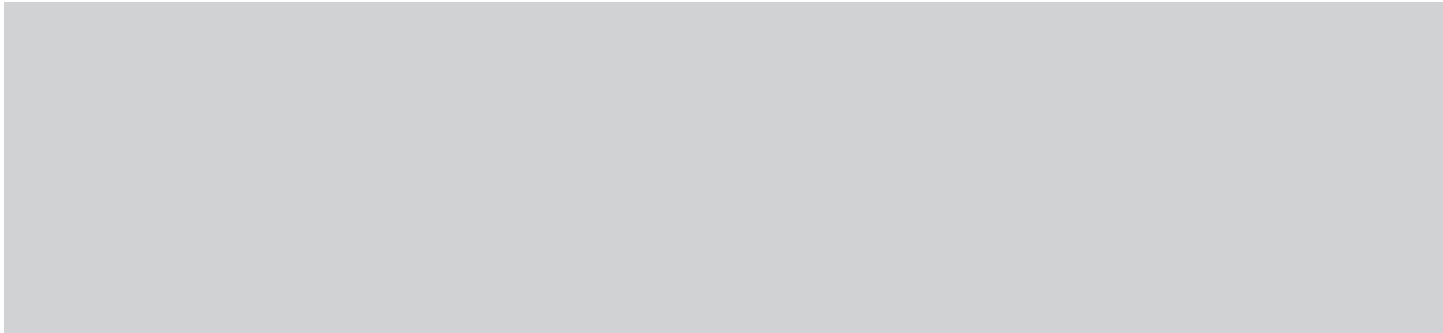
Strong Phenols/Phenol Alcohol combinations
Sodium Hypochlorite/Household Bleach
Sodium Bromide
Strong Alcohol
Household Cleaners (Dental Equipment Only)
Citric Acids
Iodophors
Ammonium Chloride
Accelerated Hydrogen (0.5%)

GENERAL CLEANING

Equipment can be cleaned with a solution of mild detergent and warm water. A variety of surface disinfectants are available for use in dental treatment rooms. Some of these can cause discoloration of painted, plated or anodized surfaces with repeated use. This can be minimized by careful adherence to the disinfectant manufacturer's instructions and by frequent washing with soap and water.



CAUTION: Do not use powdered cleansers, scouring pads or abrasive scrubbers on any of the painted, plastic or metal surfaces of this dental unit. To remove dried-on material, use a soft-bristled brush and a solution of mild detergent.



PN 67018, Rev. C, 2022-12-09



DCI International, LLC
705 S. Springbrook Road Bldg C
Newberg, OR 97132, USA