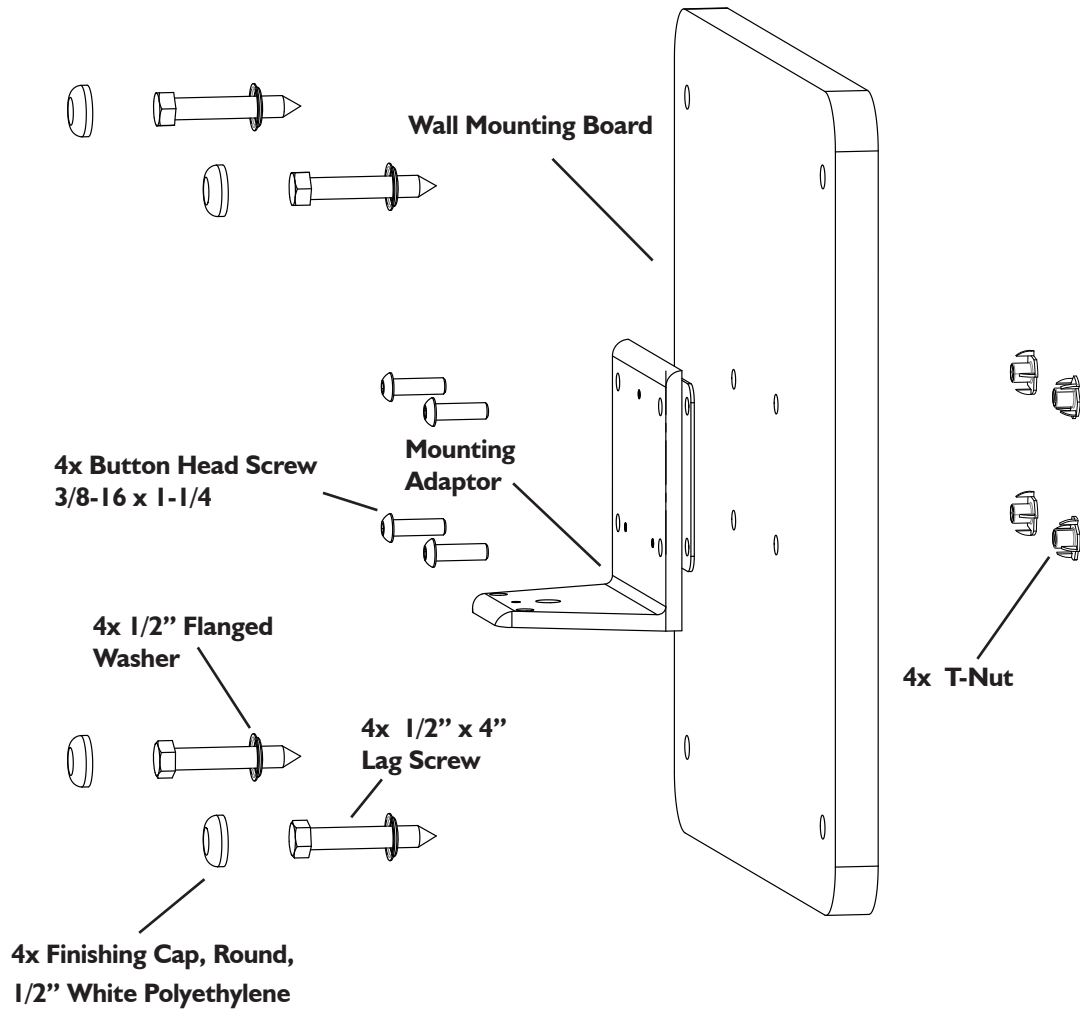


WALL MOUNTING BOARD
Installation Instructions

OVERVIEW



WALL MOUNTING BOARD INSTALLATION

TOOLS NEEDED FOR INSTALLATION

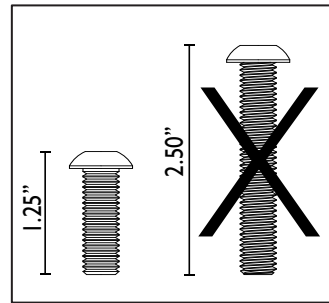
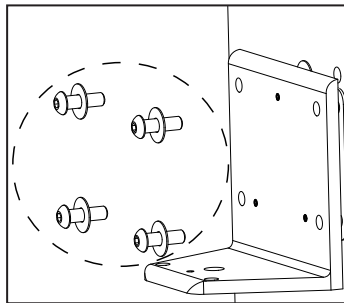
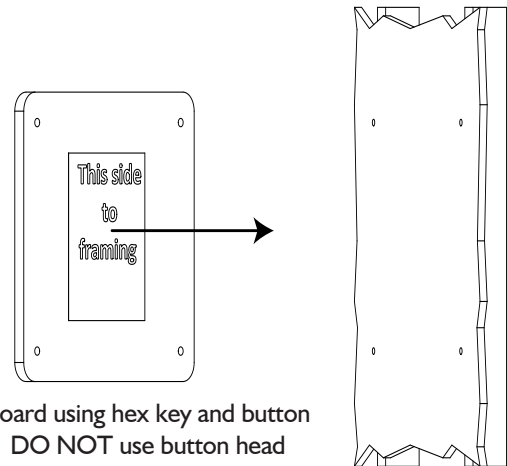
Socket Wrench with 1/2" socket
Electric Drill with 7/16" drill bit
7/32" Hex Key
Level
Tape Measure

INCLUDED HARDWARE

1/2"x 4" Lag Bolts, Qty, 4
3/8"-16x 1-1/4" Button Head Screw, Qty 4
1/2" Flanged Washer, Qty 4
1/2" Finishing Cap, Qty 4

MOUNT THE WALL BOARD

- 1** Identify the wall studs best suited for use to attach the wall board. Ensure that the studs are 16 inches apart from center-to-center.
- 2** Use the template provided to mark the hole centers on your wall, pre-drill holes through dry wall and into stud using 7/16" drill bit.
- 3** Using the supplied lag bolts, flanged washers, and a socket wrench, attach the wall board to the wall ensuring the side of the board marked with a sticker is facing toward the wall. Tighten the bolts until there is no play in the wall board.
- 4** Using a level, ensure that the mounted wall board is level side-to-side and front-to-back. Snap finishing caps onto lag bolts.
- 5** Attach mounting adapter (found in side delivery kit) to wall board using hex key and button head screws provided in wall mounting board installation kit. **DO NOT** use button head screws provided in **Side Delivery Installation Kit**.



WARNING: Failure to attach the wall board with the supplied lag bolts and the label facing the wall as shown could result in serious injury to the patient or operator.

