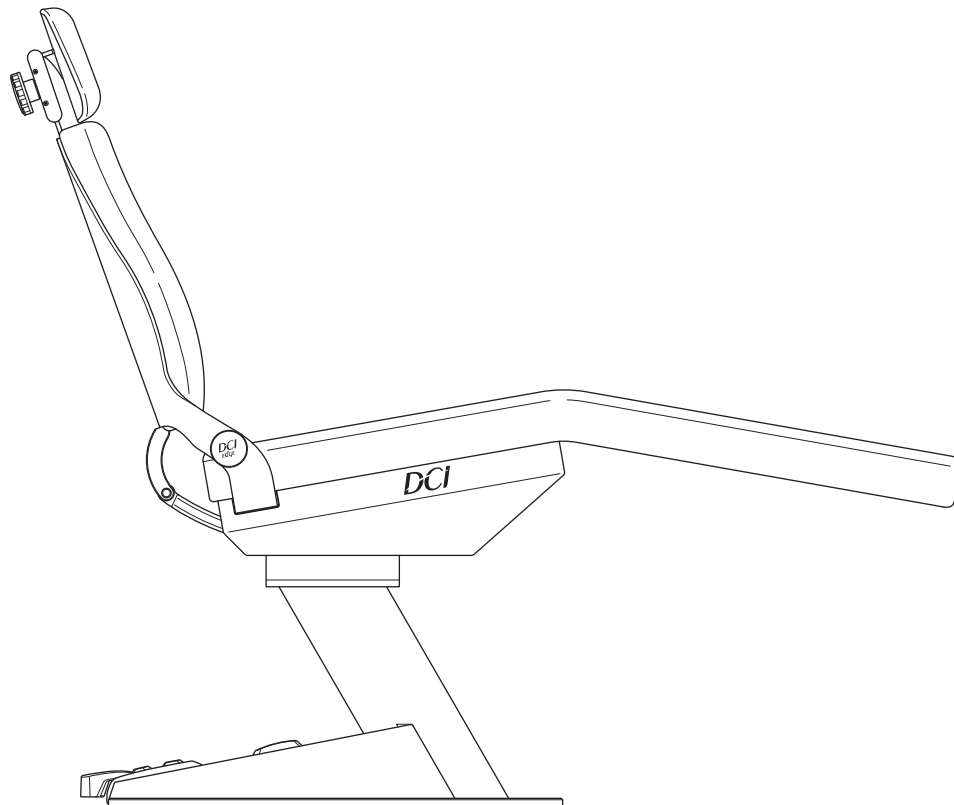
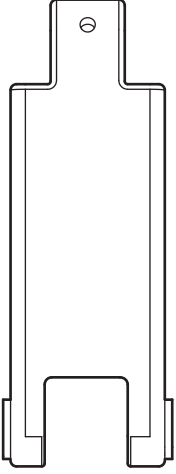
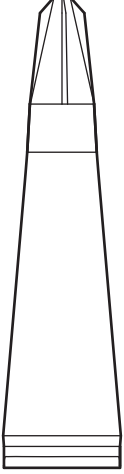
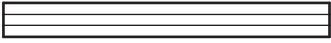
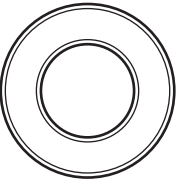
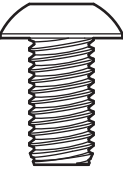
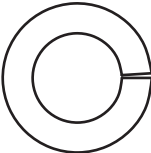
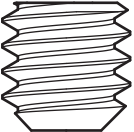


ORTHODONTIC CHAIR PRODUCT IMPROVEMENT KIT

Installation Instructions



OVERVIEW

INCLUDED PARTS			
<p>Back Link Assembly</p>  <p>x1</p>	<p>Loctite Superbond 409</p>  <p>x1</p>	<p>Anti-Scrape Trim</p>  <p>x1</p>	
<p>Transverse Bar Spacer</p>  <p>x2</p>	<p>Button Head Screw 10-32 x 3/8</p>  <p>x8</p>	<p>Split Lock Washer #10</p>  <p>x8</p>	<p>Set Screw 1/4"-20 x 1/4"</p>  <p>x1</p>

INTRODUCTION

BEFORE YOU BEGIN

Verify that the product you have received is the correct one for mounting to your intended DCI Edge delivery unit.

Review the applicable section of this booklet and check to ensure that you have the correct tools needed to perform the installation as shown in the “Tools Needed” section.

Ensure that all parts are present as shown in the “Included Tools” and “Included Parts” sections.

TABLE OF CONTENTS

Overview	2
Introduction	3
Installation	5

SYMBOLS USED IN THIS MANUAL

The following symbols may be used throughout this product manual:



WARNING: Failure to carefully follow the described procedure may result in damage to the equipment or the operator.



CAUTION: Failure to carefully follow the described procedure may result in damage to the equipment.



NOTE: Take note of additional important information. Not a warning or caution.



ELECTRICAL HAZARD: Risk of electrical shock present. Ensure that power is disconnected before attempting procedure.

REGULATORY INFORMATION

Regulatory information is delivered with DCI Edge dental equipment as mandated by agency requirements and can be found in the accompanying Instructions for Use for this device.

INTRODUCTION

TOOLS NEEDED FOR INSTALLATION

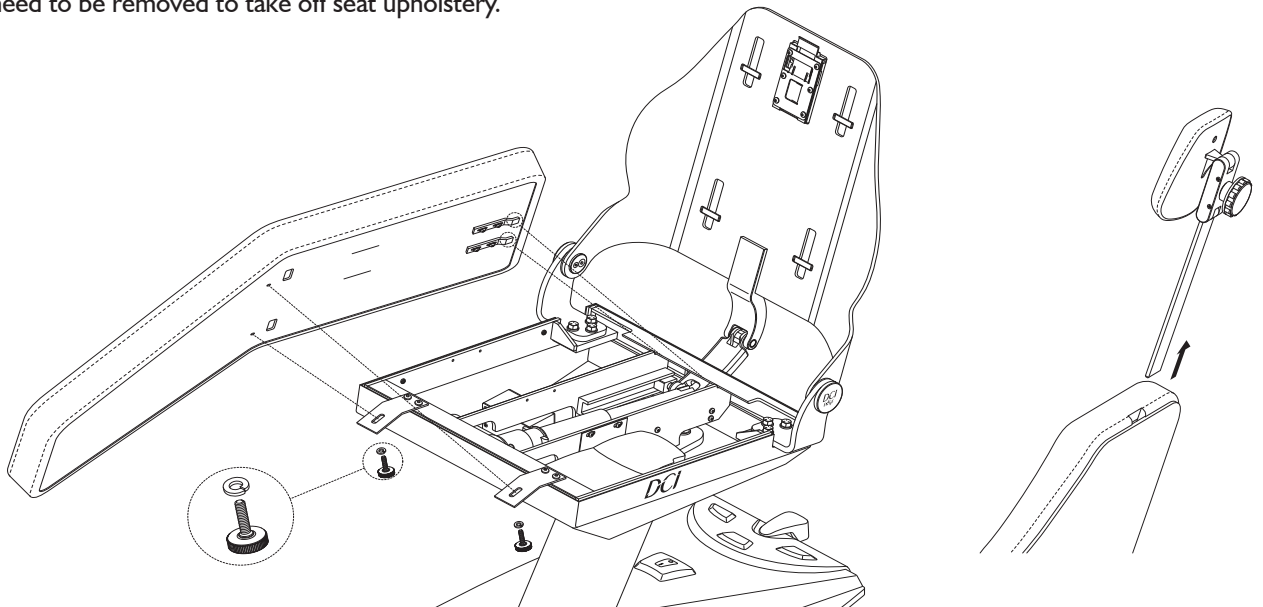
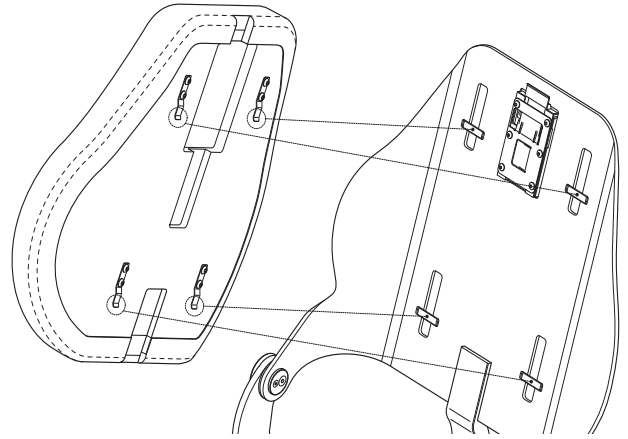
1/8" Hex Driver

INCLUDED PARTS

- 1 - Anti-Scrape Trim
- 1 - Loctite Superbond 409
- 2 - Transverse Bar Spacer
- 1 - Chair Back Link
- 8 - Button Head Screw, 10-32 x 3/8"
- 8 - Split Lock Washer, #10
- 1 - Set Screw, 1/4"-20 x 1/4"

PREPARATION

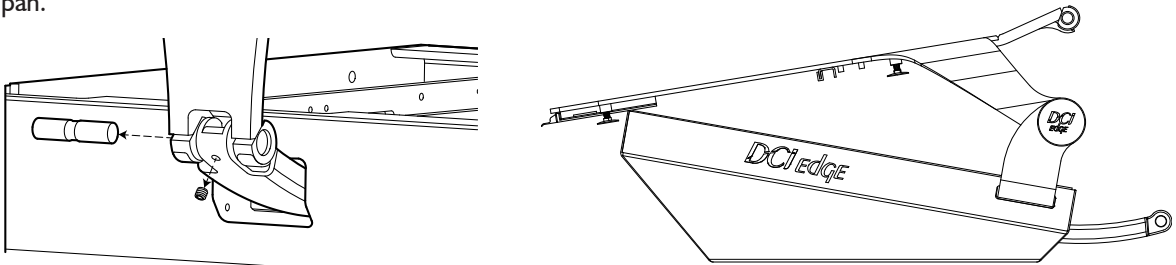
- 1 Move backrest to the upright position.
- 2 Remove headrest and upholstery from the backrest and seat. Thumb screws and lock washers on the underside of the seat substrate need to be removed to take off seat upholstery.



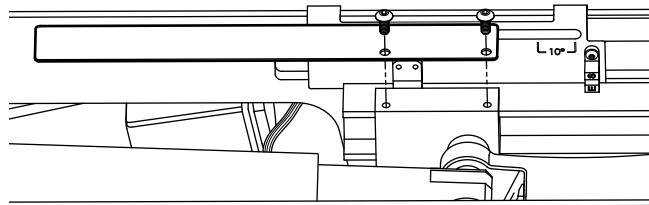
INSTALLATION

REMOVE PARTS

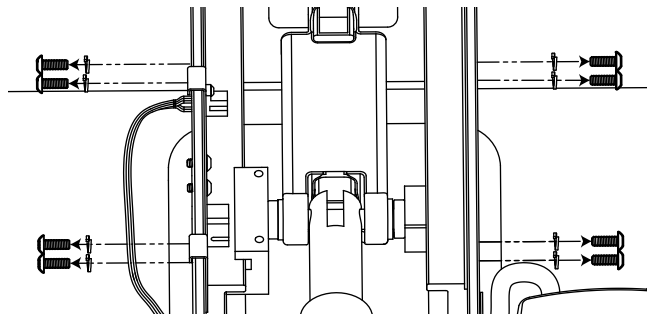
- 1 Loosen set screw on the back side of the back link using a 1/8" hex key. Then, remove the pin connecting the backlink to the chair. Pivot the backrest forward and let it rest on the front of the seat pan.



- 2 Retract back link so that it is completely inside of the seat pan by using the recline function for the backrest. Loosen screws found on the optical sensor tab using a 1/8" hex key and remove the optical sensor tab. Disconnect power from chair to prevent accidental and unwanted movements in the chair.



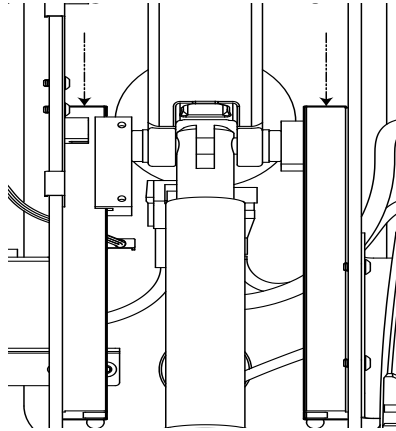
- 3 Remove the 8 screws and 8 lock washers holding the guide rails using a 1/8" hex key.



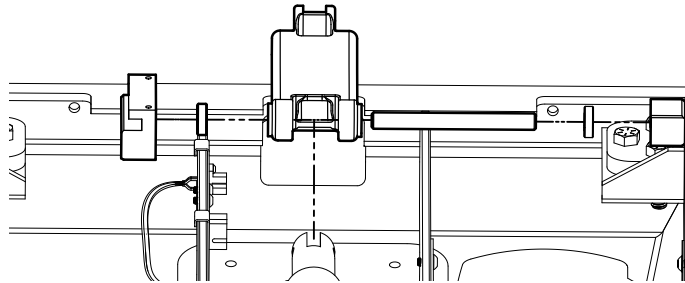
INSTALLATION

REMOVE PARTS

- 4** Slide guide rails forward past the guide blocks and remove them from the assembly.



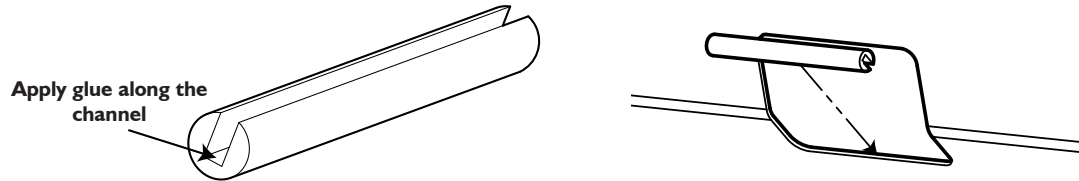
- 5** Remove the guide block and spacer from one side of the back link, then do the same to the other side. Once the guide blocks and spacers are removed, pull the pin out of the back link and remove the back link.



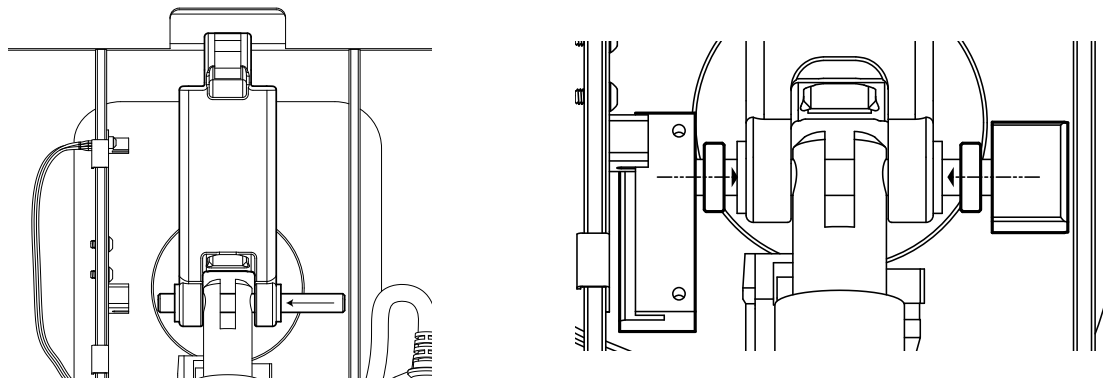
INSTALLATION

REPLACE PARTS

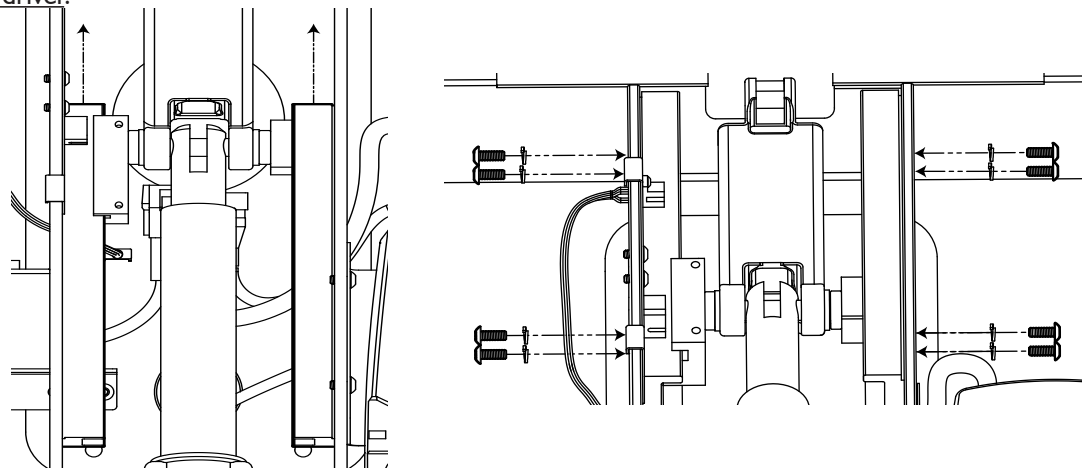
- 1 Apply super glue to the channel of the edge trim and place the edge trim on the lower edge of the cut-out of the seat pan. Allow at least 30 seconds for glue to dry.



- 2 Install new back link to the motor using the pin that was removed in step 3. Then, reinstall guide blocks and spacers to both sides of the back link.



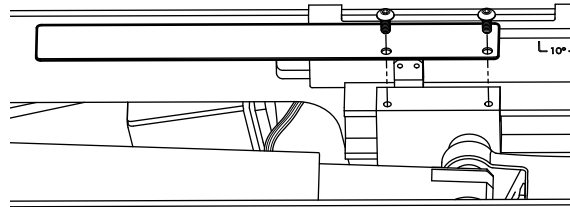
- 3 Reinstall guide rails to the seat pan by sliding them over the guide blocks, then fasten the guide rails to the frame of the seat pan using the 8 lock washers and 8 screws provided. Tighten screws using a 1/8" hex driver.



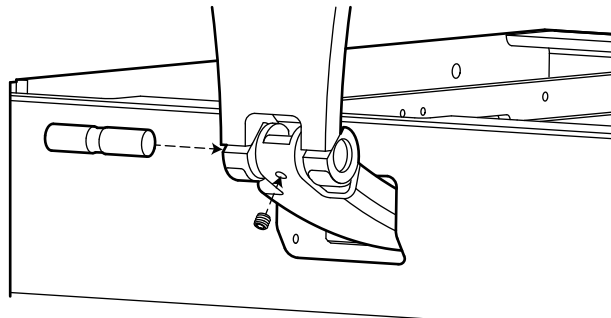
INSTALLATION

REPLACE PARTS

- 4** Reinstall the optical sensor tab that was removed in step 2 of the Remove Parts section on this document. Tighten screws that hold tab using a 1/8" hex driver.



- 5** Reconnect chair to power and use the backrest up function and guide the backlink through the cutout of the seat pan. Once the motor has reached the top most position connect, the backlink to the backrest using the pin and set screw that were removed in step one of the Remove Parts section. Tighten set screw using a 1/8" hex driver.



Once backrest is installed to the back link reconnect the chair to power and reinstall upholstery that was removed in the Preparation section.

