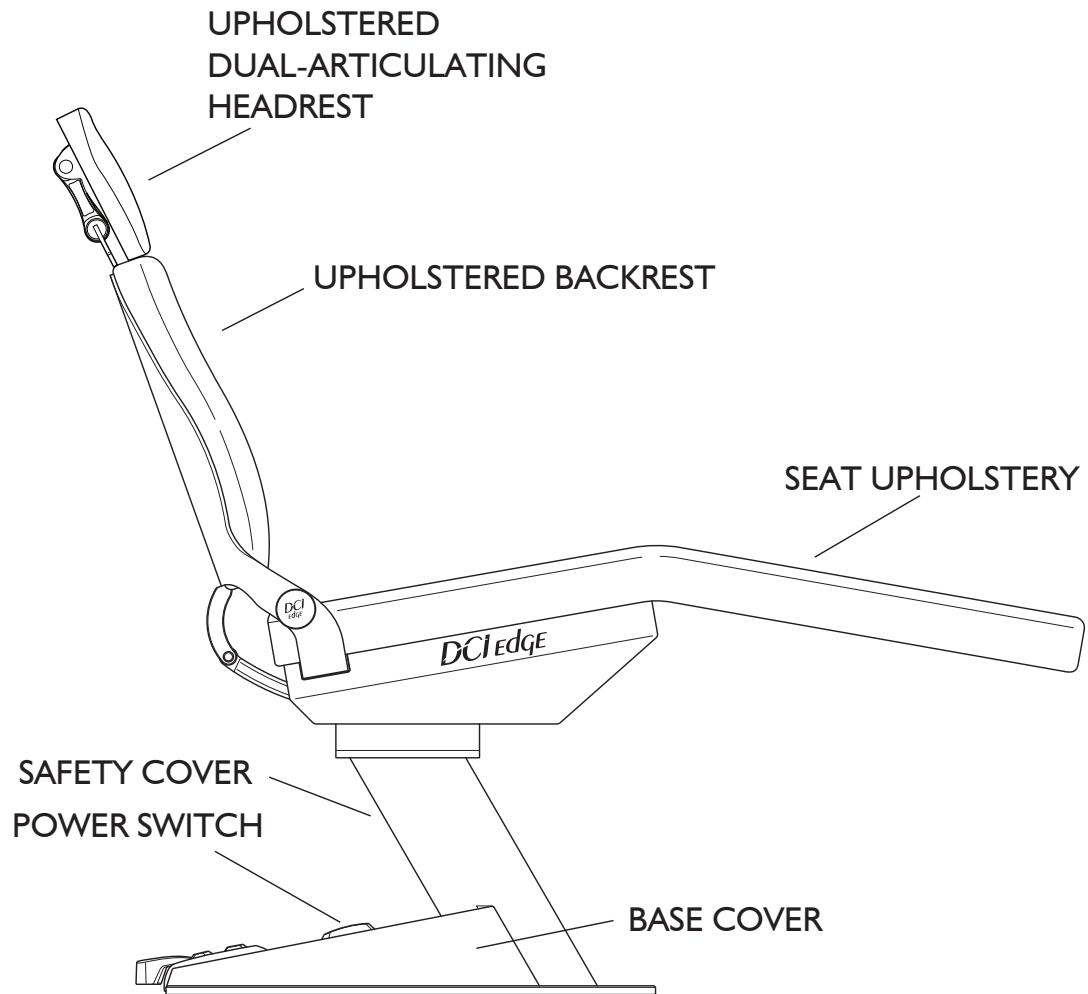


ORTHODONTIC CHAIR

OVERVIEW

MODEL:
C1050 Ortho Chair, Fixed Base with Adjustable Back



INTRODUCTION

SYMBOLS

The following symbols may be used throughout this product manual:



CAUTION: General Caution. Failure to carefully follow the described procedure may result in damage to the equipment.



WARNING: Failure to carefully follow the described procedure may result in damage to the equipment, the operator, and/or the operator.



ELECTRICAL HAZARD: Risk of electrical shock present. Ensure that power is disconnected before attempting this procedure.



NOTE: Take note of additional important information. Not a warning or caution.



Manufacturer



Manufacturing Date



Type BF Applied Part



Electrical Testing Lab



Power OFF



Power ON



Protective Earth (ground)



Alternating Current



Advisable to consult accompanying documents



Refer to instruction manual/booklet



Waste Electrical and Electronic Equipment



Conforms to applicable European Directives (Essential Requirements)



Conforms to applicable UK Directives (Essential Requirements)



Backrest Movement Position



Home Position



Unique Device Identifier



Medical device

TABLE OF CONTENTS

Overview	2
Introduction	3
General Information	4
General Safety	6
Operation - Foot Pad	7
Operation - Headrest	8
Optional Outlet	9
Maintenance	10
Electromagnetic Compatibility	12

GENERAL INFORMATION

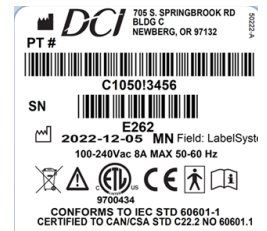
INTENDED APPLICATION AND USE

The DCI Edge orthodontic chair is a device intended to position the patient in such a manner to provide to the orthodontic practitioner visual and manual access to the oral cavity. This device should provide for the ergonomic necessities of most patients, both adults and children, throughout its range of movement. The device shall also be the means of supporting a dental light and other dental accessories.

The dental chair is classified as Class I device under rule FDA CFR 21 and a Class I device under EU/MDR 2017/745.

PRODUCT IDENTIFICATION

The DCI Edge Orthodontic Chair can be identified by the label on the upper chassis. This label states the model number, serial number, electrical specifications, and manufacturing date.



ELECTRICAL SPECIFICATIONS

115VAC	IEC Medical Classification I
10 Amps	TYPE: B Chair upholstery
60Hz	Operation: Intermittent
	Duty Cycle: 20 Seconds ON, 5 Minutes OFF
	Splash Protection: IPX0

ENVIRONMENTAL CONDITIONS

Operating Conditions:
Temperature: 67-76° F
Humidity: 20-60%
Altitude: <5,000 m

Shipping conditions:
Temperature: -68 - 122° F
Humidity: 10-90%

ELECTRICAL DEVICE INTERFERENCE

To guarantee the operational safety of electromedical devices, it is recommended that the operation of mobile radio telephones in the medical practice or hospital be prohibited. Strong EMI sources such as electro surgery dental delivery systems or x-ray dental delivery systems may affect performance. If performance problems occur, move the chair to another electrical circuit or physical location.

INCOMPATIBLE DEVICES

For safety reasons, only DCI original devices and accessories approved for this product or accessories from third parties released by DCI may be used.

TECHNICAL DOCUMENTATION

The manufacturer will make available upon request circuit diagrams, component part lists, descriptions, and calibration instructions to technical personnel responsible for the installation and service of this equipment.

PRODUCT DISPOSAL

Contact your local, authorized dealer for disposal of this device to ensure compliance with your local environmental regulations.



NOTE: In the event of a serious incident, whether it involves injury, harm, or any unexpected adverse effects experienced while using our device, we kindly request that you immediately notify our company and the competent authority of the Member State in which the user and/or patient is established.

GENERAL INFORMATION

PREVENTATIVE INSPECTION

The performance of the equipment can be affected by use over time. Inspect joints and tensioning screws as a regular maintenance item to ensure proper positioning of the device. See **“Maintenance”** section of this manual for detailed instructions.

PRE-USE REQUIREMENTS

All operators of this device must read this document in its entirety before use.

Inspect the chair for signs of wear or damage before use. Do not use the chair if any components appear loose, broken, or malfunctioning.

Ensure that all installation steps are completed by a trained technician as described in the Installation Instructions for this device. Only trained dental professionals should handle adjustments. Discontinue use immediately and contact a qualified technician if the chair exhibits any signs of electrical malfunction (for example, unusual noises, smells, or visible damage).

Ensure all functions and features as defined in the **“Operation”** sections of this manual are operating properly. Check and securely lock headrests and other support components before seating the patient. Avoid excessive force when adjusting to prevent damage or detachment. Verify that the patient is comfortably and securely positioned before making any adjustments. Pay special attention when seating pediatric patients or those with limited mobility to ensure their limbs are safely positioned.

Follow the instructions on cleaning and disinfecting in the **“Maintenance”** section of this manual before first time use of this device.

Ensure that all staff responsible for the maintenance, disinfection, and cleaning of this device are fully trained on the information provided in the **“Maintenance”** section of this manual.

GENERAL SAFETY

WARNINGS & CAUTIONS



WARNING: This product must be disinfected before use.



CAUTION: Only authorized service technicians should attempt to service this equipment. Use of other than authorized technicians will void the warranty.



CAUTION: Use a licensed electrician for all wiring.



ELECTRICAL HAZARD: To avoid risk of electric shock, this equipment must be connected only to supply mains with protective ground.



WARNING: Modification of this equipment is not allowed.



WARNING: Failure to disinfect this device between patients could expose the user and patient to cross contamination and bioburden/biocontamination.



WARNING: Power cords and their associated parts cannot be substituted without increased risk of shock or fire. Use authorized replacement parts only. Power cords must be installed by qualified personnel. Ensure all service loops, strain reliefs and cord guards are in place and that line, neutral and ground wires are secured.



WARNING: Maximum load capacity is 350lbs. Do not exceed this limit. Doing so may cause personal injury and/or damage to the chair.



WARNING: To avoid possible injury and/or damage to the chair, do not apply full body weight on the headrest, backrest, toeboard and armrest. Doing so may cause the chair to tip.



WARNING: To isolate from mains power, unplug the cord. Make sure to leave the mains cord accessible.



WARNING: Do not connect extension cords or power strips to the electrical outlet underneath the seat upholstery.



WARNING: Do not sit on the backrest or the toe end of the seat. These sections are not designed to support the full weight of patient.



WARNING: Do not allow children unsupervised access to the dental chair and auxiliary equipment.



NOTE: This product is intended for use by trained dental/orthodontic professionals only.

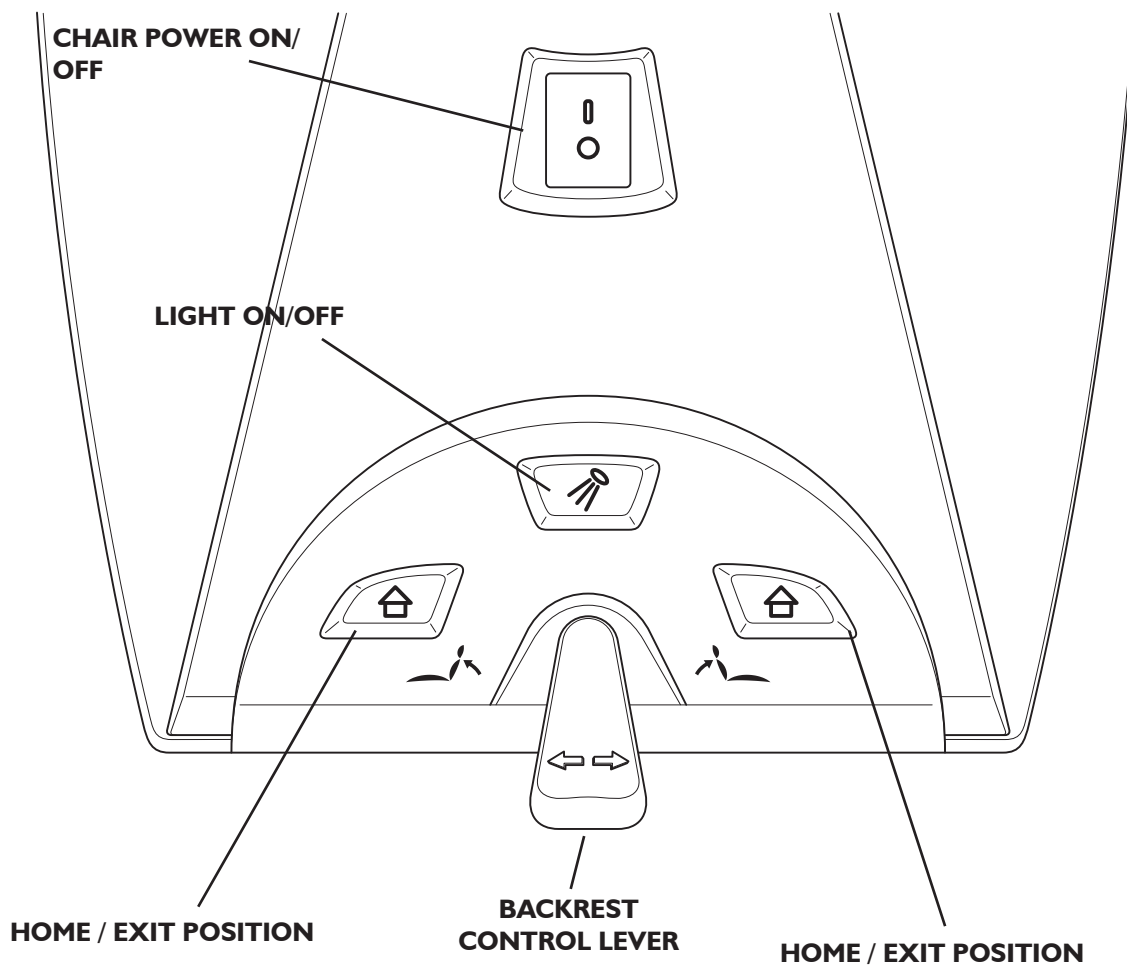
OPERATION - FOOT PAD

CONTROLS

Control the backrest and power to the light using the Foot Pad which is located on the base of the chair.

FOOT PAD

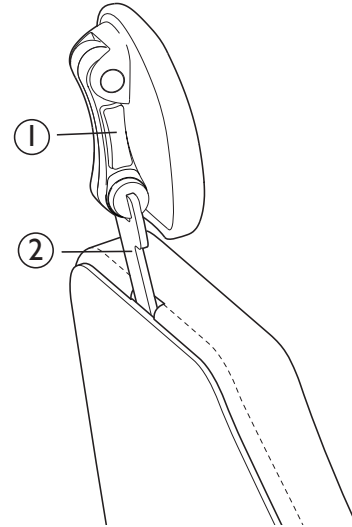
- **BACKREST INCLINE:** Raise the backrest by pushing the lever with your foot to the right.
- **BACKREST RECLINE:** Lower the backrest by pushing the lever with your foot to the left.
- **LIGHT ON/OFF (OPTIONAL):** If there is a light connected to this chair, it can be powered on and off using the button indicated by the light symbol.
- **HOME / EXIT POSITION:** Return the backrest to exit position using the button indicated by the home symbol.



OPERATION - HEADREST

DUAL ARTICULATING MECHANISM

Reposition the headrest by first supporting the Headrest Bar (right image, item 2) with one hand and then pressing and holding the Headrest Button (right image, item 1) with the other hand to release the lock. Once the lock has been released, both pivot points will rotate freely and allow for adjusting both the elevation and the tilt of the headrest. Release the Headrest Button to lock the new headrest position.



HEADREST BAR

REPOSITIONING

Reposition the height of the headrest so that it aligns to the patient's head by lifting up on the headrest. The tensioning mechanism on the headrest bar will allow the headrest to hold in position. Do not remove the headrest beyond the marked line on the headrest bar when a patient is seated.

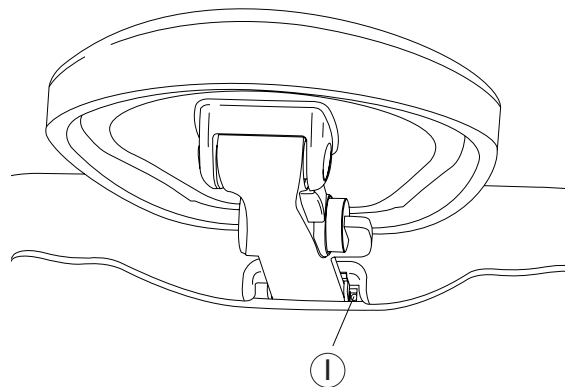


WARNING: Removal of the headrest past the printed line could result in injury to the doctor or patient.

WARNING:
DO NOT REMOVE
PAST THIS LINE

TENSION ADJUSTMENT

Increase or decrease the tension on the headrest bar by using a hex wrench to tighten or loosen the Tension Adjustment Screw (below, item 1) beside the opening for the headrest bar at top of the backrest.



OPTIONAL OUTLET

ELECTRICAL OUTLETS

There is an electrical outlet underneath the seat upholstery for powering an operatory light.

The electrical outlet is rated at a maximum of 3 amps. Only equipment rated for less than 3 amps should be used. If the 3 amp circuit breaker should open, reset it by pressing the reset button.



WARNING: Do not connect extension cords or power strips to the electrical outlet.

MAINTENANCE

BARRIER TECHNIQUE

Wherever possible, use disposable barriers and change them between patients. The barrier technique will ensure maximum long term durability of the surfaces and finishes of the equipment.



NOTE: It is very important that all staff responsible for the maintenance, disinfection, and cleaning of this device are fully trained on the information provided in this section.

CLEANING

Dental equipment, categorized as noncritical devices with low risk of infection transmission, come into contact only with intact skin. Before applying disinfectant, clean the surfaces with a mild detergent and a clean cloth to remove unwanted dirt and debris.

CHEMICAL DISINFECTION

Follow the instructions below carefully to ensure the longest life for your equipment:

1. Only use the acceptable disinfectants listed. Use of unacceptable products may void your warranty.
2. When applying chemicals with a spray bottle, **do not spray surfaces directly**. Instead, spray a cloth and then wipe the surfaces with the wet cloth.
3. When using chemical disinfectants, always pay strict attention to the manufacturer's disinfectant directions.
4. When using concentrated disinfectants, measure the concentrate carefully and mix according to package directions. **Disinfectant solutions at higher than recommended dilution ratios are extremely corrosive.**
5. Thoroughly wash all areas that have been exposed to disinfectant cleaners with mild soap and warm water at least once per day. This wash down will minimize the harmful effects of chemical disinfectant residues being allowed to accumulate on the equipment.

Conditionally Acceptable Disinfectants

- Phthalaldehyde
- Quaternary Ammonium
- Glutaraldehyde



CAUTION: These disinfectants will harm the surface finish of dental equipment and are not recommended.

Unacceptable:

- Strong Phenols/Phenol Alcohol combinations
- Sodium Hypochlorite/Household Bleach
- Sodium Bromide
- Strong Alcohol
- Household Cleaners (Dental Equipment Only)
- Citric Acids
- Iodophors
- Ammonium Chloride
- Accelerated Hydrogen (0.5%)

MAINTENANCE

GENERAL CLEANING

Equipment can be cleaned with a solution of mild detergent and warm water. A variety of surface disinfectants are available for use in dental treatment rooms. Some of these can cause discoloration of painted, plated or anodized surfaces with repeated use. This can be minimized by careful adherence to the disinfectant manufacturer's instructions and by frequent washing with soap and water.



CAUTION: Do not use powdered cleansers, scouring pads or abrasive scrubbers on any of the painted, plastic or metal surfaces of this dental delivery system. To remove dried-on material, use a soft-bristled brush and a solution of mild detergent.



NOTE: Follow the manufacturer's recommended maintenance schedule, including regular inspections and servicing by qualified technicians.

CLEANING UPHOLSTERY



WARNING: In order to mitigate the risk of cross-contamination between patients, disinfection and sterilization of handpieces **must occur after each dental procedure**. Refer to the handpiece manufacturer's instructions and recommendations for sterilization or disinfection procedure.

NORMAL CLEANING

Mix a solution of 10 percent liquid dish soap with warm water and apply to the upholstery with a soft, damp cloth. Rinse with clean water and wipe dry. Cleaning frequency depends upon use. It is recommended that upholstery be cleaned between patients.

STAINS

Stubborn Stains

Use detergent cleaners such as Formula 409 or Fantastik. Wipe using a soft cloth or bristle brush. Rinse with clean water and wipe dry.

More Difficult Stains

Carefully clean the stained area with lighter fluid (naphtha) or rubbing alcohol. Apply with a soft white cloth and rub gently. Rinse with clean water and wipe dry.

OTHER TIPS

Always apply cleaners with a soft white cloth. Avoid the use of paper towels. When using strong cleaning solutions such as alcohol, it is advisable to first test in an inconspicuous area. Never use harsh solvents or cleaners that are intended for industrial use. To restore luster, a light coat of spray furniture wax may be used. Apply to chair and allow to set for 30 seconds. Lightly buff dry with a clean, dry cloth.

ELECTROMAGNETIC COMPATIBILITY

DEVICE COMPATIBILITY

ELECTRICAL MEDICAL

Electrical medical devices are subject to special EMC safety measurements and as a result the equipment must be installed according to the installation instruction manual.

PORTABLE ELECTRONIC DEVICES

Portable and mobile high frequency electronic communications equipment may interfere with electronic medical devices.

STATIC SENSITIVE DEVICES

Where labeled this equipment contains static sensitive devices that require special precautions when handling. At a minimum a grounded wrist strap that is connected to a ground stud should be worn to reduce the possibility of damage.

ACCESSORY USE

Using accessory devices not specified by DCI for use with their equipment may result in an increase of electromagnetic emissions and/or a decrease in electromagnetic immunity of the system.

INTERFERENCE FROM OTHER EQUIPMENT

If other equipment is used adjacent to or stacked with the DCI Edge equipment, the system must be observed to verify normal operation.

DCI EDGE EQUIPMENT COMPLIANCE

This equipment has been tested and found to comply with the limits for medical devices in IEC 60601-1-2. These limits are designed to provide reasonable protection against harmful interference in a typical medical installation. In the event of interference, power the devices from separate mains supplies and/or increase the physical distance between devices. Contact Customer Service if you have any questions.

